

TEMPLATE NO.

17171



1351 Rocky Point Drive
Oceanside, CA 92506
(323) 262-4191
www.trimcohardware.com

PRODUCT

1214/1214H
1268 ANCHORPLATE

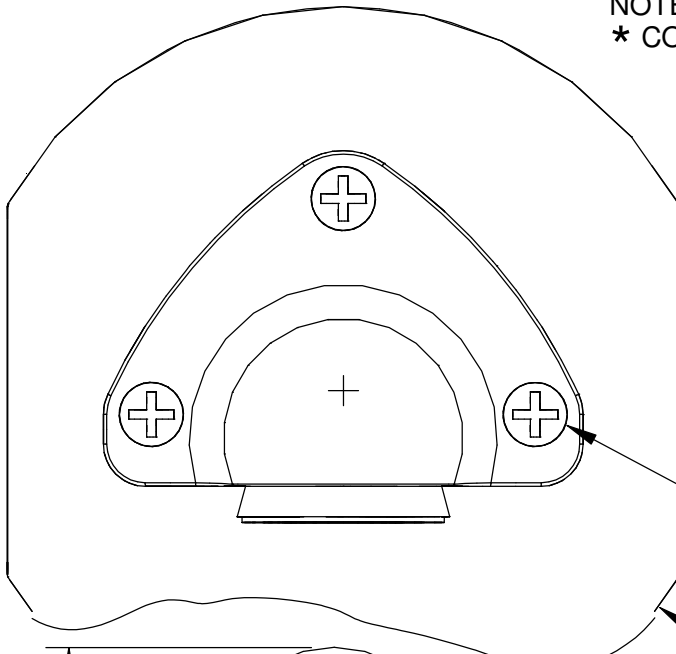
NOTES:

* COMBINATION PACKAGED FOR CONCRETE OR WOOD

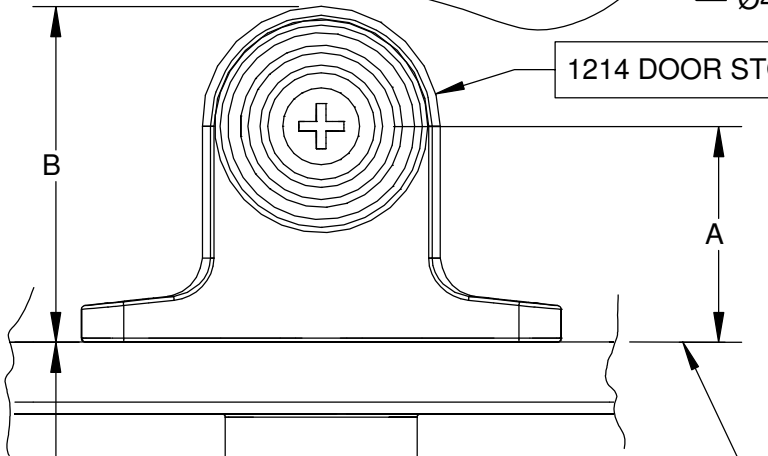
| TRIMCO P/N | A | B |
|------------|---------|--------|
| 1214 | 1-1/8" | 1-3/4" |
| 1214H | 1-9/16" | 2-1/4" |

INSTALLATION INSTRUCTIONS:

1. BORE A 4" DIAMETER HOLE AT LEAST 4" DEEP.
2. FILL HOLE WITH "QUICK-CRETE".
FLOAT 1214/1214H DOOR STOP AND 1268 PLATE ANCHOR INTO "QUICK-CRETE" KEEPING TOP OF ANCHOR PLATE FLUSH WITH FLOOR.
3. FOR FURTHER INSTRUCTIONS SEE "TRIMCO" TEMPLATE # 17061.



(3) #8-32 X 1/2" FH,PH,MS



1214 DOOR STOP

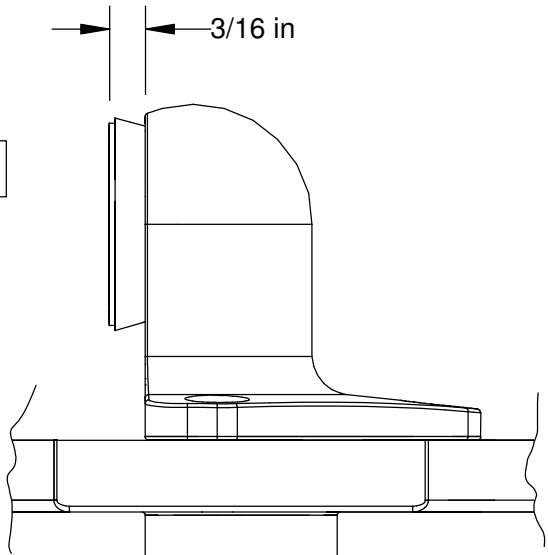
B

A

TO BE FLUSH WITH
CONCRETE FLOOR

3 3/4 in

1268 ANCHOR PLATE



3/16 in

NOTE: This template is provided for use only on the job for which it was requested. Trimco reserves the right to make design changes without notice. Trimco will not be responsible for errors or damage caused by the use of out-of-date templates.

DATE

08/03/17