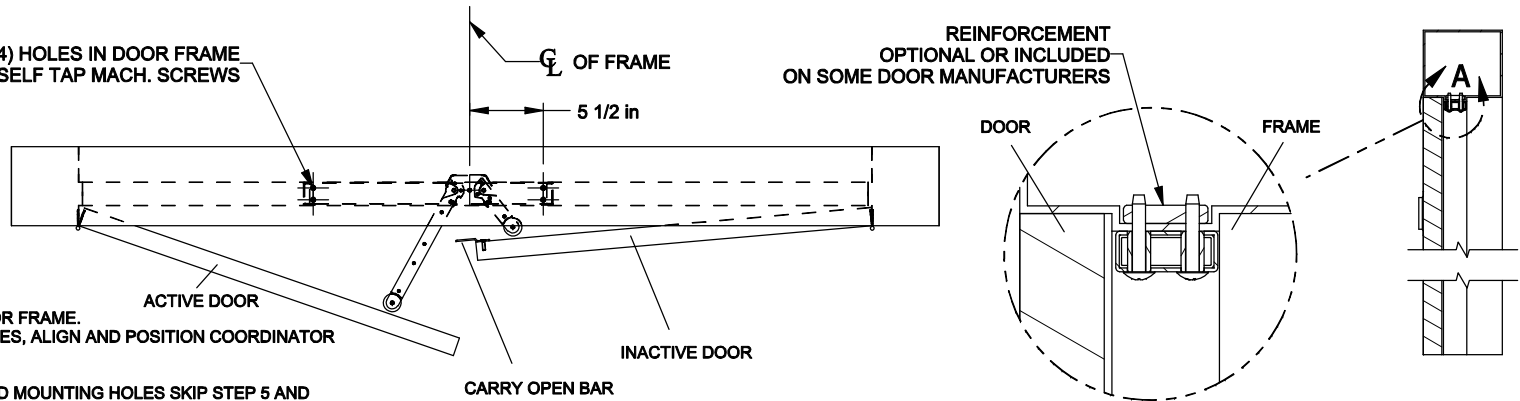


FRAME PREPARATION INSTRUCTIONS

1 PREPARE FRAME

PREP (4) HOLES IN DOOR FRAME
FOR #12-24 SELF TAP MACH. SCREWS

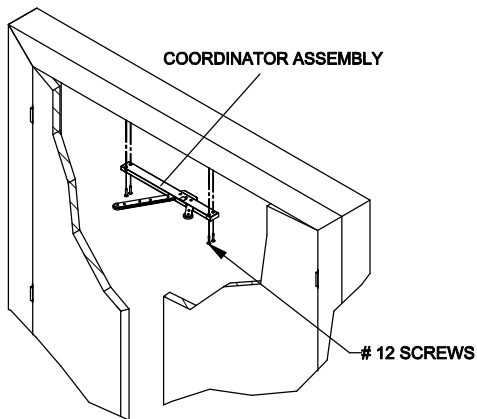


1. MEASURE AND MARK CENTER OF DOOR FRAME.
2. USING COORDINATOR MOUNTING HOLES, ALIGN AND POSITION COORDINATOR AT THE CENTER OF FRAME.
3. MARK ALL (4) FOUR HOLE LOCATIONS.
4. FOR DOOR FRAMES WITH PRE-DRILLED MOUNTING HOLES SKIP STEP 5 AND CONTINUE ON STEP 6.
5. FOR NEW PREP DOORS. USING 5/32 DRILL BIT, DRILL PILOT HOLES ON THE FRAME. FOR METAL DOOR, DRILL ALL FOUR (4) HOLES THROUGH. FOR WOOD DRILL 1/2" DEPTH PILOT HOLE FOR MOUNTING.
6. PLACE SCREW AND MOUNT COORDINATOR.

DETAIL A

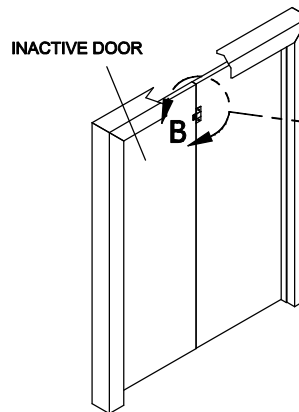
INSTALLATION INSTRUCTIONS

1 INSTALL COORDINATOR ASSEMBLY

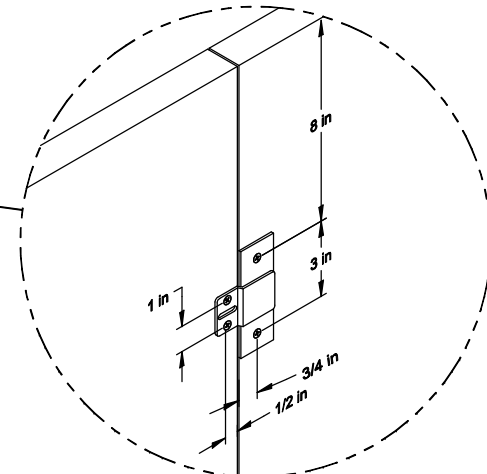


INSTALL COORDINATOR WITH CORRECT FASTENER FOR METAL OR WOOD FRAME.

2 INSTALL CARRY OPEN BAR P/N: 3090 (OPTIONAL)



INSTALL CARRY OPEN BAR AS SHOWN ON STEP NO.1. USING FASTENERS PROVIDED.



DETAIL B