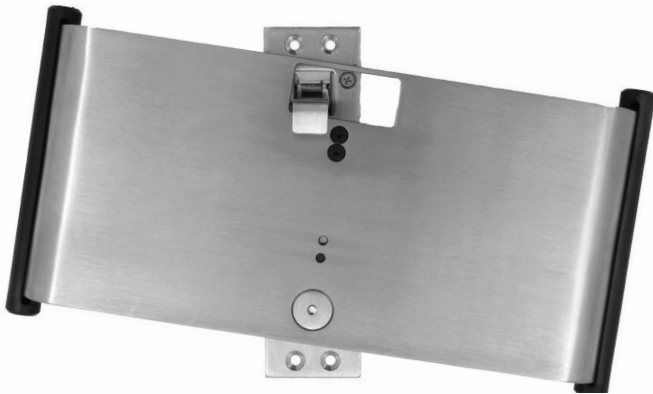


1069 Series

ADA Pocket Door Pull



1069L SHOWN IN LOCKED POSITION

The Trimco **1069 Series** pocket door pulls are uniquely designed to meet American with Disabilities Act (ADA) requirements for pocket door applications. With a Contemporary design and stylish black nylon handles the 1069 Series is built for the most demanding applications while remaining aesthetically pleasing. The 1069 Series is available in multiple functions and is fully customizable for most pocket door applications.

APPLICATIONS

- Hospitals
- Senior Living
- Hotels & Hospitality
- Schools
- Offices

FUNCTIONS

- **1069** – Passage
- **1069L** – Latching (non-locking)
- **1069FP** – Full Privacy

POCKET DOOR LOCKS & PULLS

PRODUCT FEATURES

- Complete pocket door ADA solution
- Multiple functions for different applications
- Exterior emergency access on Full Privacy
- Customizable product

SPECIFICATIONS

DOORS

1-3/8" and 1-3/4" doors standard. Custom options available.

STANDARDS



ANSI A117.1
Accessibility Code
(ADA Compliant)

FRAMES

Up to 5-1/2" standard.
Custom options available.

WARRANTY

Lifetime Mechanical &
Limited Finish Warranty

MATERIAL OPTIONS

- BR** – Brass
- BZ** – Bronze
- SS** – Stainless Steel

NOTES

Custom sizes also available
for various frame sizes.
Must specify handing.

FINISHES

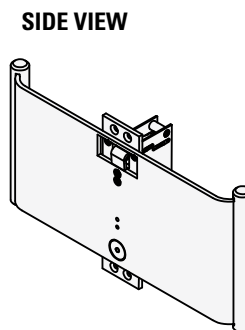
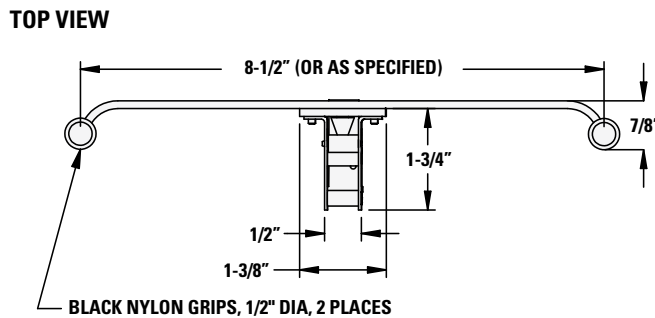
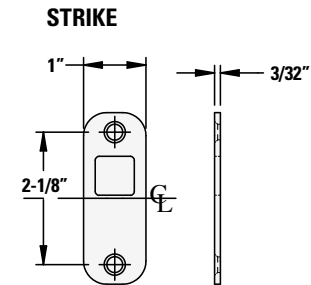
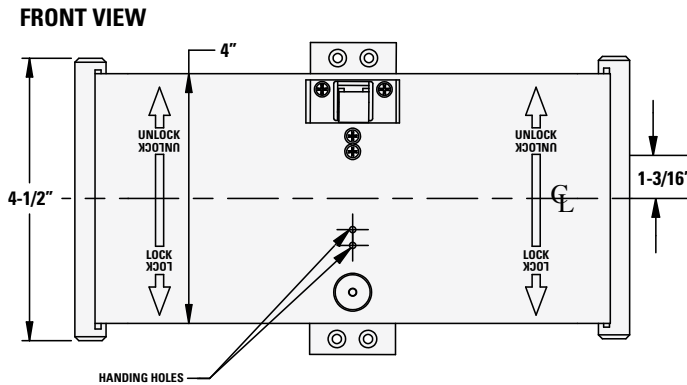
605	Polished Brass
606	Satin Brass, Dull
609	Satin Brass and Black
610	Satin Brass, Black Relieved
611	Polished Bronze
612	Satin Bronze
613	Oil Rubbed Bronze
616	Satin Bronze, Black Relieved
619	Satin Nickel Plated, Clear
629	Polished Stainless Steel
630	Satin Stainless Steel

1069 Series

ADA Pocket Door Pull

HOW TO SPECIFY & ORDER

Family	Description	Frame Size	Handing	Door Thickness	Finish
1069: ADA POCKET DOOR PULLS					
1069	Passage (Push/Pull)	A • 4-3/4" to 5-1/2" (std)	LH • Left Hand	0 • Custom	605 • Polished Brass
1069L	Latching	B • 5-3/4" to 7"	RH • Right Hand	3 • 1-3/8"	606 • Satin Brass
1069FP	Full Privacy (w/ Emergency Key)	C • 7-1/4" to 8-1/2"	Handing Only Required for 1069FP	4 • 1-3/4"	609 • Antique Brass
		D • 8-3/4" to 10"		612 • Satin Bronze	
		E • 10-1/4" to 11-1/2"		613 • Oil Rubbed Bronze	
		F • 11-3/4" to 13"		622 • Matte Black	
				628 • Satin Anodized Aluminum	
				629 • Polished Stainless Steel	
				630 • Satin Stainless Steel	
Example:					
1069FP-A-RH-4.630		A	RH	4	630
1069FP					



* Dimensions are informational only. Templates are available at www.trimcohardware.com