

## 1283 Series

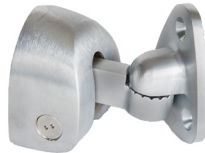
# Adjustre Stops & Holders



1283-2S SHOWN



1283-4S SHOWN



1283-6S SHOWN

The patented Trimco **1283 Adjustre Series** is the only self-adjusting door holder manufactured. With a strike made of solid brass or bronze and featuring spring-loaded ball bearings allowing for tension adjustability. These unique stops and holders are self-adjusting to compensate for up to 1/2" of vertical door sag. Multiple options for floor and wall strikes are also available as well as a lockable version for use with a padlock (i.e. school gymnasium).

## APPLICATIONS

- K-12 Schools
- Universities & Higher Education
- Hospitals & Healthcare Facilities
- Prisons & Detention Facilities
- Government & Military Facilities
- Hospitality

## DOOR, WALL & FRAME PROTECTION

### PRODUCT FEATURES

- Strike is gripped by hardened 1/2" diameter ball bearings.
- Self-adjusting for door sag up to 1/2".
- Gripping tension is adjustable with easy-to-reach security screws.
- Rugged thru-bolt attachment from back side of door.
- Concealed tamper-proof rubber cushion.
- Variety of strikes available: standard and custom height floor strikes, rigid and adjustable wall strikes.
- 1283LS is designed for use with a padlock to lock the door in the open position.

### SPECIFICATIONS

#### STANDARDS

BHMA L01301

#### MATERIAL OPTIONS

**BR** – Brass  
**BZ** – Bronze  
**PL** – Chrome Plated Brass  
or Bronze Castings

#### SERIES

**1283-2S** Adjustre Floor Stop & Holder  
**1283-4S** Adjustre Wall Stop & Holder, Wall Strike  
**1283-6S** Adjustre Wall Stop & Holder, Adjustable Wall Strike  
**1283LS** Adjustre Floor Stop & Holder, Lockable

#### FASTNERS

Machine screws for door and machine screws with anchors for strike.

#### WARRANTY

Lifetime Mechanical & Limited Finish Warranty

#### NOTES

Patent #3,129,024

### FINISHES

605	Polished Brass
606	Satin Brass, Dull
609	Satin Brass and Black
610	Satin Brass, Black Relieved
611	Polished Bronze
612	Satin Bronze
613	Oil Rubbed Bronze
616	Satin Bronze, Black Relieved
619	Satin Nickel Plated, Clear
620	Satin Nickel Plated, Blackened (Antique Nickel)
622	Satin Black
625	Polished Chrome
626	Satin Chrome
SPEC	Special Options Available

**1283 Series**

# Adjustre Stops & Holders

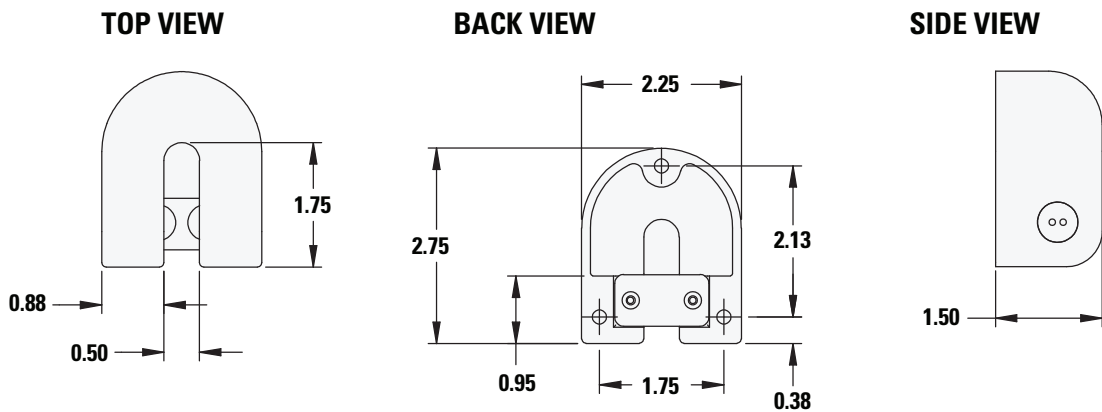
## HOW TO SPECIFY & ORDER

### CHOOSE THE FOLLOWING

SERIES	FINISHES
<ul style="list-style-type: none"> <li>• <b>1283-2S</b> Adjustre Floor Stop &amp; Holder</li> </ul>	<ul style="list-style-type: none"> <li>• <b>605</b> Polished Brass</li> </ul>
<ul style="list-style-type: none"> <li>• <b>1283-4S</b> Adjustre Wall Stop &amp; Holder, Wall Strike</li> </ul>	<ul style="list-style-type: none"> <li>• <b>606</b> Satin Brass</li> </ul>
<ul style="list-style-type: none"> <li>• <b>1283-6S</b> Adjustre Wall Stop &amp; Holder, Adjustable Wall Strike</li> </ul>	<ul style="list-style-type: none"> <li>• <b>609</b> Satin Brass and Black (Antique Brass)</li> </ul>
<ul style="list-style-type: none"> <li>• <b>1283LS</b> Adjustre Floor Stop &amp; Holder, Lockable</li> </ul>	<ul style="list-style-type: none"> <li>• <b>610</b> Satin Brass, Black Relieved</li> </ul>
	<ul style="list-style-type: none"> <li>• <b>611</b> Polished Bronze</li> </ul>
	<ul style="list-style-type: none"> <li>• <b>612</b> Satin Bronze</li> </ul>
	<ul style="list-style-type: none"> <li>• <b>613</b> Oil Rubbed Bronze</li> </ul>
	<ul style="list-style-type: none"> <li>• <b>616</b> Satin Bronze, Black, Relieved</li> </ul>
	<ul style="list-style-type: none"> <li>• <b>619</b> Satin Nickel Plated, Clear Coated</li> </ul>
	<ul style="list-style-type: none"> <li>• <b>620</b> Satin Nickel Plated, Blackened (Antique Nickel)</li> </ul>
	<ul style="list-style-type: none"> <li>• <b>622</b> Satin Black</li> </ul>
	<ul style="list-style-type: none"> <li>• <b>625</b> Polished Chrome</li> </ul>
	<ul style="list-style-type: none"> <li>• <b>626</b> Satin Chrome</li> </ul>
	<ul style="list-style-type: none"> <li>• <b>SPEC</b> Special Options Available</li> </ul>

### EXAMPLE

Example: For a satin chrome Adjustre Wall Stop with an adjustable wall strike, specify or order: **1283-6S.626**



\* Dimensions are informational only. Templates are available at [www.trimcohardware.com](http://www.trimcohardware.com)