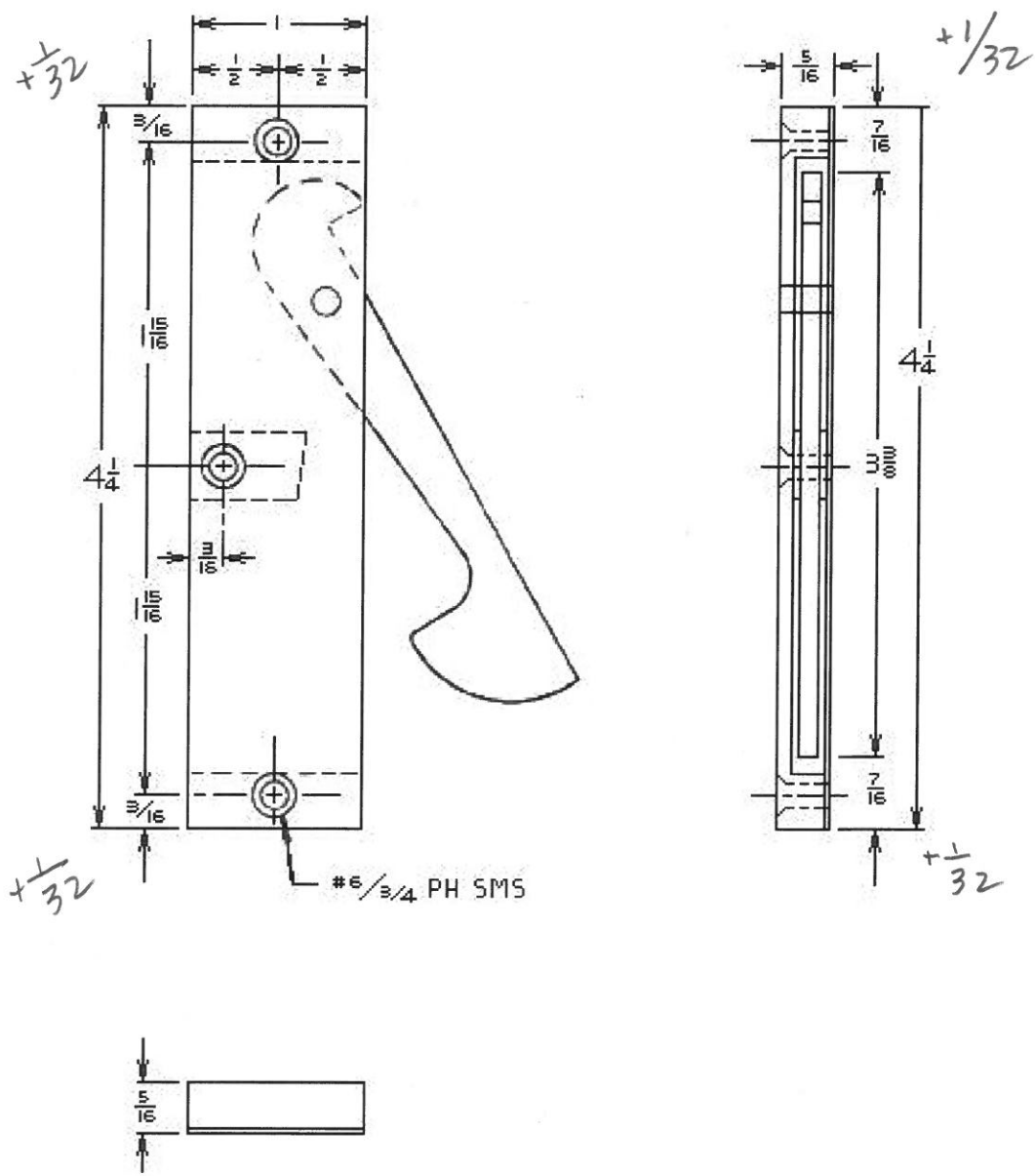


A REVISED: 1-21-87

B REVISED: 8-21-95



DWG. NO. 11529

Trimco / BBW
Triangle Glass Manufacturing Company, Inc.
3528 Emery Street, P.O. Box 23277
Los Angeles, CA 90023, USA

1062 (BBW P/N 36)
CONCEALED EDGE FULL
DR. BY: L.R.

Book No. _____ Date Requested: _____
This template is provided for use only on the job for which it was requested. Trimco reserves the right to make design changes without notice.