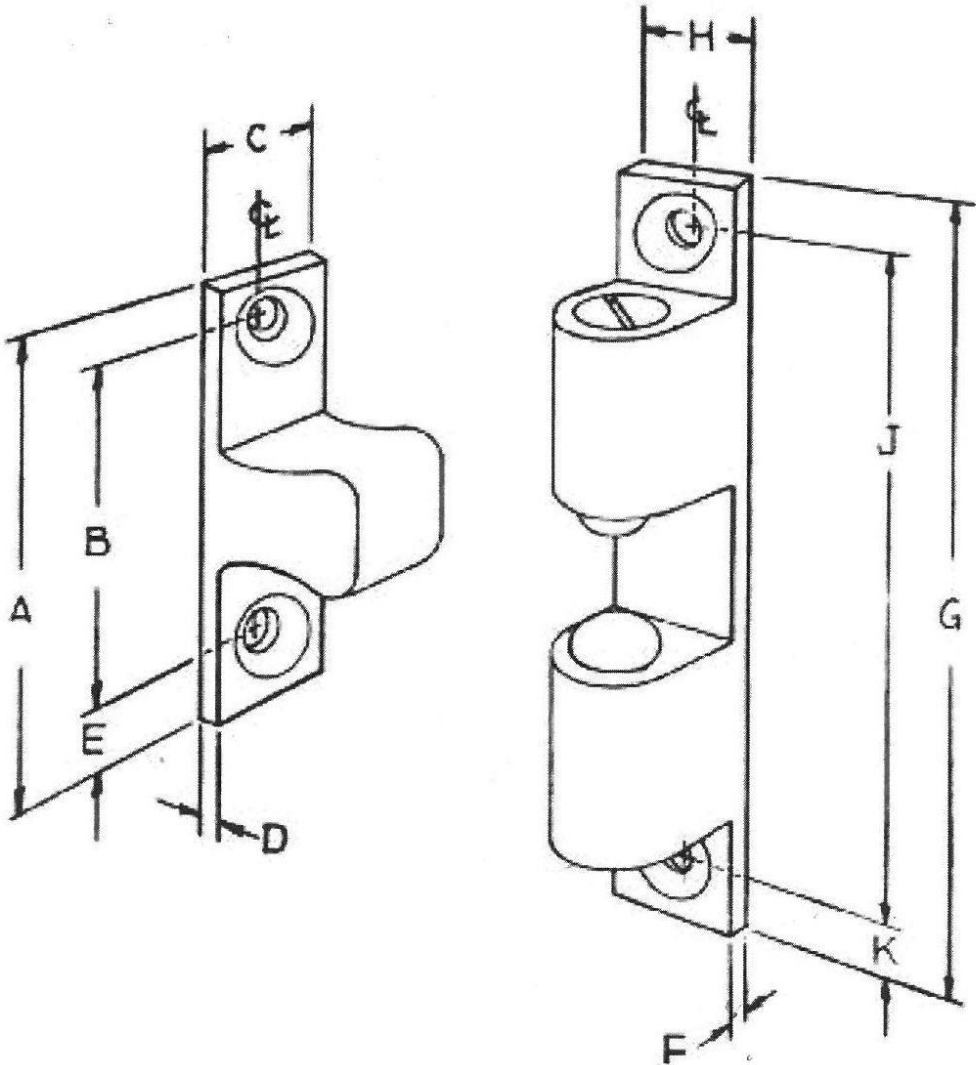


REVISIONS

A	801,803 DISCONTINUED	9/15/14	JWG/MF
B	RE-DRAWN PREV FILE TOO BIG	6/30/16	MF

PART NO.	A	B	C	D	E	F	G	H	J	K	FASTENERS
802	1-1/8	3/4	5/16	1/16	3/16	1/16	1-15/16	3/8	1-1/2	7/32	#4X5/8FH,PH, SMS, (4)EA.
804	1-9/16	1-3/16	13/32	1/16	3/16	1/16	2-3/4	1/2	2-1/4	1/4	#6X3/4 FH, PH, SMS, (4)EA.



SCALE	NONE	TITLE	3-WAY BALL TENSION CATCHES
USED ON:	802 & 804	DRAWING NUMBER	11314
DRAWN BY	T.A		