



**Trimco**<sup>®</sup>  
SINCE 1949

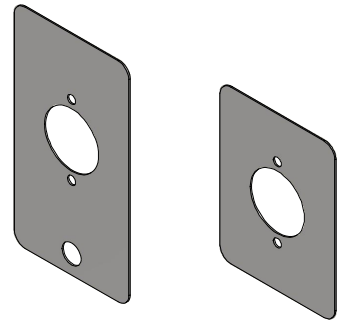
**PRODUCT:**

**TEMPLATE FOR RETROFIT COVER PLATE -  
NDEB**

**NOTES:**

- DIMENSIONS SHOWN IN INCHES UNLESS SPECIFIED.
- DO NOT PRE-DRILL DOOR.
- DO NOT SCALE.

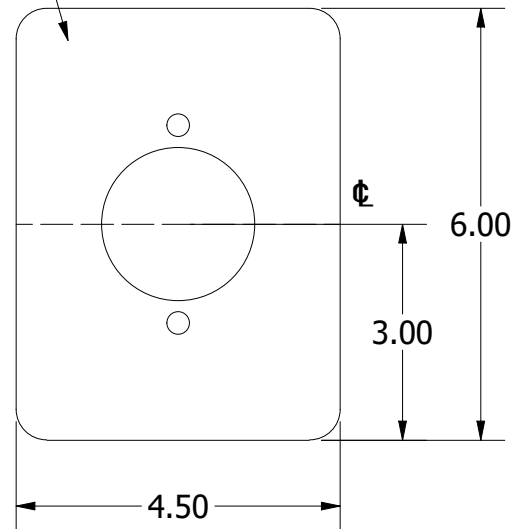
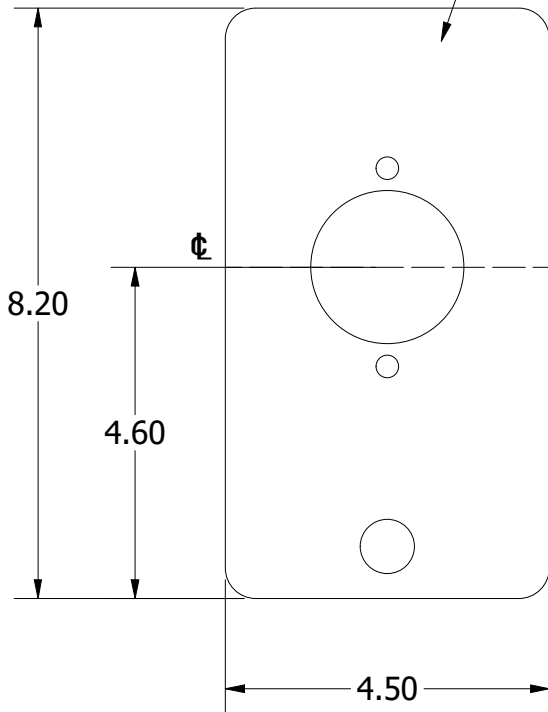
PART# RFCP-NDEB



INTERIOR

EXTERIOR

SCHLAGE TEMPLATE  
NDEB2



Each entryway is unique. Please confirm the dimensions of the Retrofit Cover Plate, including but not limited to overall size, hole pattern, and centerline are appropriate for the application and legacy hardware being removed

TEMPLATE# 23803

REVISION# 01

SHEET 1 OF 1

APPROVED BY: R. MONTERO

This template is provided for use only on the job for which it was requested. Trimco reserves the right to make design changes without notice. Trimco will not be responsible for errors or damage caused by the use of out-of-date templates.

APPROVED ON: 3/10/2026

TRIANGLE BRASS MANUFACTURING  
1351 ROCKY POINT DRIVE  
OCEANSIDE, CA 92056  
WWW.TRIMCOHARDWARE.COM  
323.262.4191