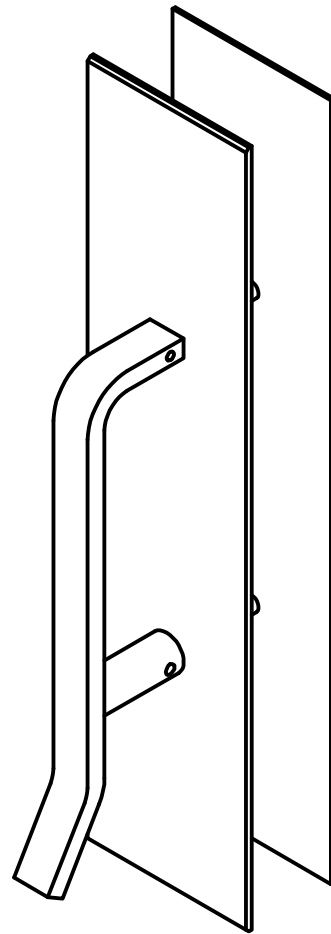
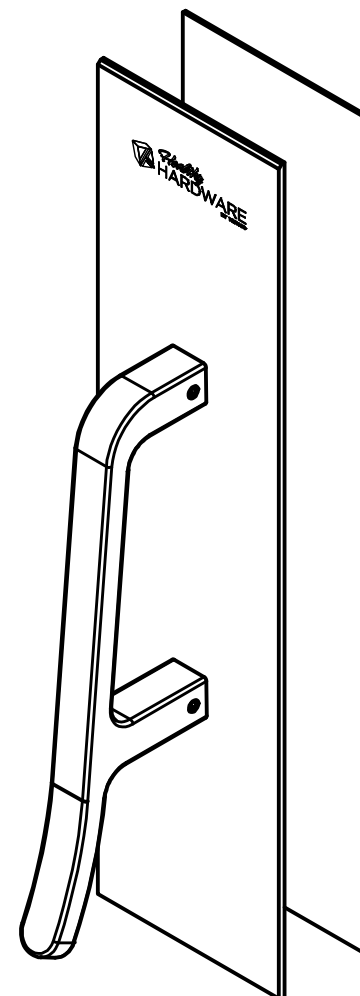


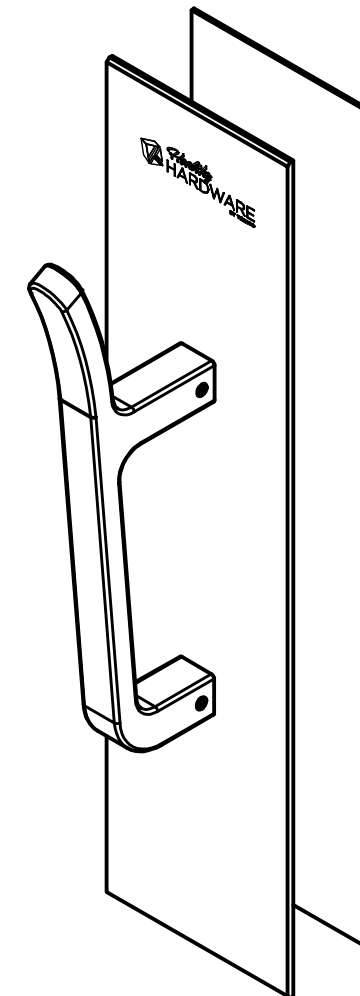
STANDARD FINISH
UP FACING PULL
SEE SHEET 2



STANDARD FINISH
DOWN FACING PULL
SEE SHEET 2



HEALTHY HARDWARE[®]
DOWN FACING PULL
SEE SHEET 3



HEALTHY HARDWARE[®]
UP FACING PULL
SEE SHEET 3

NOTES:

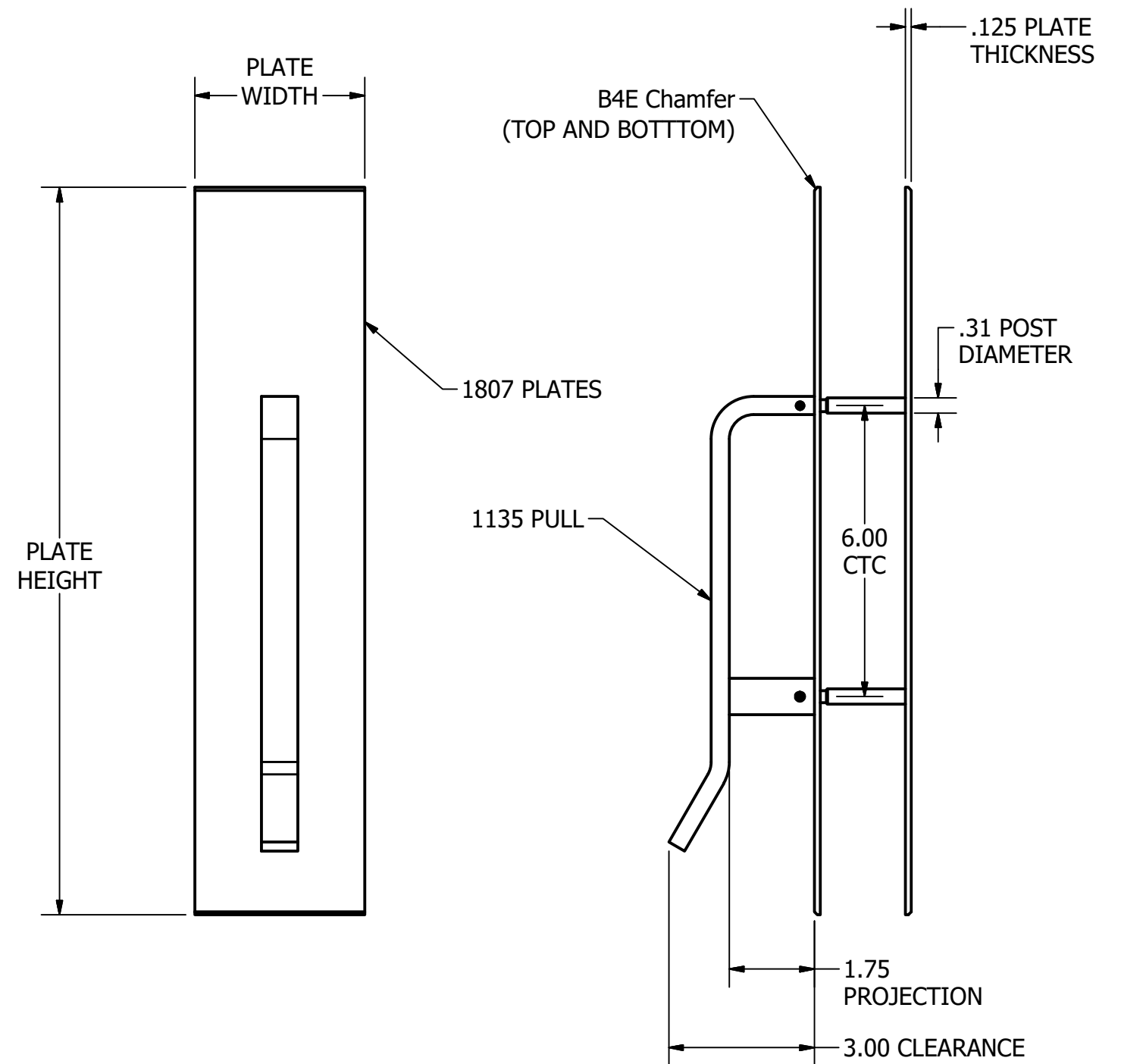
- ORIENTATION OF PULL (UP OR DOWN) IS DONE BY INSTALLER, **NOT** MANUFACTURER.
- MOUNTING IS WITH A 1/4-20 SHOULDER BOLT INTO A 3/8 DIAMETER POST AND SET SCREWS INTO THE SIDES OF THE PULL. (STANDARD TRIMCO G-MOUNTING)
- FOR 1-3/4" THICK DOORS ONLY. CUSTOMER MUST SPECIFY IF DIFFERENT.



STANDARD FINISHES VERSION

TABLE		
PART NUMBER	PLATE WIDTH	PLATE HEIGHT
1835-2.XXX	3-1/2"	15"
1835-3.XXX	4"	16"

*XXX = FINISH CODE. STANDARD FINISHES AVAILABLE FOR STAINLESS STEEL, BRASS, AND BRONZE.





HEALTHY HARDWARE® VERSION

TABLE		
PART NUMBER	PLATE WIDTH	PLATE HEIGHT
1835-2.710CU	3-1/2"	15"
1835-3.710CU	4"	16"

*THE ONLY FINISH AVAILABLE FOR HEALTHY HARDWARE® IS 710CU

