

TEMPLATE NO.

20912
SHT 1 OF 1



Trimco
SINCE 1949

1351 Rocky Point Dr
Oceanside, CA 90256
(323)262-4191
www.TrimcoHardware.com

PRODUCT

AP400J OFFSET SQUARE LADDER
PULL WITH MIDPOST TEMPLATE

PART NUMBER: _____

DOOR TYPE (CIRCLE ONE): HOLLOW METAL | WOOD

MOUNTING TYPE: J-MOUNT

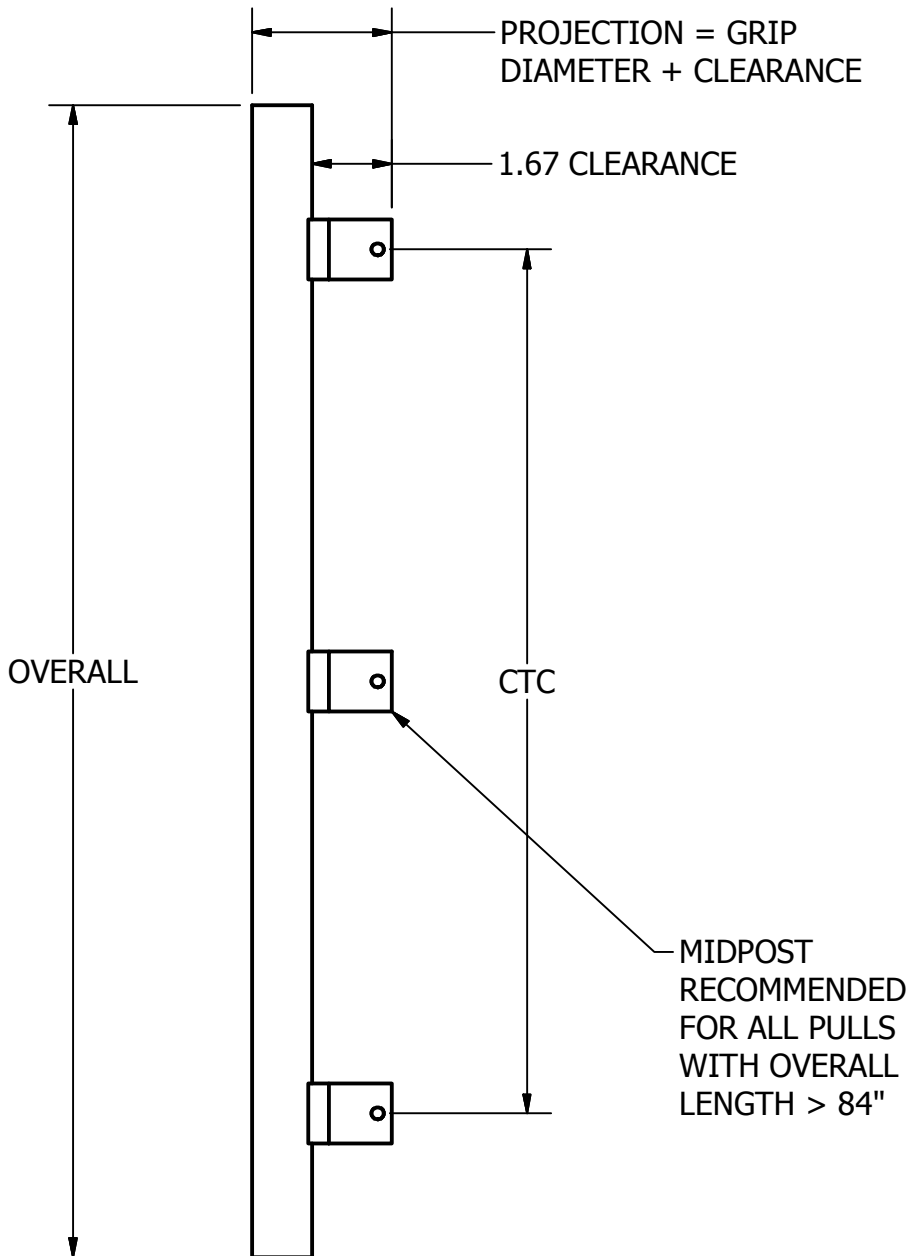
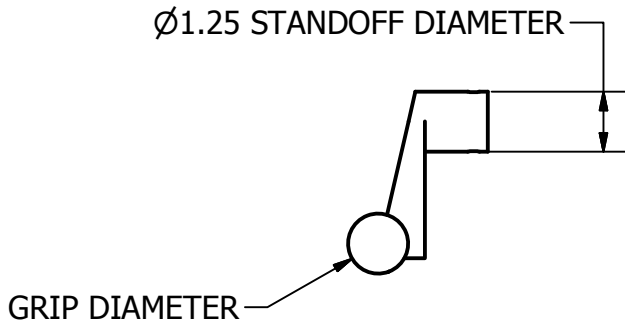
GRIP DIAMETER: _____

DOOR THICKNESS: _____

OVERALL: _____

CTC: _____

FINISH: _____



PRODUCT NOTES:
 -COMES WITH MOUNTING HARDWARE
 -DRAWING MAY NOT BE TO SCALE
 -WOOD DOORS COME WITH BUSHINGS
 -HOLLOW METAL DOORS COME WITH RIV-NUTS

NOTE: This template is provided for use only on the job for which it was requested. Trimco reserves the right to make design changes without notice. Trimco will not be responsible for errors or damage caused by the use of out-of-date templates.

DATE | REVISION

5/30/19 | 01