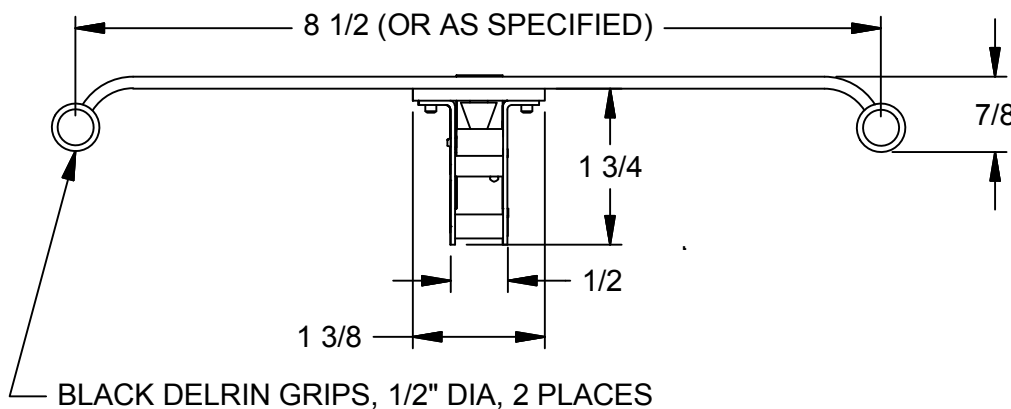
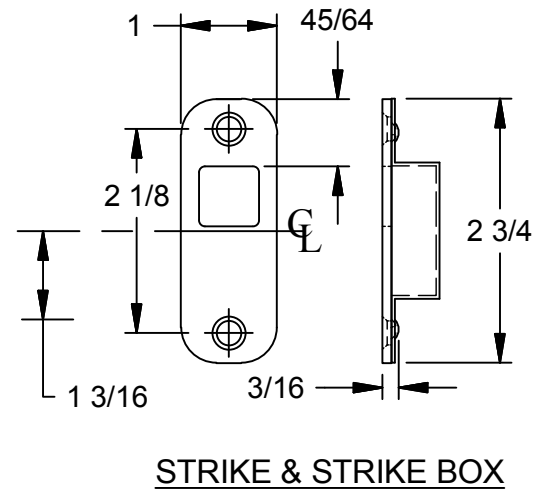
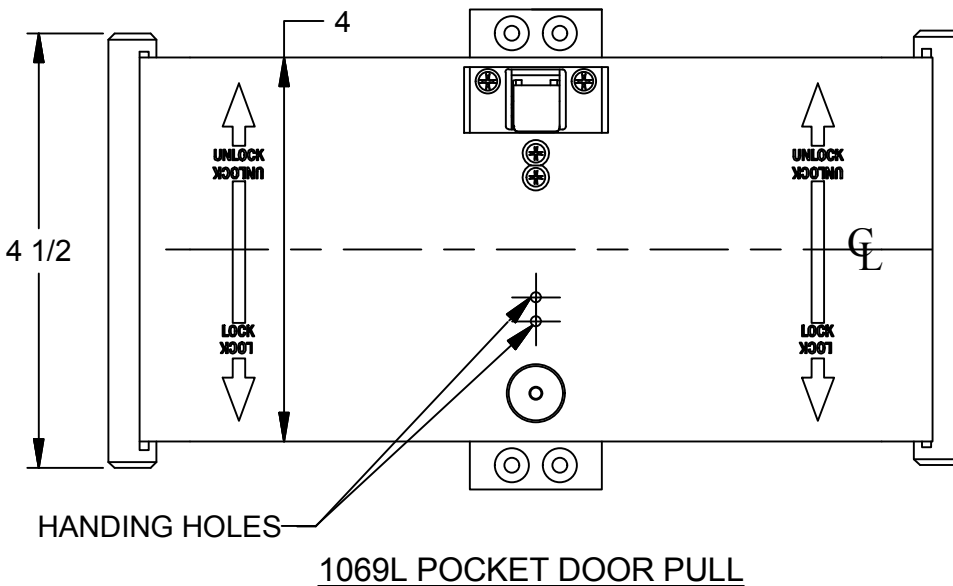
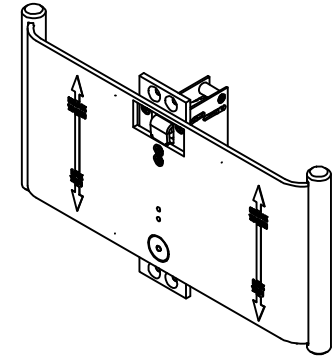


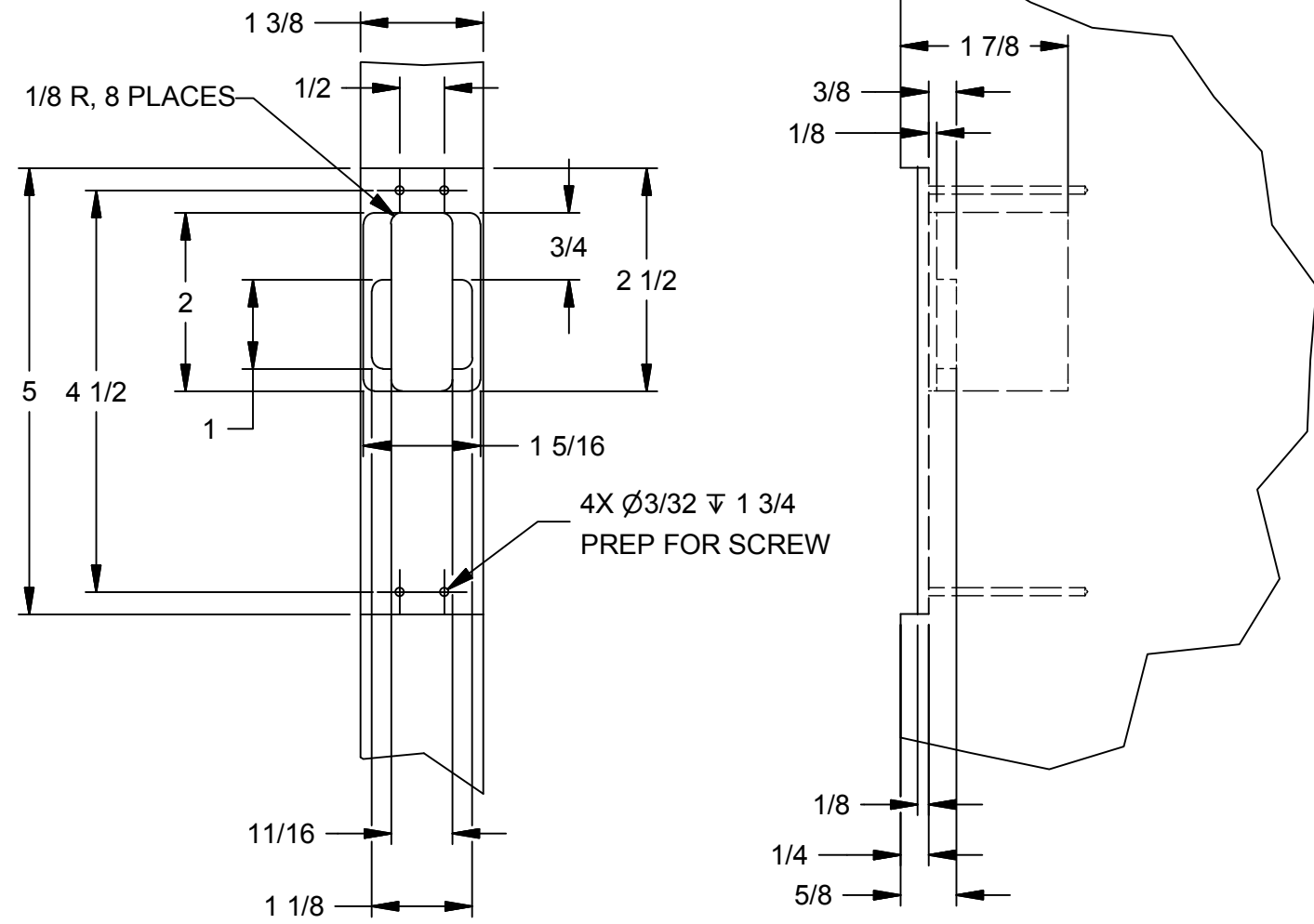
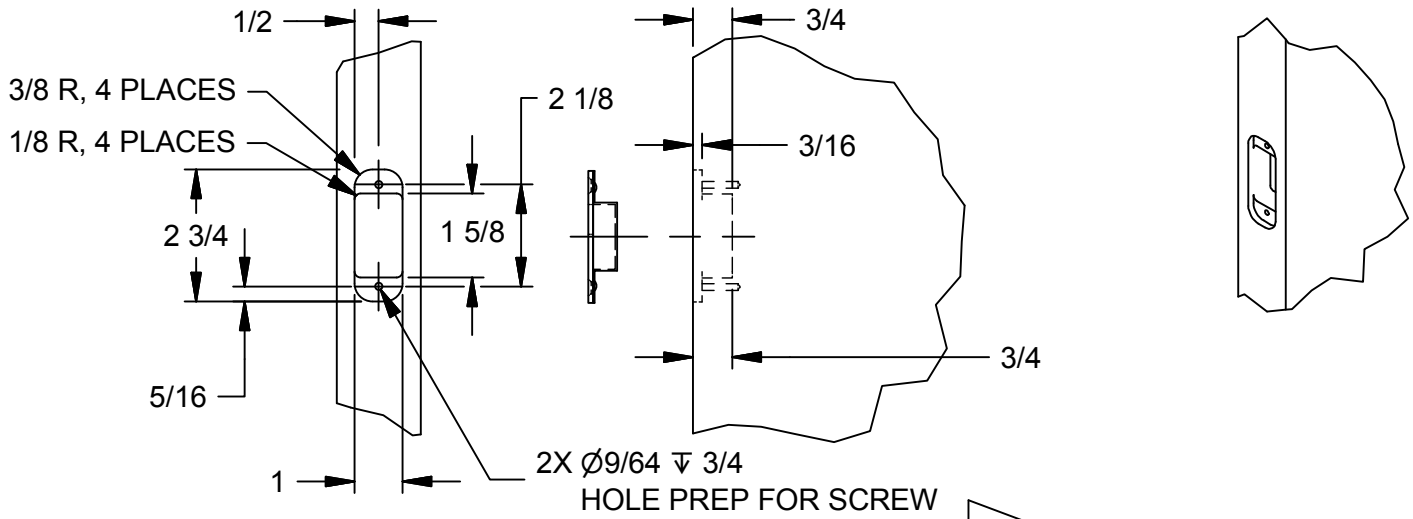
**INSTALLATION INSTRUCTIONS:**

1. OUR STANDARD 1069L ASSEMBLY WILL WORK WITH A FRAME/WALL OF UP TO 5 1/2" WIDTH - CUSTOMIZED ASSEMBLIES CAN BE MADE FOR WIDTH'S GREATER THAN 5 1/2"- REFERENCE SHEET 4.
2. PREPARE DOOR AND FRAME AS INDICATED ON SHEET 2 OR 3 DEPENDING UPON DOOR THICKNESS.  
(STRIKE PREPARATION IS THE SAME REGARDLESS)
3. INSERT DOOR PULL AND INSTALL USING QUANTITY FOUR (4) #8X1-5/8" FH PH DRYWALL SCREWS (SUPPLIED)
4. INSTALL HANDING SCREW IN APPROPRIATE HOLES AS SHOWN ON THE DRAWING BELOW. IF CLOCKWISE ROTATION IS DESIRED INSTALL SET SCREW IN LOWER HOLE - OPPOSITE IF COUNTER-CLOCKWISE IS DESIRED.
5. INSTALL STRIKE USING TWO (2) #8X3/4" FH WS (SUPPLIED) THEN TEST UNIT.
6. INSTALL LOCK/UNLOCK DECALS AS SHOWN.
7. INSTALL SLIDE DECALS AS SHOWN (SEE SHEET 4)



SHEET 2 OF 4 DOOR PREP FOR 1-3/8" WOOD DOOR  
SHEET 3 OF 4 DOOR PREP FOR 1-3/4" WOOD DOOR AND WIDER

PREP FOR STRIKE  
IN WOOD FRAME



DOOR PREP FOR 1-3/8" WOOD DOOR - CENTER PATTERN IN DOOR THICKNESS

NOTE: This template is provided for use only on the job for which is was requested. Trimco reserves the right to make design changes without notice. Trimco will not be responsible for errors or damage caused by the use of out-of-date templates.

DATE

05/07/19

TEMPLATE NO.

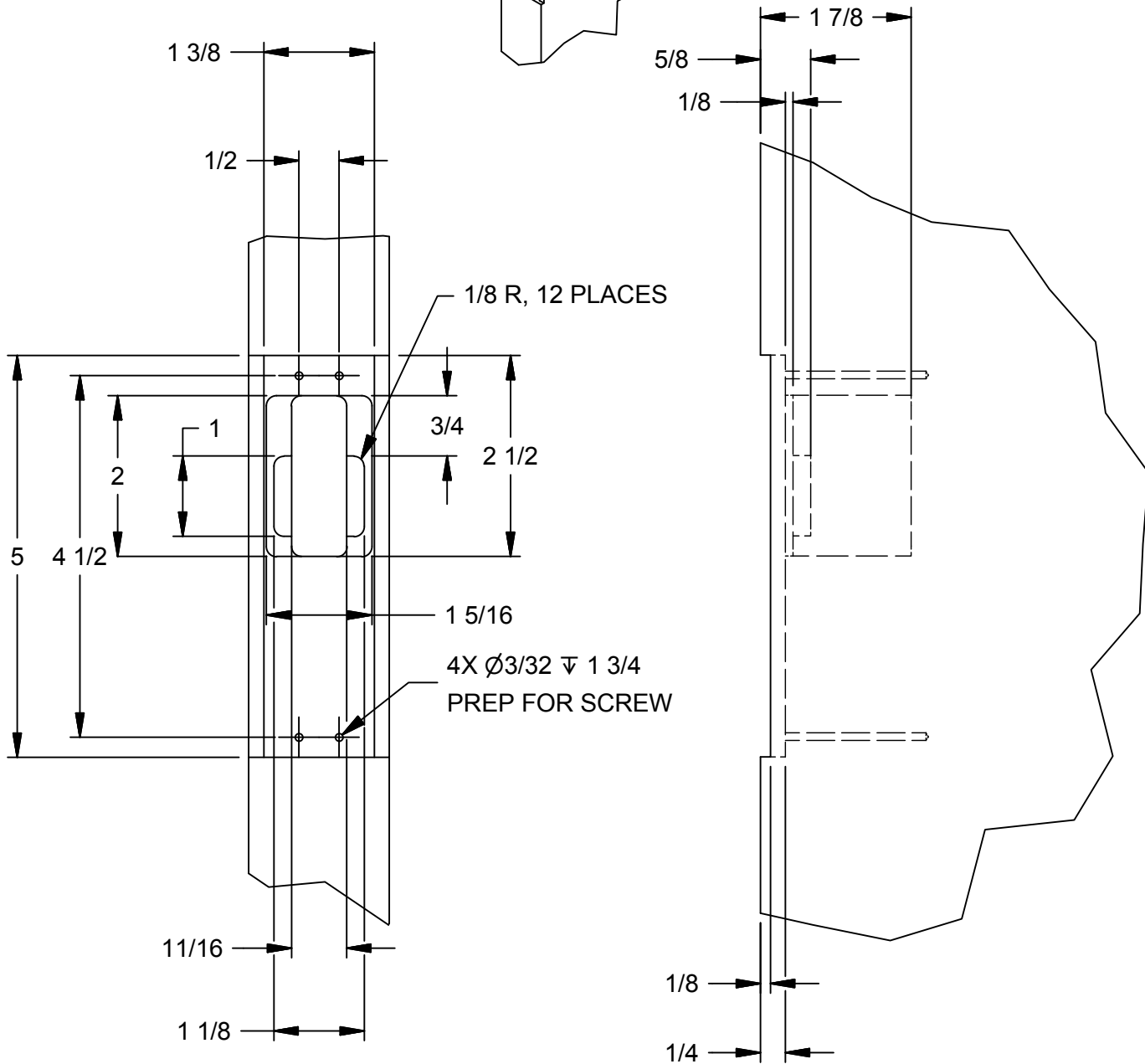
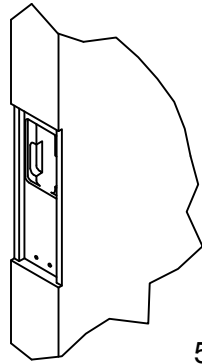
18523  
SHT 3 OF 4



1351 Rocky Point Drive  
Oceanside, CA 92056  
(323)262-4191  
www.trimcohardware.com  
email:info@trimcobbw.com

PRODUCT

1069L  
POCKET DOOR PULL  
LATCHING



DOOR PREP FOR 1-3/4" WOOD DOOR AND WIDER  
CENTER PATTERN IN DOOR THICKNESS

NOTE: This template is provided for use only on the job for which is was requested. Trimco reserves the right to make design changes without notice. Trimco will not be responsible for errors or damage caused by the use of out-of-date templates.

DATE

05/07/19

TEMPLATE NO.

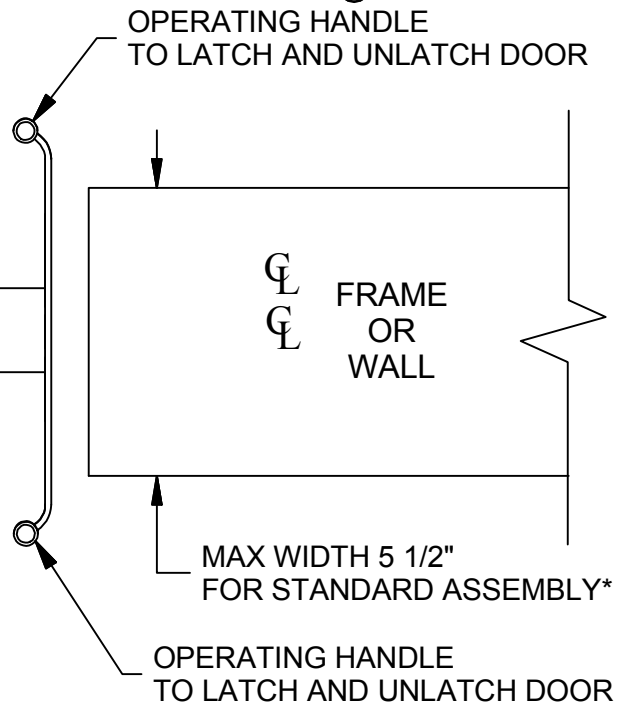
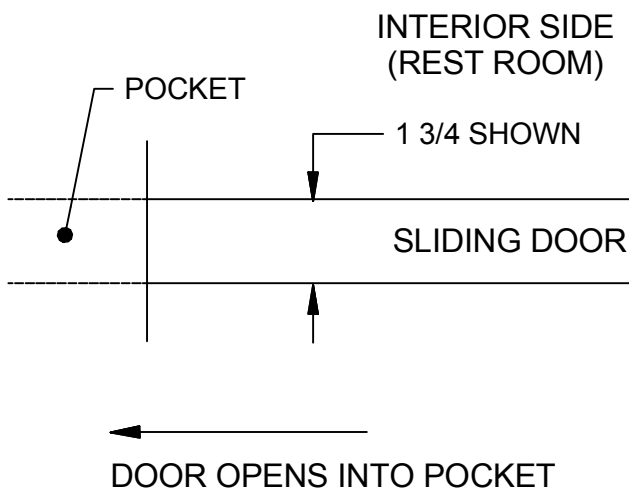
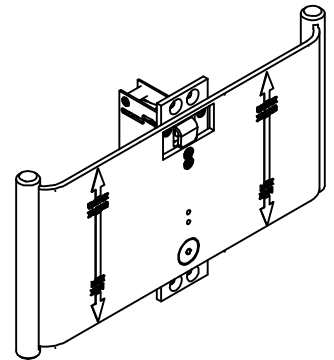
18523  
SHT 4 OF 4



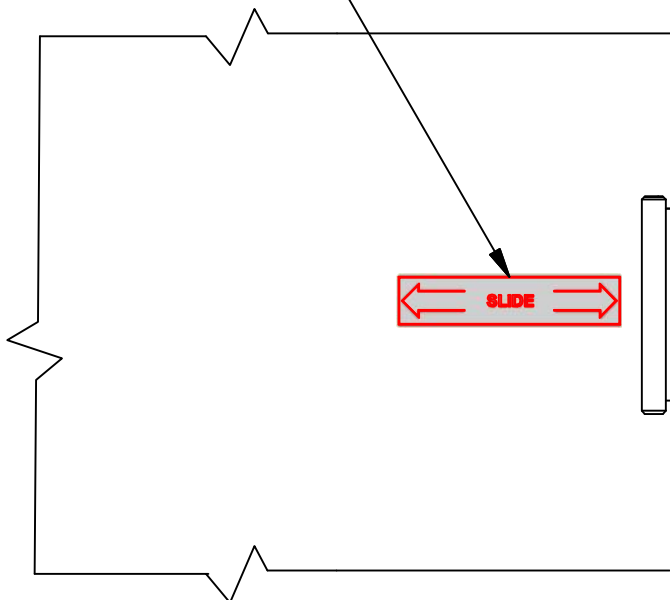
1351 Rocky Point Drive  
Oceanside, CA 92056  
(323)262-4191  
www.trimcohardware.com  
email:info@trimcobbw.com

PRODUCT

1069L  
POCKET DOOR PULL  
LATCHING



SUGGESTED LABEL LOCATION



\*CUSTOMIZED ASSEMBLIES CAN BE MADE FOR WIDTH'S GREATER THAN 5 1/2"

©2019 Trimco Hardware, Inc. All rights reserved. This document is the property of Trimco Hardware, Inc. and is intended for use only on the job for which it was requested. Trimco Hardware, Inc. reserves the right to make design changes without notice. Trimco Hardware, Inc. is not responsible for errors or damage caused by the use of out-of-date templates.

NOTE: This template is provided for use only on the job for which is was requested. Trimco reserves the right to make design changes without notice. Trimco will not be responsible for errors or damage caused by the use of out-of-date templates.

DATE

05/07/19