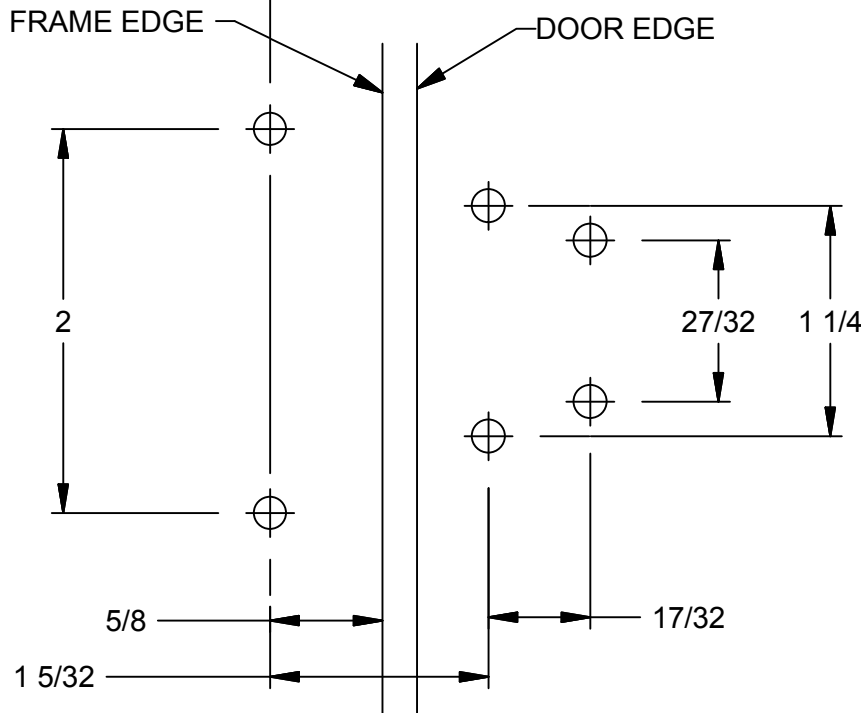
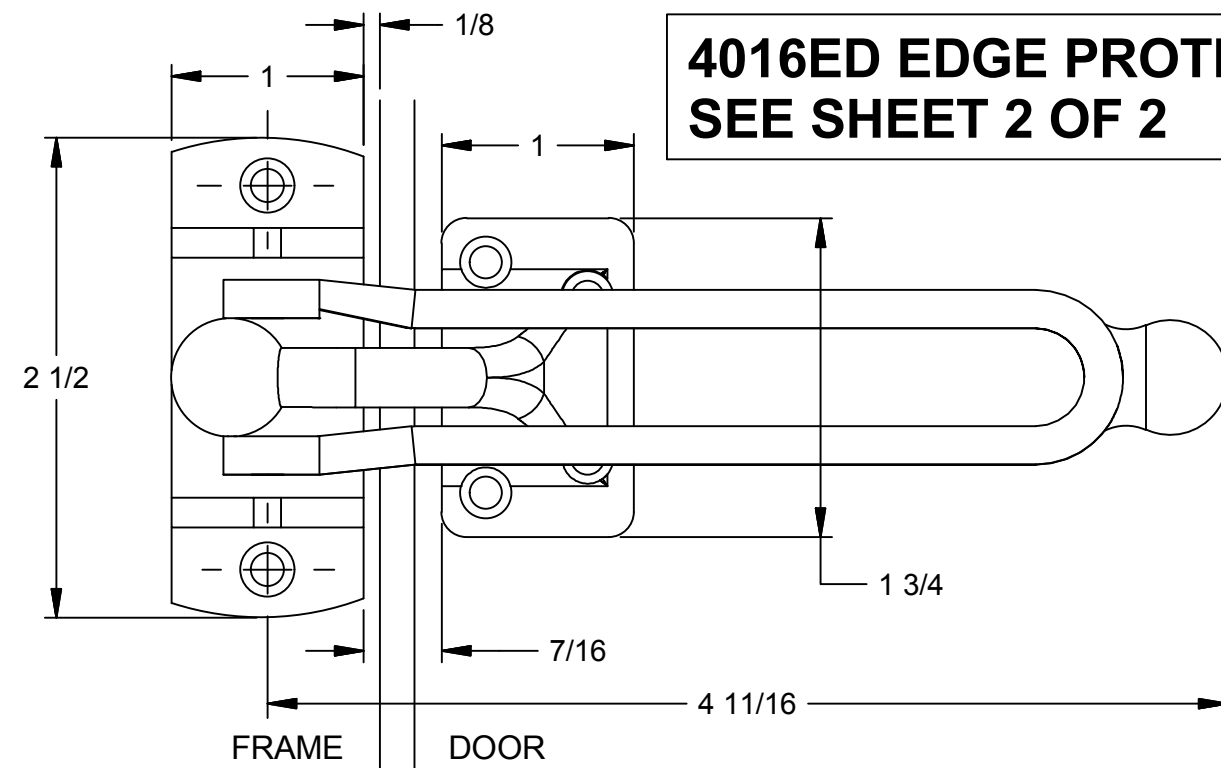


**4016ED EDGE PROTECTOR,  
SEE SHEET 2 OF 2**



1. Mount no higher than 48" above floor or per specified ada.
2. Mark and mount Arm Base to door frame. Note: Position base so that base edge is 1/8" from edge of frame.
3. Position and mount base on door 7/16" from edge of arm base.

EACH UNIT IS SUPPLIED WITH 6 X #6 X 1" OVAL HEAD, PHILLIPS HEAD, SHEET METAL/WOOD SCREWS

REVISION RECORD: ADDED DIM'S 2 1/2, 1 1/4, 4 11/16, 1 5/8, 5/8, SGH/JG, 12/24/14  
REVISION RECORD: MODIFIED NOTE 1 9/48/14, SGH/JWG  
REVISION RECORD: ADDED SHT 2, ADDED 4016ED 01/28/14, DLS/JWG  
REVISION RECORD: CHANGED TITLE, ADDED BS SCREENS 04/04/13, SCH/ELS  
SUPERSEDES REVISION: 10/18/10 (REF: ORIGINAL HAND-DRAWN IS DWG 11389)

**NOTE:** This template is provided for use only on the job for which it was requested. Trimco reserves the right to make design changes without notice. Trimco will not be responsible for errors or damage caused by the use of out-of-date templates.

DATE

12/24/14

TEMPLATE NO.

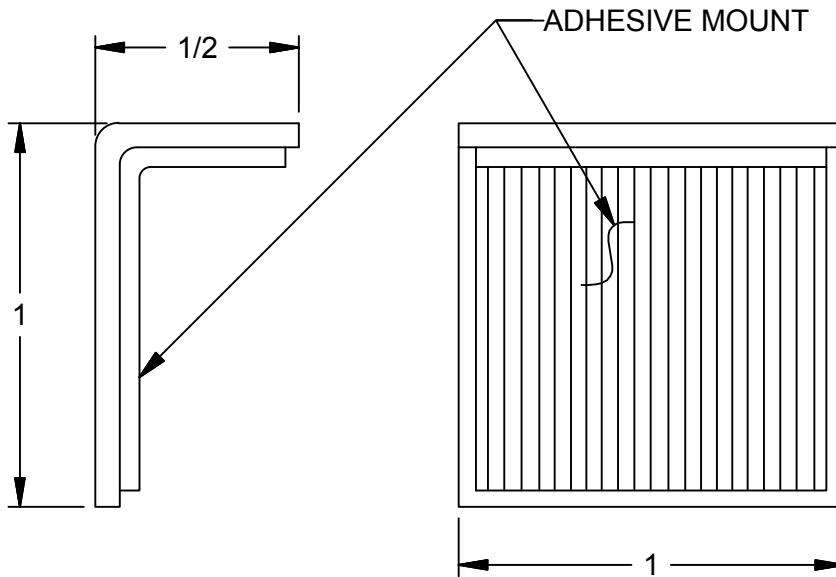
19481  
SHT 2 OF 2



3528 Emery Street  
PO BOX 23277  
Los Angeles, CA 90023-0277  
(323)262-4191  
www.trimcobbw.com

PRODUCT

4016 DOOR GUARD,  
4016ED EDGE PROTECTOR



### 4016ED EDGE PROTECTOR

NOTE: This template is provided for use only on the job for which it was requested. Trimco reserves the right to make design changes without notice. Trimco will not be responsible for errors or damage caused by the use of out-of-date templates.

DATE

12/24/14