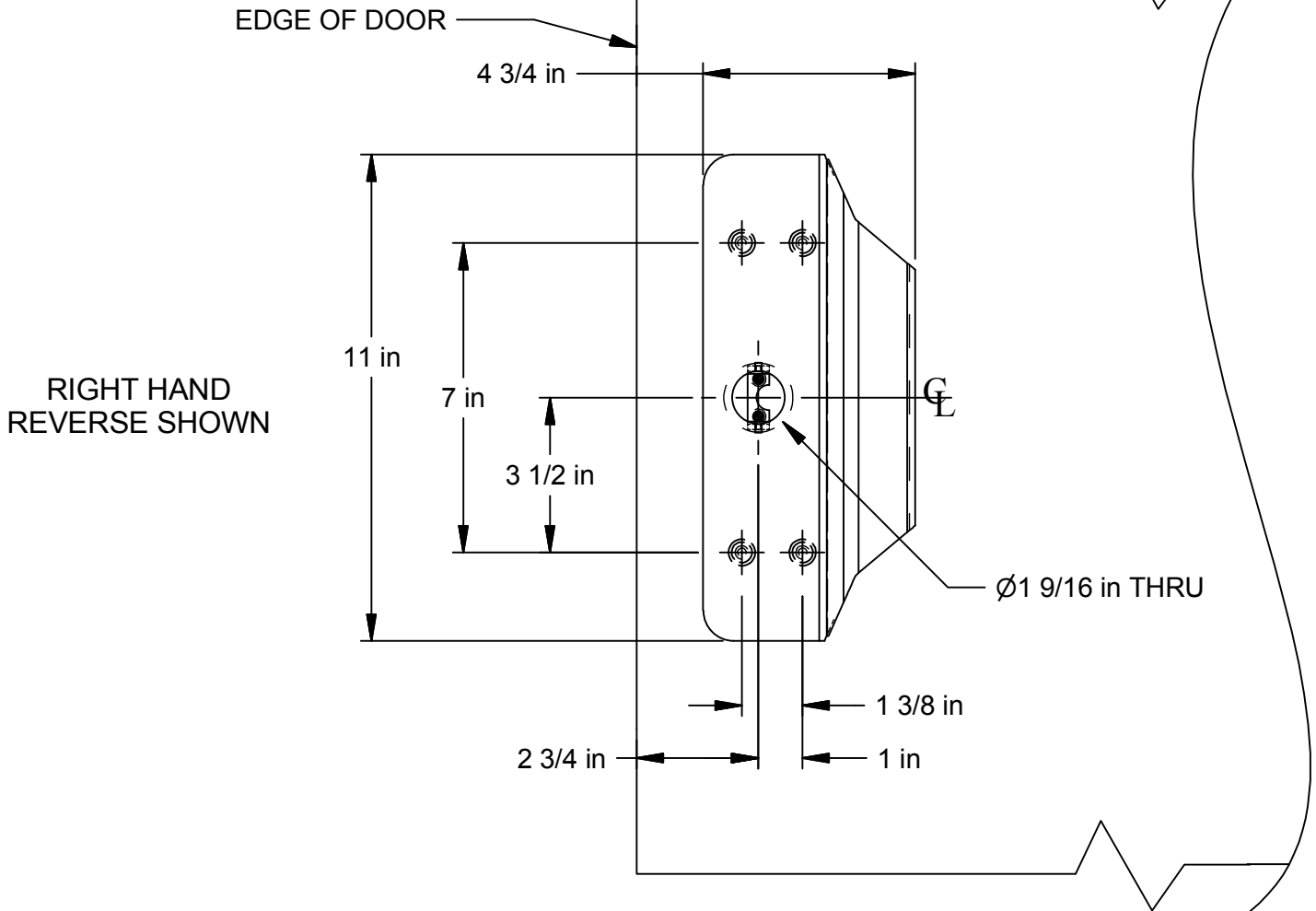
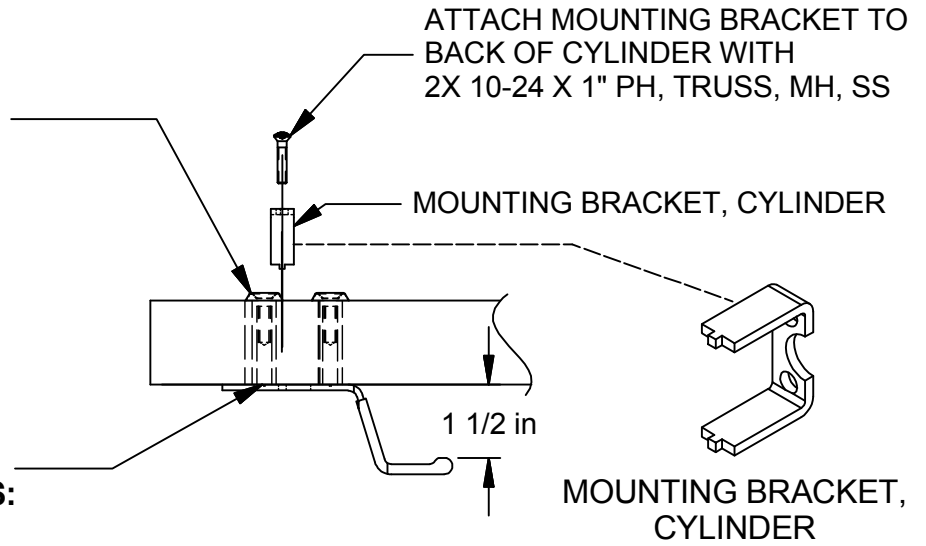


DRILL PREP FOR 1 3/4" DOORS:
 \varnothing 9/32" HOLE FOR 1/4-20 X 1" FH,
 PHILLIPS DRIVE SCREW, USE FINISHING
 WASHERS PROVIDED
 (4 PLCS)

DRILL PREP FOR 1 3/4" DOORS:
FOR STAINLESS STEEL PULLS:
 \varnothing 1/2" HOLES, DEPTH OF 1 11/16"
 (4 PLCS)
FOR BRASS AND BRONZE PULLS:
 ADD \square 3/4", ∇ 1/8"
 (4 PLCS)



DO NOT USE THIS TEMPLATE IF
 MATING TO RIM, EXIT, OR PANIC DEVICES.

PATENT NO. 354670

NOTE: This template is provided for use only on the job for which it was requested. Trimco reserves the right to make design changes without notice. Trimco will not be responsible for errors or damage caused by the use of out-of-date templates.

DATE

05/10/16

TEMPLATE NO.

19667
SHT 2 OF 2



3528 Emery Street
PO BOX 23277
Los Angeles, CA 90023-0277
(323)262-4191
www.trimcobbw.com

PRODUCT

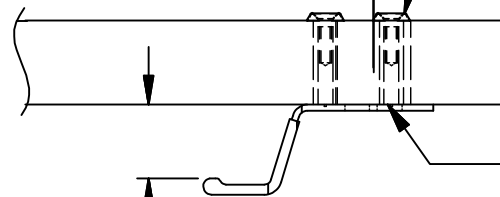
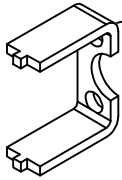
TEMPLATE,
1097VD98/99HA ANTI-VANDAL
PULL PLATE, NON-HANDED

ATTACH MOUNTING BRACKET TO
BACK OF CYLINDER WITH
2X 10-24 X 1" PH, TRUSS, MH, SS

MOUNTING BRACKET, CYLINDER

DRILL PREP FOR 1 3/4" DOORS:

Ø 9/32" HOLE FOR 1/4-20 X 1" FH,
PHILLIPS DRIVE SCREW, USE FINISHING
WASHERS PROVIDED
(4 PLCS)



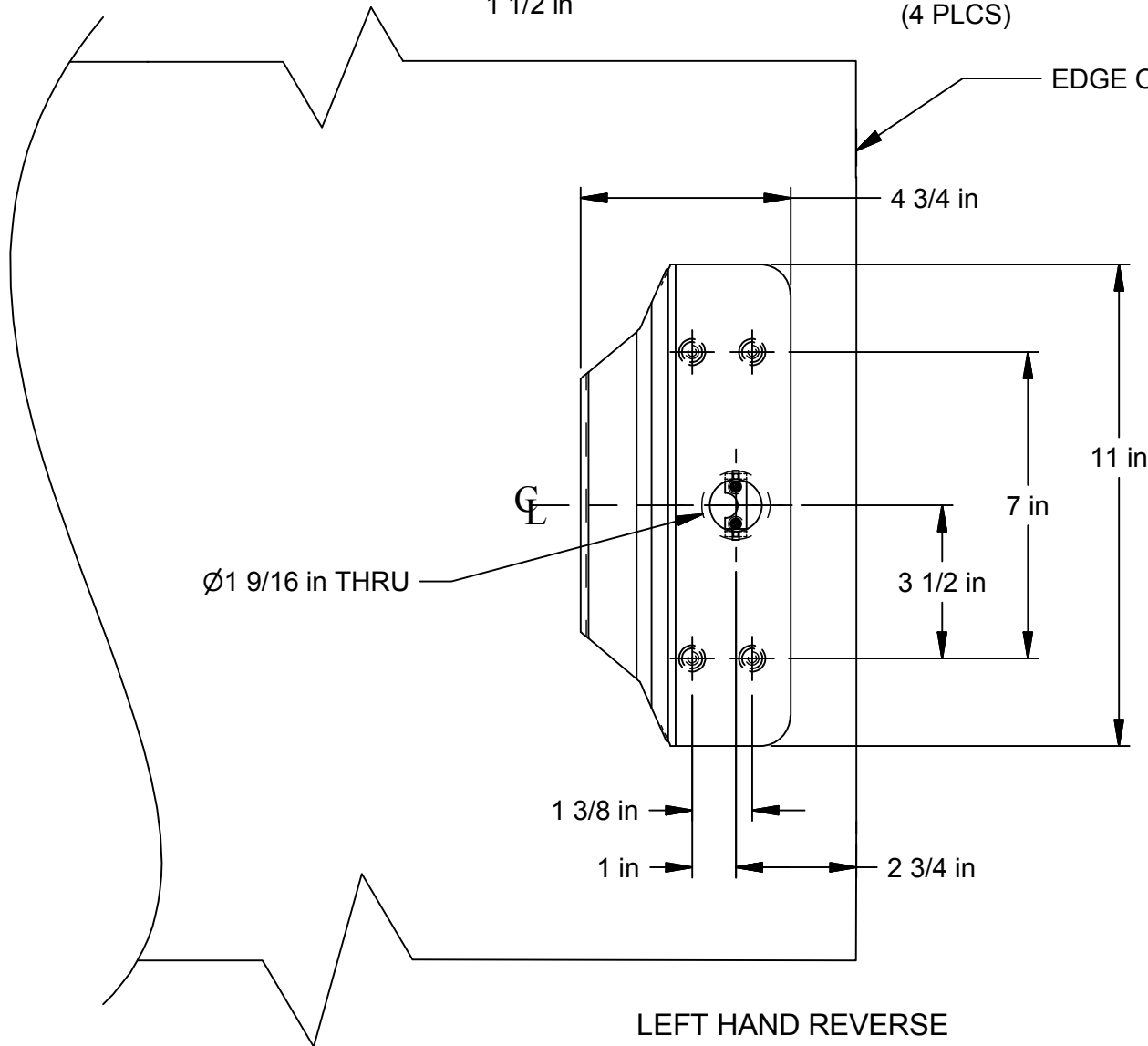
DRILL PREP FOR 1 3/4" DOORS:
FOR STAINLESS STEEL PULLS:
Ø1/2" HOLES, DEPTH OF 1 11/16"
(4 PLCS)

FOR BRASS AND BRONZE PULLS:
ADD □ 3/4", ▽ 1/8"
(4 PLCS)

MOUNTING BRACKET, CYLINDER

1 1/2 in

EDGE OF DOOR



LEFT HAND REVERSE
SHOWN

DO NOT USE THIS TEMPLATE IF
MATING TO RIM, EXIT, OR PANIC DEVICES.

PATENT NO. 354670

NOTE: This template is provided for use only on the job for which it was requested.
Trimco reserves the right to make design changes without notice. Trimco will
not be responsible for errors or damage caused by the use of out-of-date templates.

DATE

05/10/16