

TEMPLATE NO.

19666
SHT 1 OF 2



3528 Emery Street
PO BOX 23277
Los Angeles, CA 90023-0277
(323)262-4191
www.trimcobbw.com

PRODUCT

TEMPLATE,
1096NCHA ANTI-VANDAL PULL
PLATE, STANDARD, NON-HANDED

RIGHT HAND REVERSE
SHOWN

DRILL PREP FOR 1 3/4" DOORS:

Ø 9/32" HOLE FOR 1/4-20 X 1" FH,
PHILLIPS DRIVE SCREW, USE FINISHING
WASHERS PROVIDED
(4 PLCS)

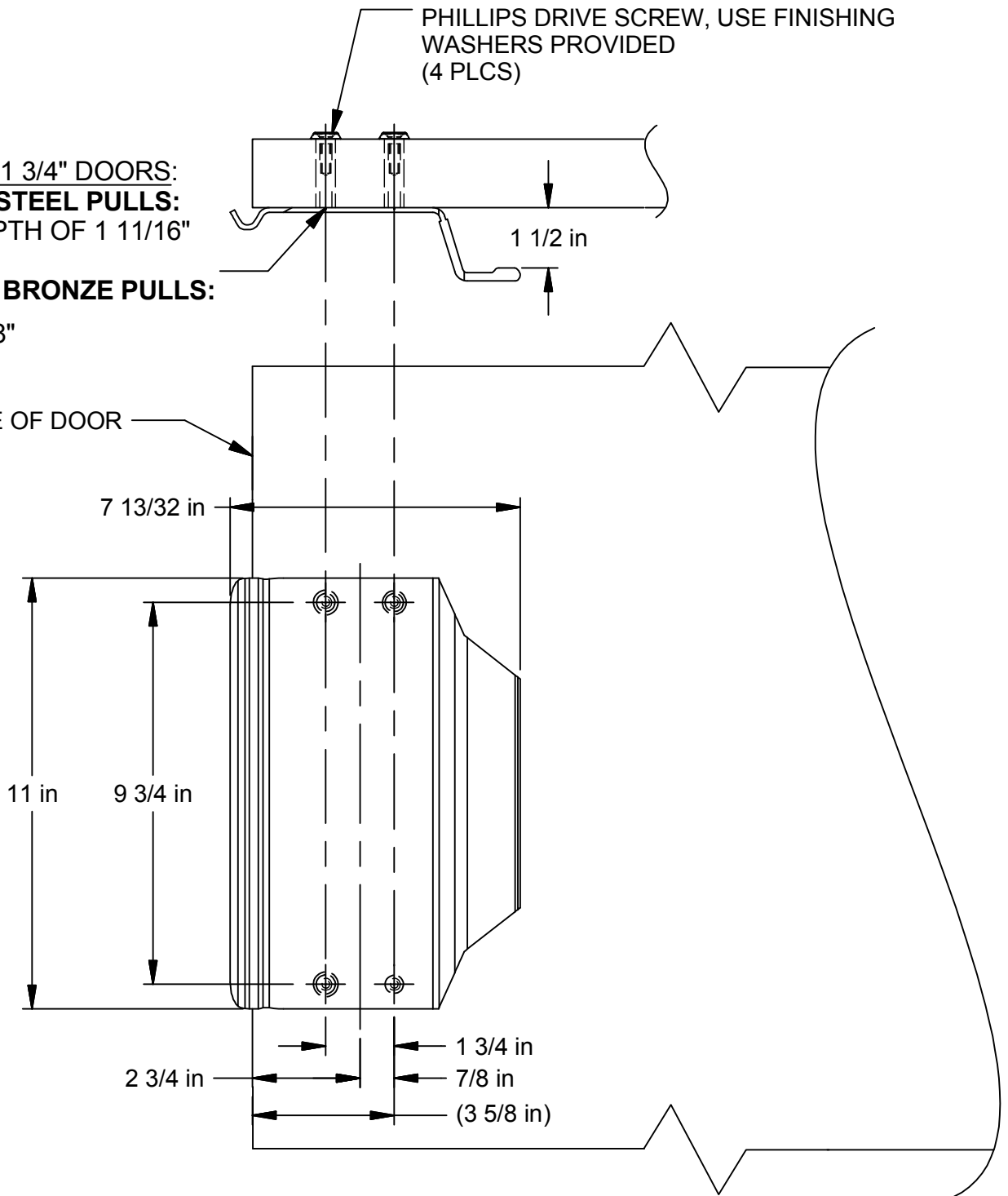
DRILL PREP FOR 1 3/4" DOORS:

FOR STAINLESS STEEL PULLS:
Ø1/2" HOLES, DEPTH OF 1 11/16"
(4 PLCS)

FOR BRASS AND BRONZE PULLS:

ADD □ 3/4", ▽ 1/8"
(4 PLCS)

EDGE OF DOOR



FOR SINGLE DOORS ONLY
(CONTACT FACTORY FOR DOUBLE DOOR INSTALLATION)
DO NOT USE THIS TEMPLATE IF MATING
TO RIM, EXIT, OR PANIC DEVICES.

PATENT NO. 354670

NOTE: This template is provided for use only on the job for which it was requested.
Trimco reserves the right to make design changes without notice. Trimco will
not be responsible for errors or damage caused by the use of out-of-date templates.

DATE

05/10/16

TEMPLATE NO.

19666
SHT 2 OF 2



3528 Emery Street
PO BOX 23277
Los Angeles, CA 90023-0277
(323)262-4191
www.trimcobbw.com

PRODUCT

TEMPLATE,
1096NCHA ANTI-VANDAL PULL
PLATE, STANDARD, NON-HANDED

LEFT HAND REVERSE
SHOWN

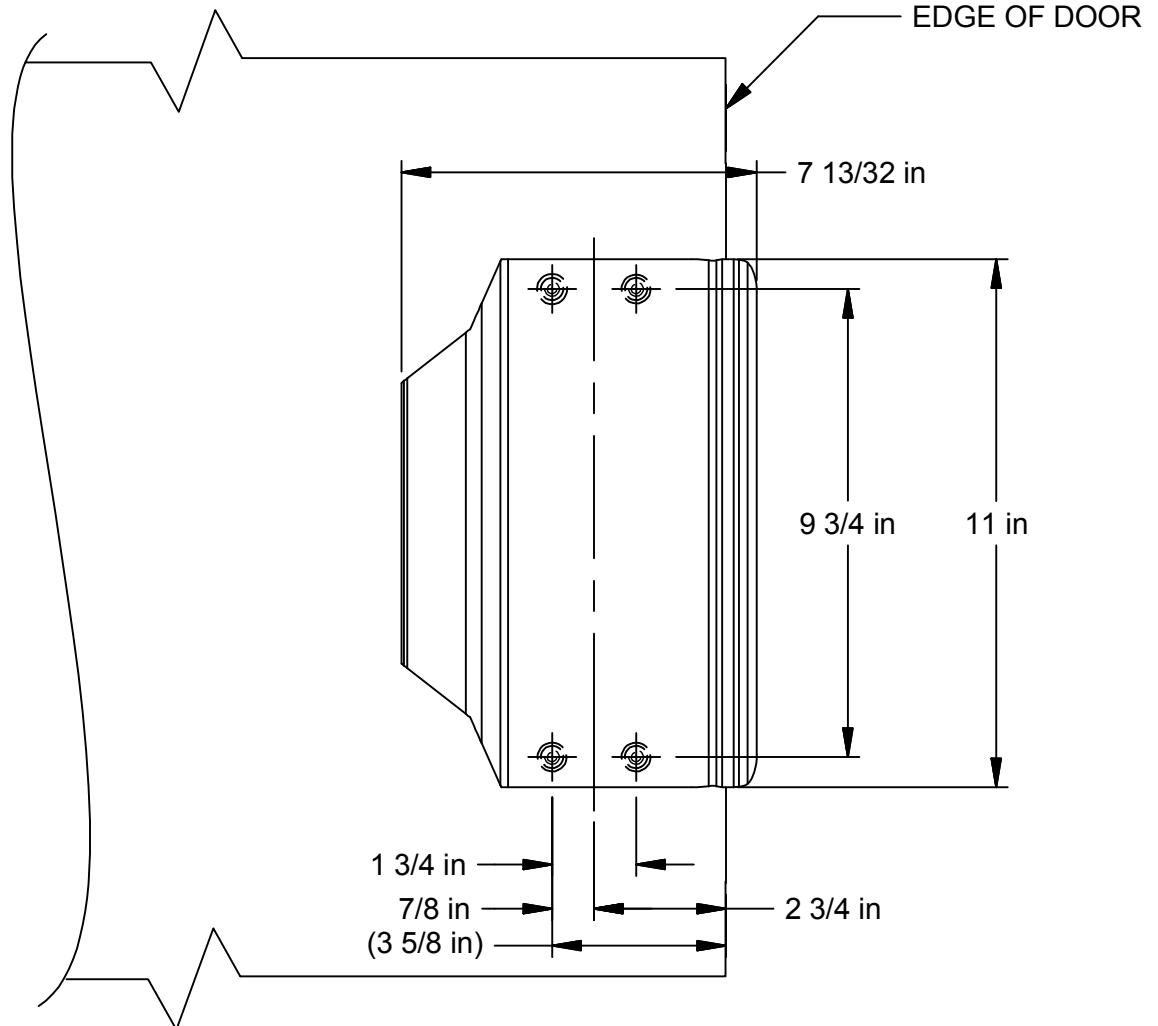
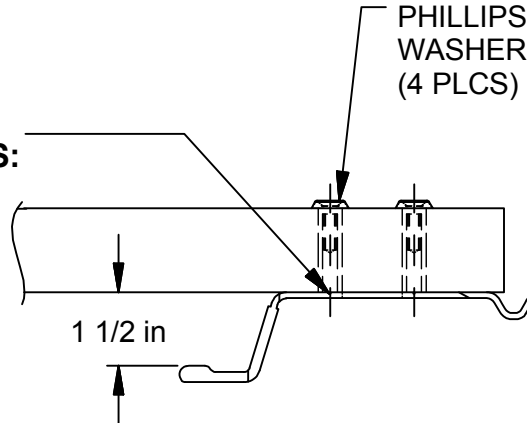
DRILL PREP FOR 1 3/4" DOORS:
FOR STAINLESS STEEL PULLS:
Ø1/2" HOLES, DEPTH OF 1 11/16"
(4 PLCS)

FOR BRASS AND BRONZE PULLS:

ADD \square 3/4", ∇ 1/8"
(4 PLCS)

DRILL PREP FOR 1 3/4" DOORS:

Ø 9/32" HOLE FOR 1/4-20 X 1" FH,
PHILLIPS DRIVE SCREW, USE FINISHING
WASHERS PROVIDED
(4 PLCS)



FOR SINGLE DOORS ONLY
(CONTACT FACTORY FOR DOUBLE DOOR INSTALLATION)
DO NOT USE THIS TEMPLATE IF MATING
TO RIM, EXIT, OR PANIC DEVICES.

PATENT NO. 354670

NOTE: This template is provided for use only on the job for which it was requested.
Trimco reserves the right to make design changes without notice. Trimco will
not be responsible for errors or damage caused by the use of out-of-date templates.

DATE

05/10/16