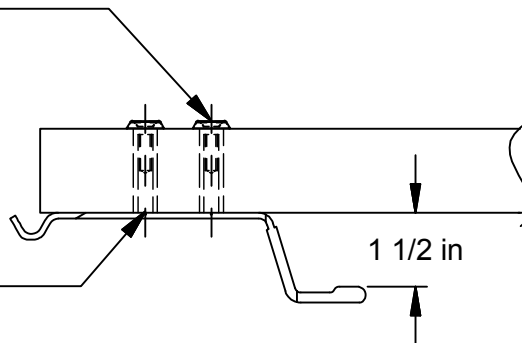


DRILL PREP FOR 1 3/4" DOORS:

Ø 9/32" HOLE FOR 1/4-20 X 1" FH,
PHILLIPS DRIVE SCREW, USE FINISHING
WASHERS PROVIDED.
(4 PLCS)



DRILL PREP FOR 1 3/4" DOORS:

FOR STAINLESS STEEL PULLS:

Ø1/2" HOLES, DEPTH OF 1 11/16"
(4 PLCS)

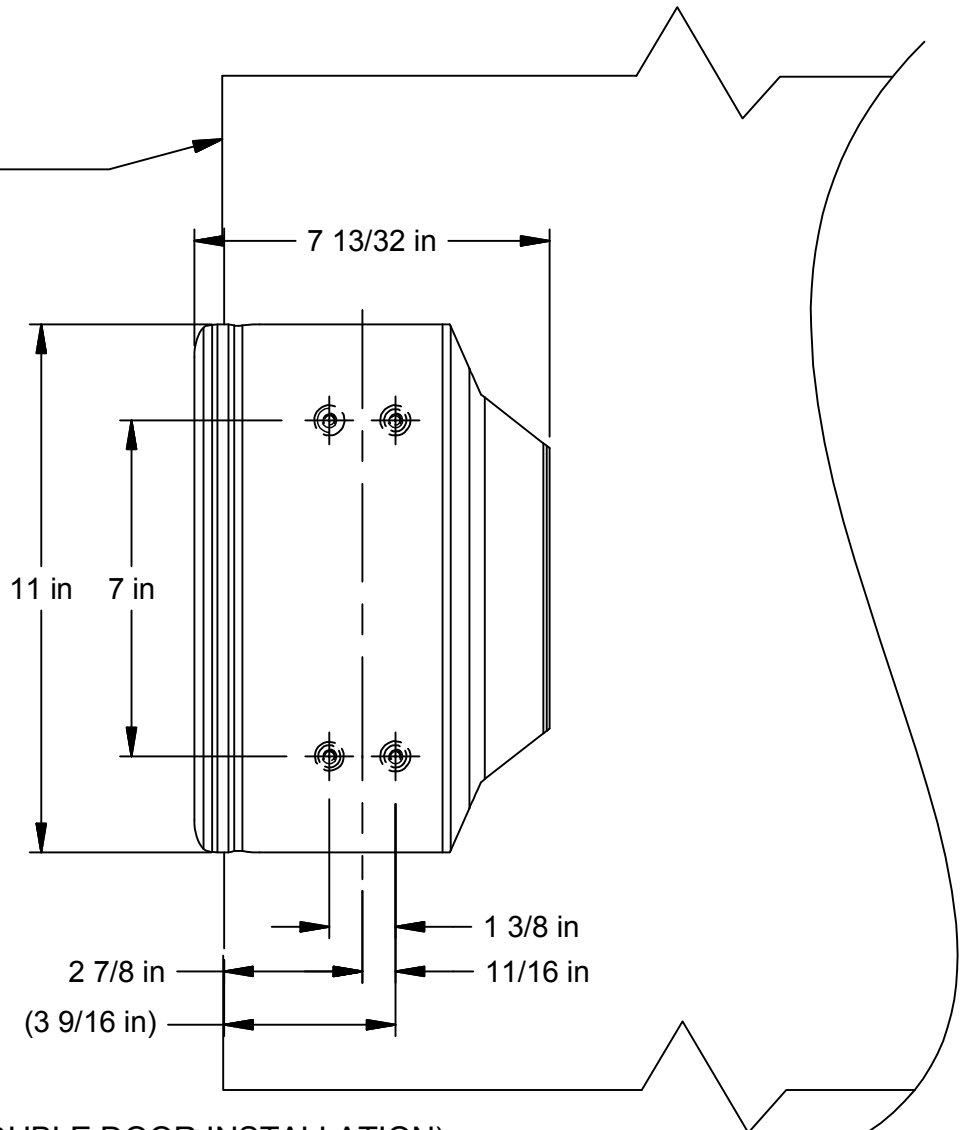
FOR BRASS AND BRONZE PULLS:

ADD □ 3/4", ∇ 1/8"

(4 PLCS)

EDGE OF DOOR

RIGHT HAND REVERSE
SHOWN



FOR SINGLE DOORS ONLY
(CONTACT FACTORY FOR DOUBLE DOOR INSTALLATION)
DO NOT USE THIS TEMPLATE IF MATING
TO RIM, EXIT, OR PANIC DEVICES.

PATENT NO. 354670

TEMPLATE NO.

19664
SHT 2 OF 2



3528 Emery Street
PO BOX 23277
Los Angeles, CA 90023-0277
(323)262-4191
www.trimcobbw.com

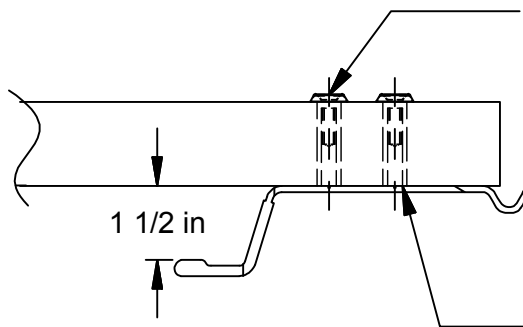
PRODUCT

TEMPLATE,
1096VD98/99HA-NC ANTI-VANDAL
PULL PLATE, NON-HANDED

LEFT HAND REVERSE
SHOWN

DRILL PREP FOR 1 3/4" DOORS:

Ø 9/32" HOLE FOR 1/4-20 X 1" FH,
PHILLIPS DRIVE SCREW, USE FINISHING
WASHERS PROVIDED. (4 PLCS)

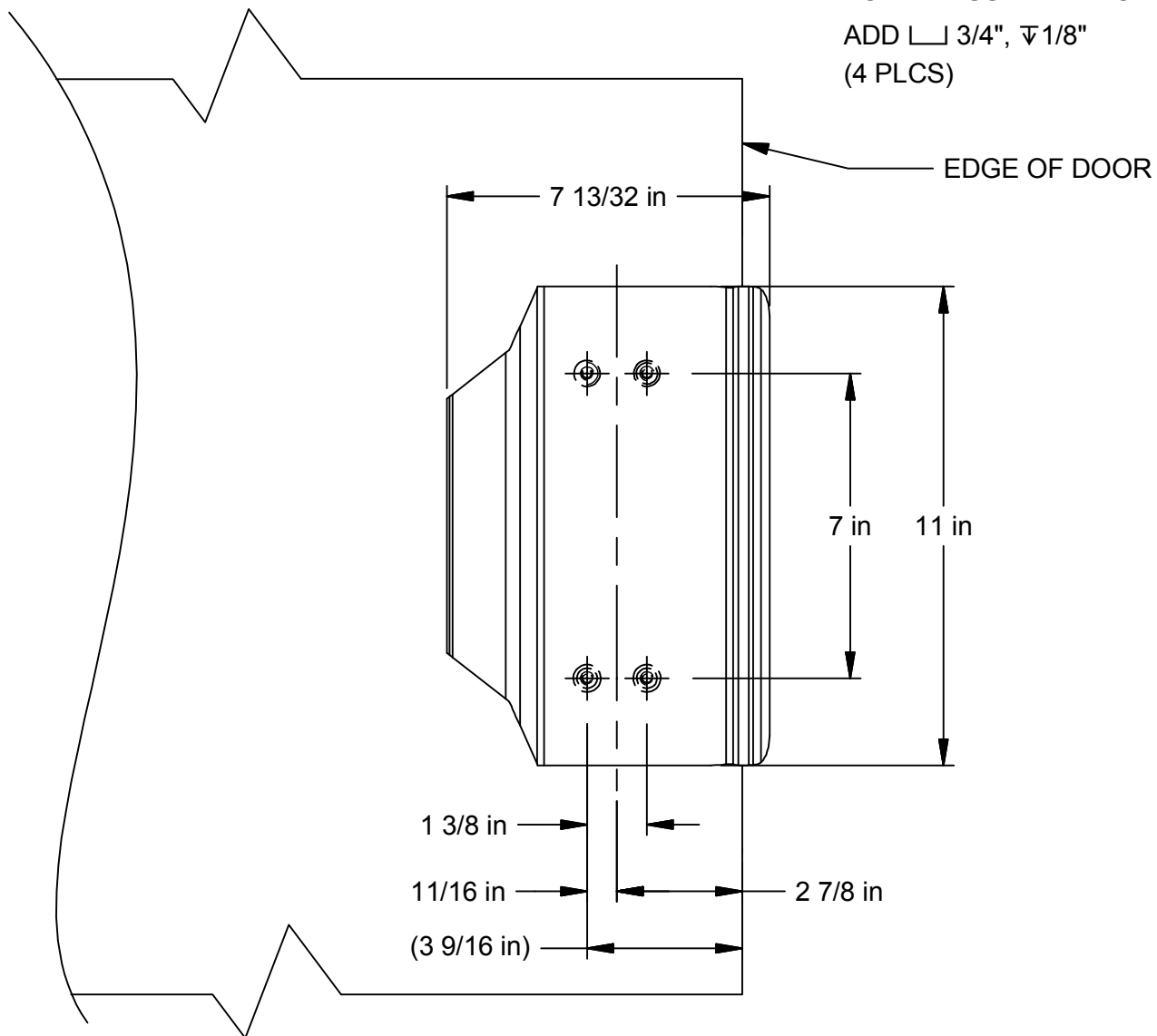


DRILL PREP FOR 1 3/4" DOORS:

FOR STAINLESS STEEL PULLS:
Ø1/2" HOLES, DEPTH OF 1 11/16"
(4 PLCS)

FOR BRASS AND BRONZE PULLS:

ADD \square 3/4", ∇ 1/8"
(4 PLCS)



FOR SINGLE DOORS ONLY
(CONTACT FACTORY FOR DOUBLE DOOR INSTALLATION)
DO NOT USE THIS TEMPLATE IF
MATING TO RIM, EXIT, OR PANIC DEVICES.

PATENT NO. 354670

NOTE: This template is provided for use only on the job for which it was requested.
Trimco reserves the right to make design changes without notice. Trimco will
not be responsible for errors or damage caused by the use of out-of-date templates.

DATE

05/10/16