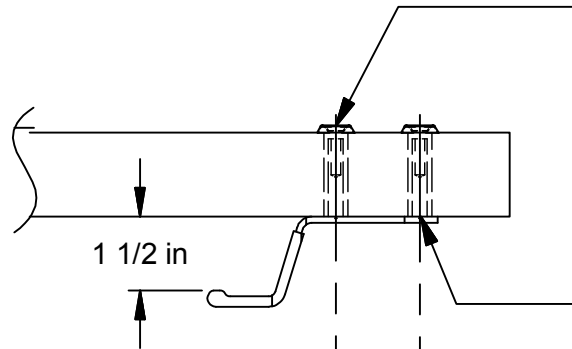


LEFT HAND REVERSE  
SHOWN

DRILL PREP FOR 1 3/4" DOORS:

Ø 9/32" HOLE FOR 1/4-20 X 1" FH,  
PHILLIPS DRIVE SCREW, USE FINISHING  
WASHERS PROVIDED  
(4 PLCS)

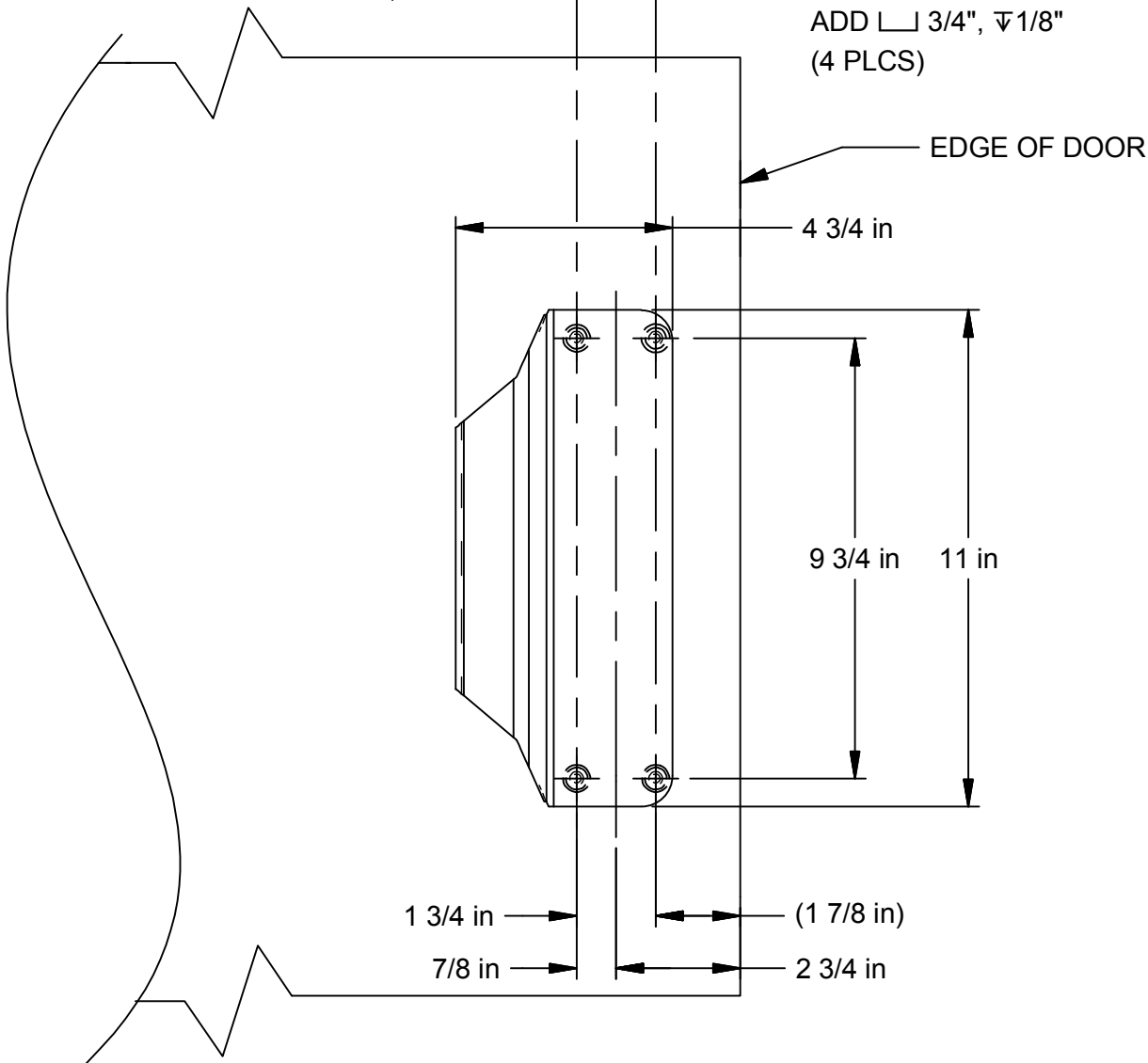


DRILL PREP FOR 1 3/4" DOORS:

**FOR STAINLESS STEEL PULLS:**  
Ø1/2" HOLES, DEPTH OF 1 11/16"  
(4 PLCS)

**FOR BRASS AND BRONZE PULLS:**

ADD □ 3/4", ∇1/8"  
(4 PLCS)



DO NOT USE THIS TEMPLATE IF  
MATING TO RIM, EXIT, OR PANIC DEVICES.

PATENT NO. 354670

NOTE: This template is provided for use only on the job for which it was requested. Trimco reserves the right to make design changes without notice. Trimco will not be responsible for errors or damage caused by the use of out-of-date templates.

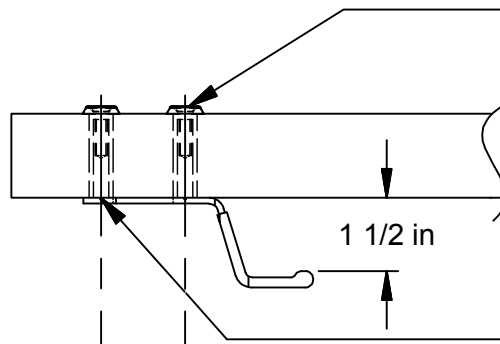
DATE

05/10/16

RIGHT HAND REVERSE  
SHOWN

DRILL PREP FOR 1 3/4" DOORS:

Ø 9/32" HOLE FOR 1/4-20 X 1" FH,  
PHILLIPS DRIVE SCREW, USE FINISHING  
WASHERS PROVIDED  
(4 PLCS)

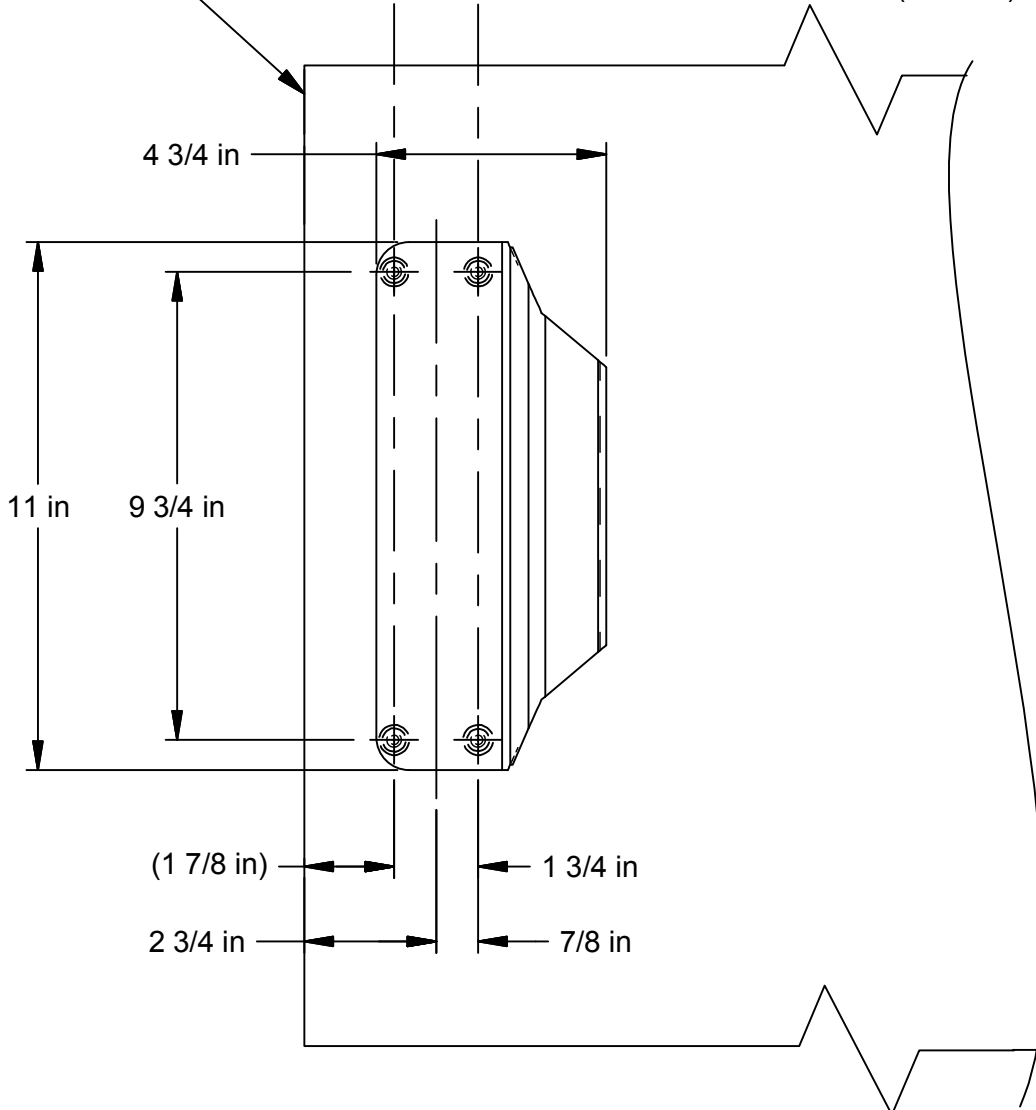


DRILL PREP FOR 1 3/4" DOORS:  
**FOR STAINLESS STEEL PULLS:**  
Ø1/2" HOLES, DEPTH OF 1 11/16"  
(4 PLCS)

**FOR BRASS AND BRONZE PULLS:**

ADD □ 3/4", ▽ 1/8"  
(4 PLCS)

EDGE OF DOOR



DO NOT USE THIS TEMPLATE IF  
MATING TO RIM, EXIT, OR PANIC DEVICES

PATENT NO. 354670

NOTE: This template is provided for use only on the job for which it was requested. Trimco reserves the right to make design changes without notice. Trimco will not be responsible for errors or damage caused by the use of out-of-date templates.

DATE

05/10/16