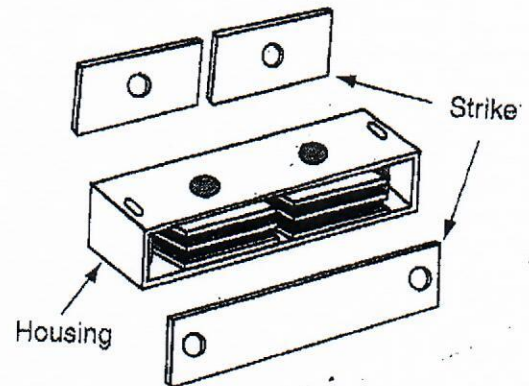


PART # 810 HEAVY DUTY MAGNETIC CATCH

HOUSING INSTALLATION:

Position the housing approximately 1/8" in from the outside edge of the doorstop. (The housing can be surface mounted or it can be mortised into the stop.) If there is no door stop position the housing on the jamb approximately 1/8" in from the inside of the door in its closed position. Make sure that the floating screw holes in the housing are centered in the adjustment slots. Insert the two long screws and mount on the door. **(DO NOT TIGHTEN THE SCREWS COMPLETELY).**



STRIKE INSTALLATION:

Place the strike(s) on the housing magnets with the prongs facing towards the door(s). Close the door(s) and mark the strike(s) with the prongs. Use the long strike for a single door (**Figure A**), or use the small strikes on a light pair of doors with the housing centered on the jamb. (**Figure B**). **(NOTE: For heavy pairs of doors you may require one catch for each door).**

Using the small screws, screw them into the strikes tightly. After the strikes are installed, adjust the housing for full contact with the strike(s). Finish up by tightening the two screws on the magnetic housing.

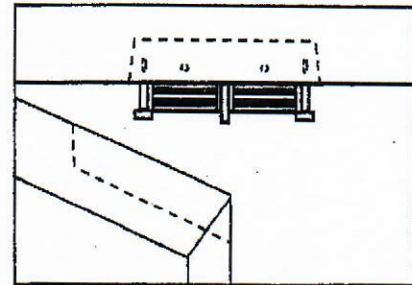


Figure A

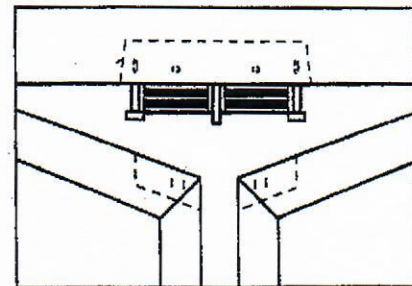


Figure B

