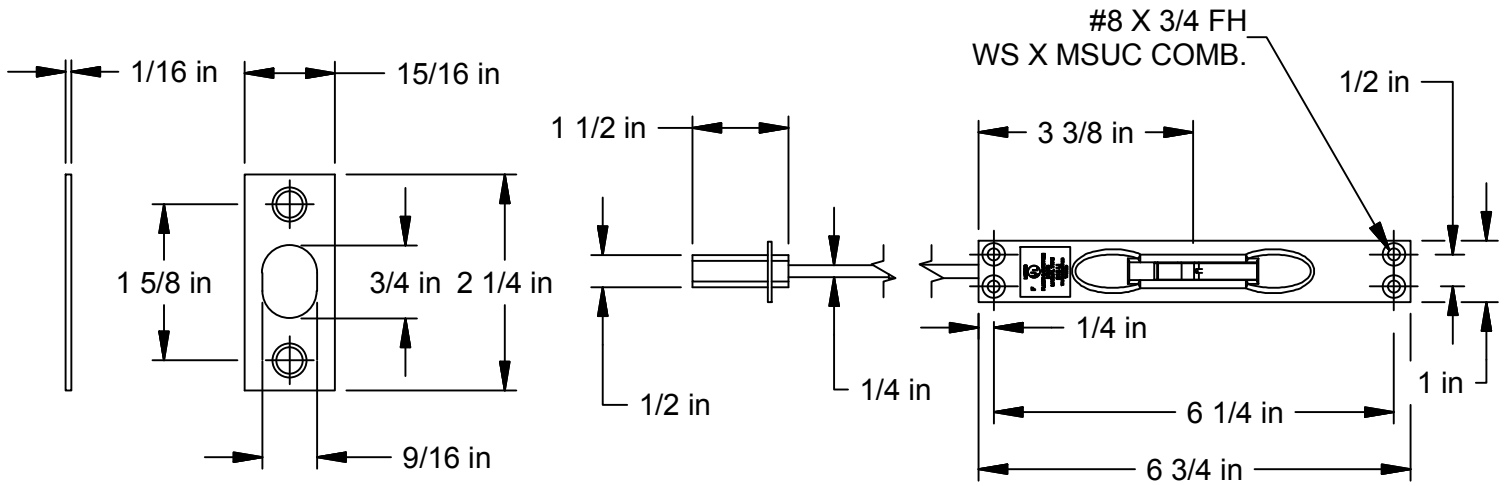
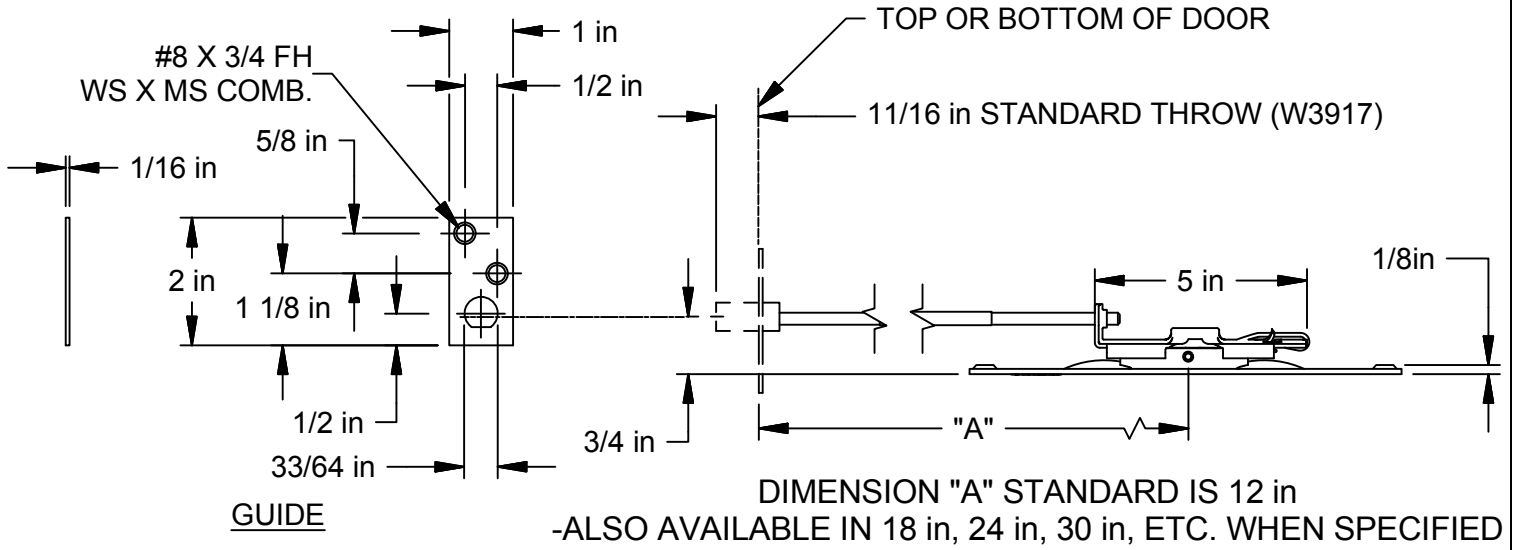


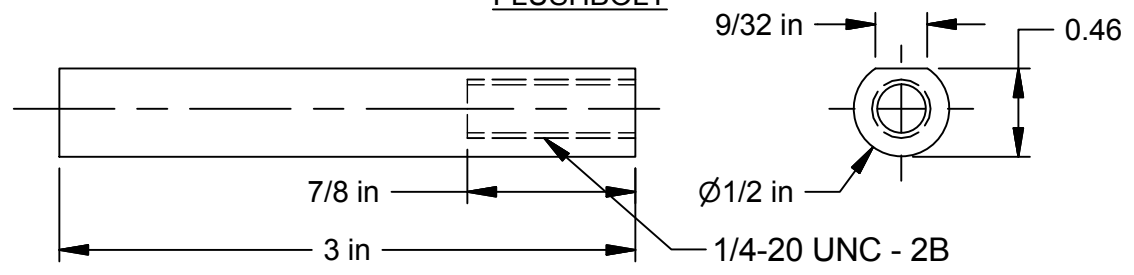
NOTES:

1. THIS CONFORMS TO AMERICAN STANDARD (A.S.A.) SPECIFICATION A1154-1359.
2. SUPPLIED WITH 1-1/2 IN LONG BOLTHEAD AS STANDARD.
3. APPLICATION: FOR HOLLOW METAL DOORS.



STRIKE

FLUSHBOLT



OPTIONAL 3917-3B BOLTHEAD

PATENT # 4315647

REVISIONS:
1.8W WAS 5/20/04 DELETED 3/32 IN, DELETED *FOR W3917* FROM UL NOTE, SGHUG, 03/18/14
DELETED ALL REFERENCE TO 3917 AND 3917 E3
TITLE W3917 MANUAL FLUSHBOLT WAS 3917, W3917, 3917 E1 MANUAL FLUSH BOLT.
3/24/14 WAS: 1/8 IN ADDED 3/24 IN SGHUG, 03/17/14
UPDATED 2-12-13 TO REPLACE 11.96K BH
CORRECTED TITLE FROM "AUTO FLUSHBOLT" TO "MANUAL FLUSHBOLT".
ADDED 5.46, 7/8 IN AND (9/32 IN), MODIFIED DIM "A" NOTE, SGHUG, 12/04/13
CHANGED GUIDE DIM 24 IN WAS: 7/8 IN, SGHUG, 01/07/13

NOTE: This template is provided for use only on the job for which is was requested. Trimco reserves the right to make design changes without notice. Trimco will not be responsible for errors or damage caused by the use of out-of-date templates.

DATE
03/18/14