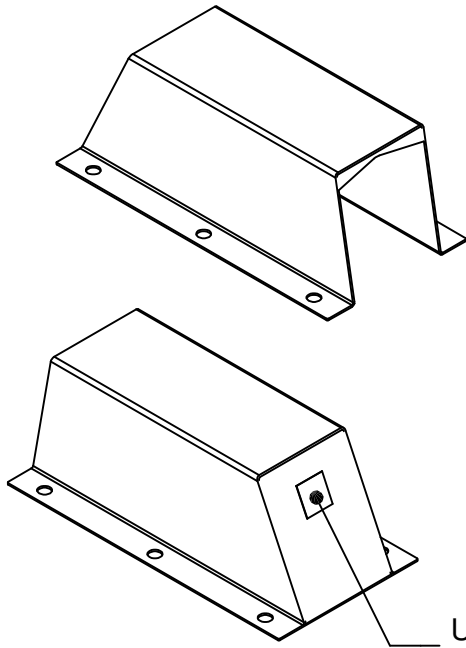
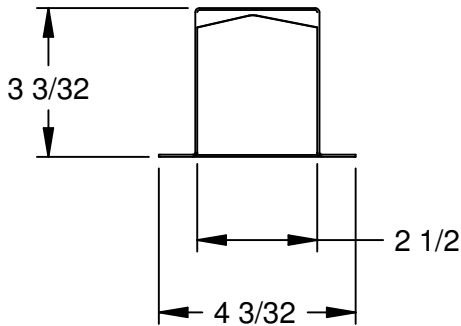
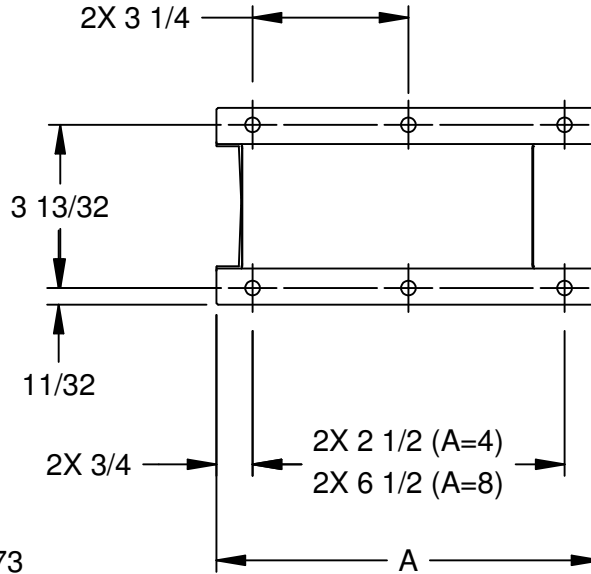




***PG8125VV-1 IS AS DRAWN, WITH 6 MOUNTING HOLES.
HOWEVER, PG8125VV-4 ONLY HAS 4 HOLES, THERE ARE
NO MIDDLE HOLES ON PG8125VV-4.



UL LABEL
#LPG81250073



PART NUMBER	DIMENSION A	# OF MOUNTING SCREWS
PG8125VV-1	8	6
PG8125VV-4	4	4

MOUNTING SCREWS SUPPLIED ARE: #10 X 1 FLAT HEAD,
PHILLIPS DRIVE SHEET METAL SCREWS.

REV RECORD: ADDED VIEW TO SHOW UL LABEL; CHANGED HOLE DIMENSIONING SCHEME. SCCJUG 07/05/16

NOTE: This template is provided for use only on the job for which is was requested.
Trimco reserves the right to make design changes without notice. Trimco will
not be responsible for errors or damage caused by the use of out-of-date templates.

DATE

07/05/16