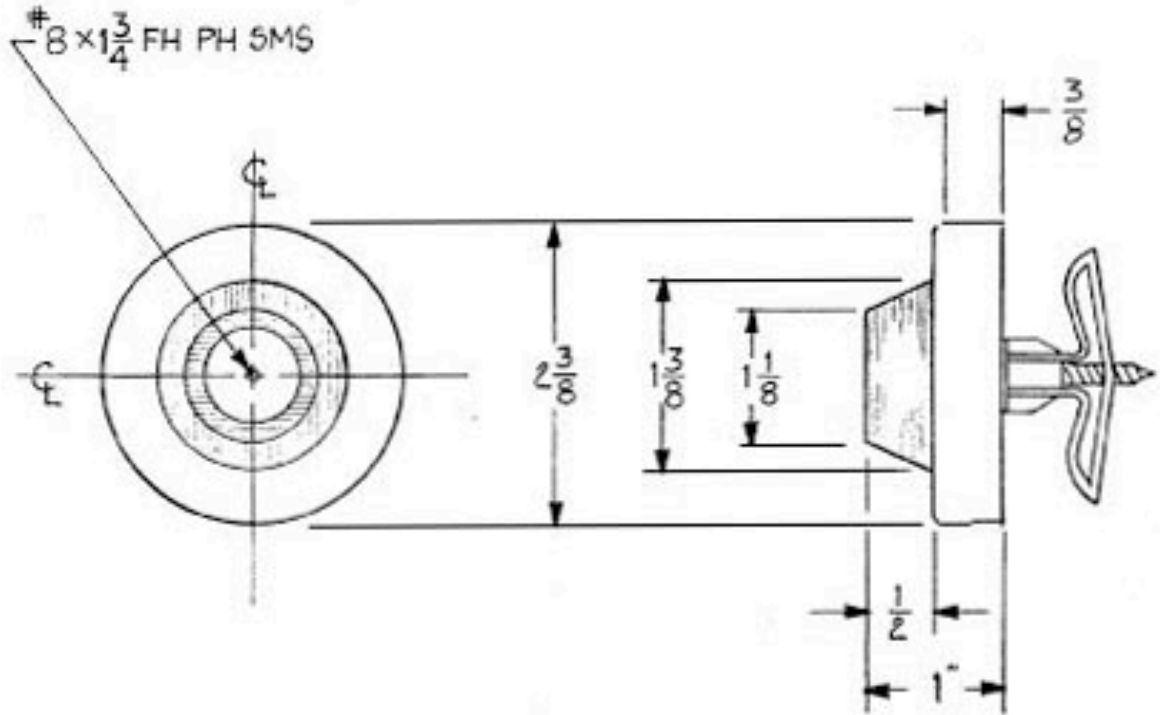


NOTES:

1. SUPPLIED WITH #8 PLASTIC WING ANCHOR.
2. CCS (CONCAVE) RUBBER BUMPER SHOWN
CS (CONVEX) RUBBER BUMPER AVAILABLE

REVISIONS

LTR	DESCRIPTION	DATE	CHECKED
-	NEW DWG.	12-13-94	<i>[Signature]</i>
A	ADDED NOTE 2.	9-15-95	<i>[Signature]</i>



Book No. Date Requested:
 This template is provided for use only on
 the job for which it was requested.
 Trimco/BBW reserves the right to make
 design changes without notice.

Trimco / BBW
 Triangle Brass Manufacturing Company, Inc.
 3528 Emery Street, P.O. Box 23277
 Los Angeles, CA 90023, USA

SCALE NONE

TITLE
 7276, W7276
 WALL BUMPER

DRAWN BY T.A. 12-13-94

PART NO
 A DWG. NO. 11342