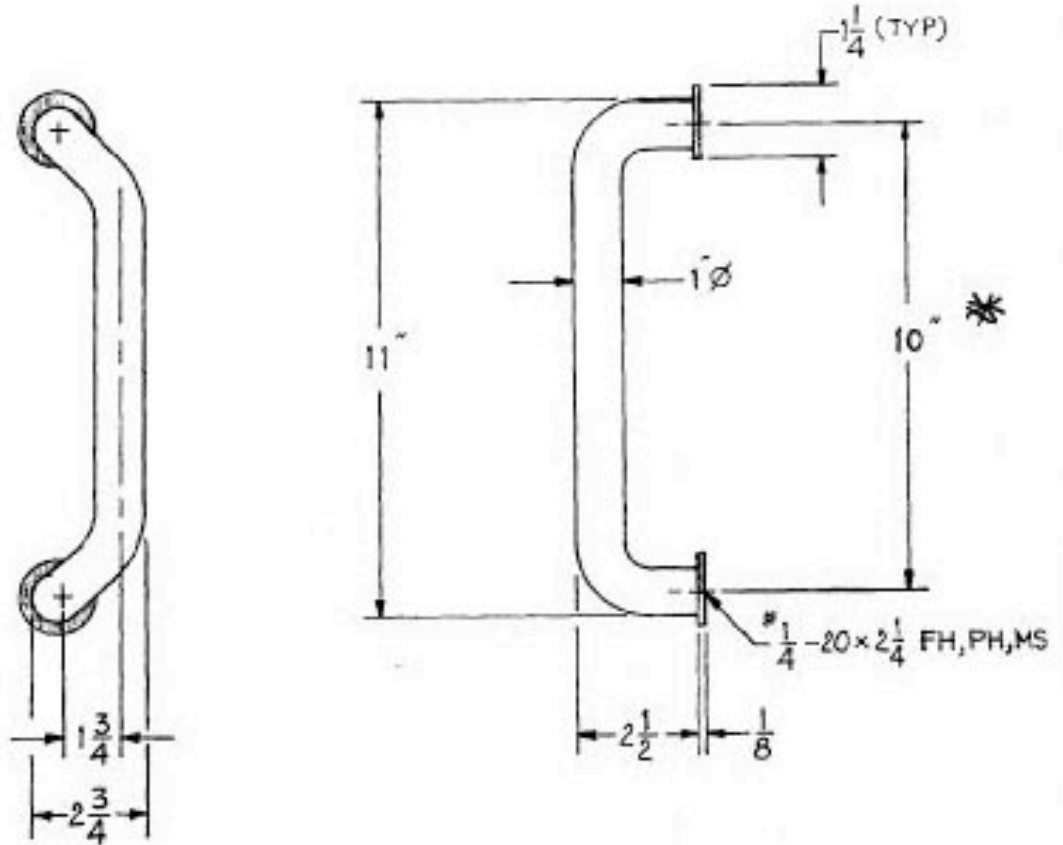


NOTES:

1. SEE MOUNTING METHODS.

REVISIONS

LTR	DESCRIPTION	DATE	CHECKED
—	NEW DWG.	12-27-94	<i>[Signature]</i>



* 10" CTC 7191-2
 12" CTC 7191-3
 14" CTC 7191-4

Book No. _____ Date Requested: _____
 This template is provided for use only on
 the job for which it was requested.
 Trimco/BBW reserves the right to make
 design changes without notice.

Trimco / BBW
 Orange Brass Manufacturing Company, Inc.
 3528 Emery Street, P.O. Box 23277
 Los Angeles, CA 90023, USA

SCALE NONE

DRAWN BY T A 12-27-94

TITLE 7191
 45 OFFSET

PART NO

A DWG NO. 11251