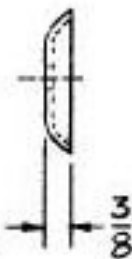
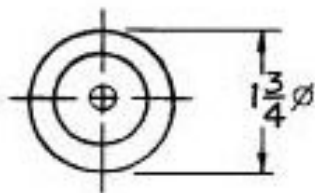
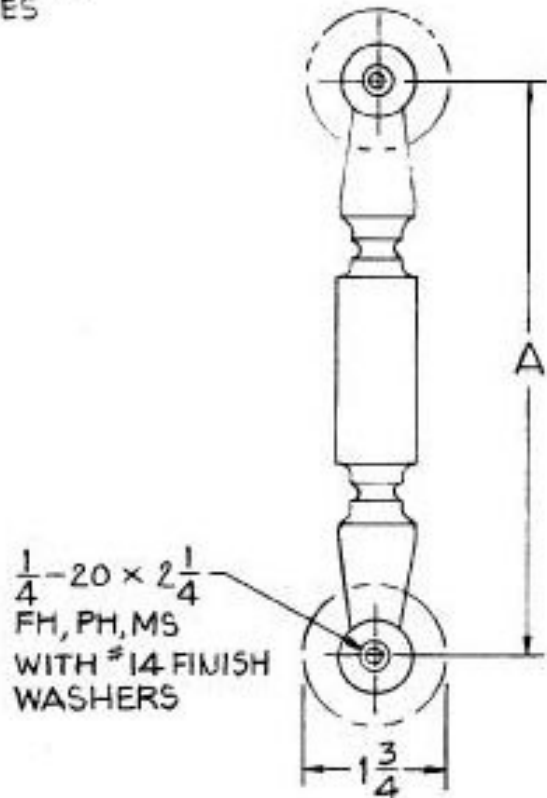
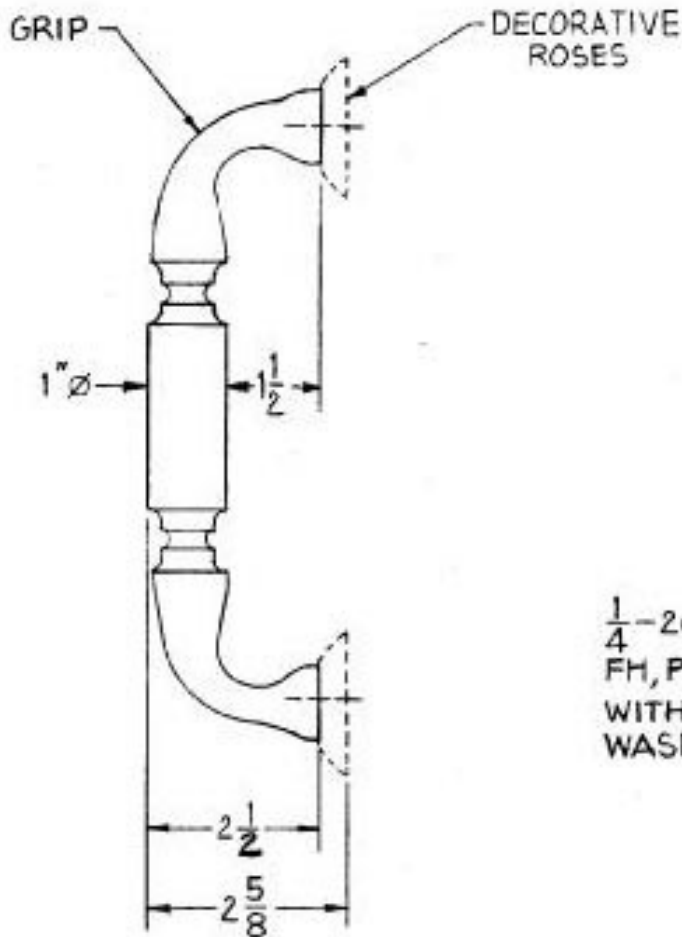


NOTES:

REVISIONS

LTR	DESCRIPTION	DATE	CHECKED
-	NEW DWG.	5-19-95	<i>[Signature]</i>
A	CHANGED: DIM. 1 1/2 WAS 1 1/4	9-21-95	<i>[Signature]</i>



DECORATIVE ROSE (#57 ONLY)

P/N	A
57	8"
58	8"
59	10"

Book No. Date Requested:
 This template is provided for use only on the job for which it was requested.
 Trimco/BBW reserves the right to make design changes without notice.

Trimco / BBW
 Triangle Brass Manufacturing Company, Inc.
 3528 Emery Street, P.O. Box 23277
 Los Angeles, CA 90023, USA

SCALE NONE

TITLE 57, 58, 59
 CLASSIC GRIP

PART NO

DRAWN BY T.A. 5-19-95

A DWG. NO. 11461