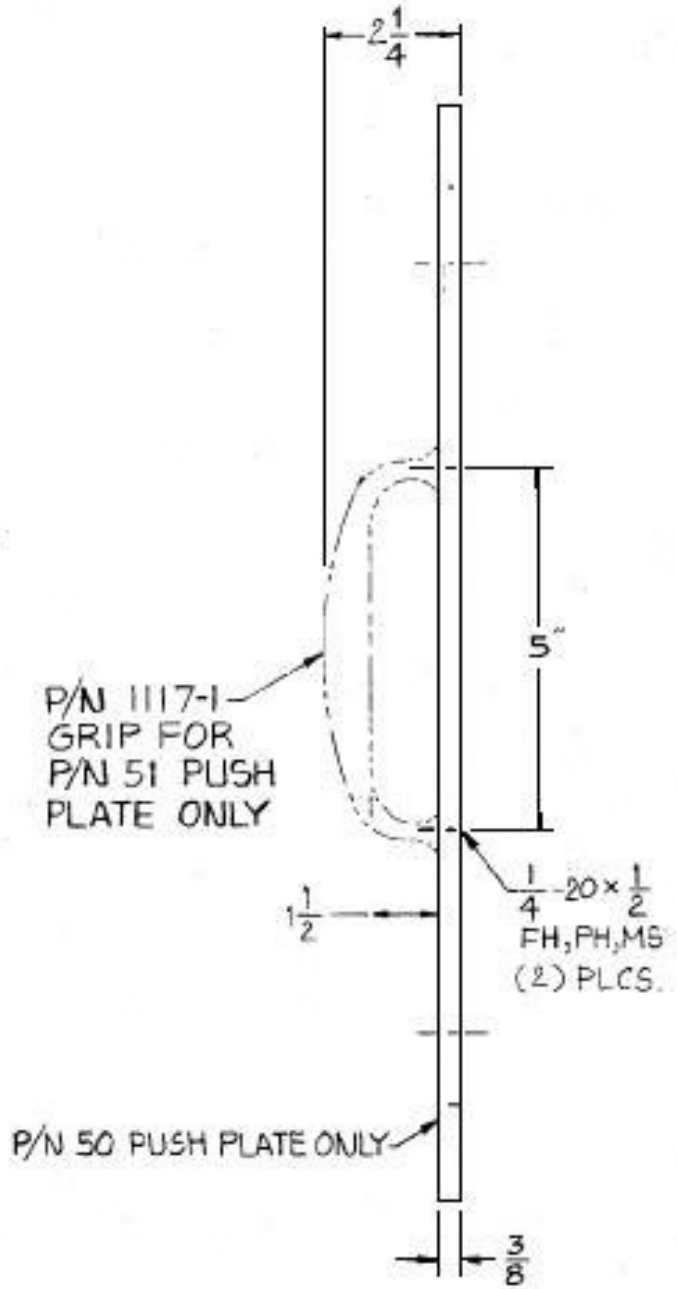
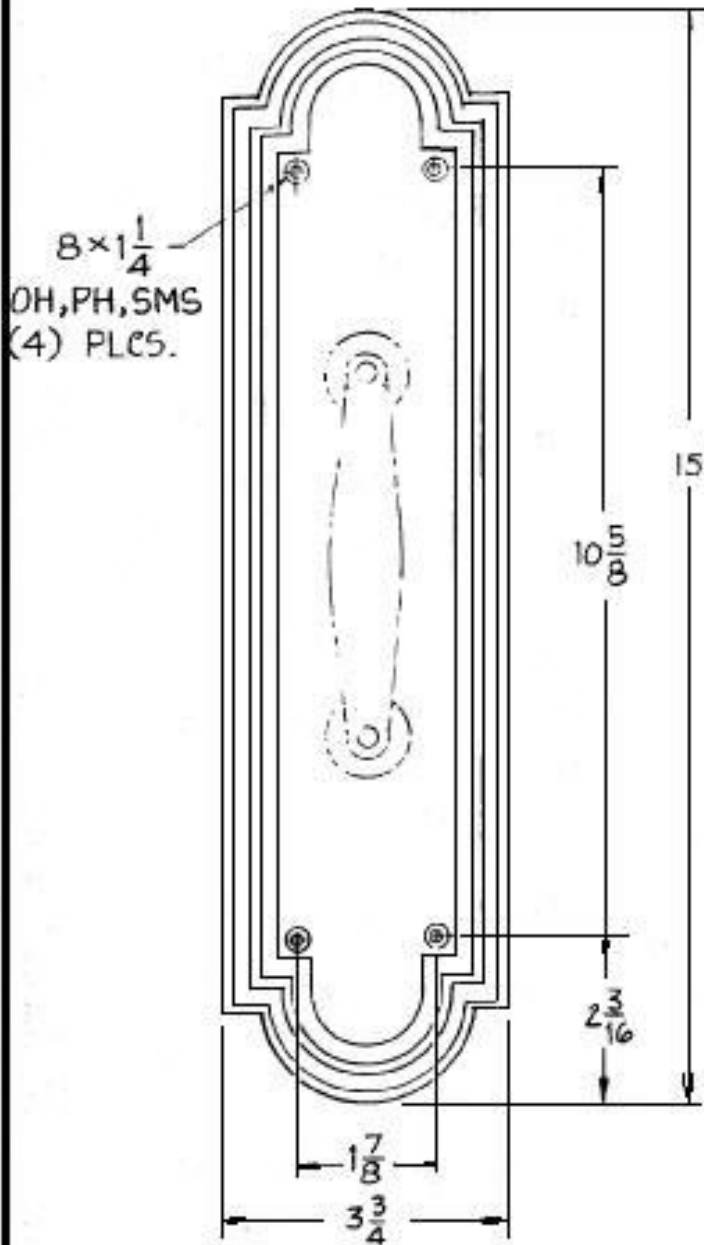


NOTES:

1. DO NOT PREDRILL DOOR.

REVISIONS

LTR	DESCRIPTION	DATE	CHECKED
-	NEW DWG.	6-14-95	<i>[Signature]</i>



Book No. Date Requested:
 This template is provided for use only on
 the job for which it was requested.
 Trimco/BBW reserves the right to make
 design changes without notice.



3528 Emery Street, P.O. Box 23277
 Los Angeles, CA 90023, USA

SCALE	
DRAWN BY	T.A. 6-14-95

TITLE	50, 51 CLASSIC PUSH PLATE
PART NO	
DWG. NO.	A 11475