

TEMPLATE NO.

17100



3528 Emery Street
PO Box 23277
Los Angeles, CA 90023-0277
(323) 262-4191
www.trimcobbw.com

PRODUCT

5022
UNIT TO CYLINDER
LOCK FILLER

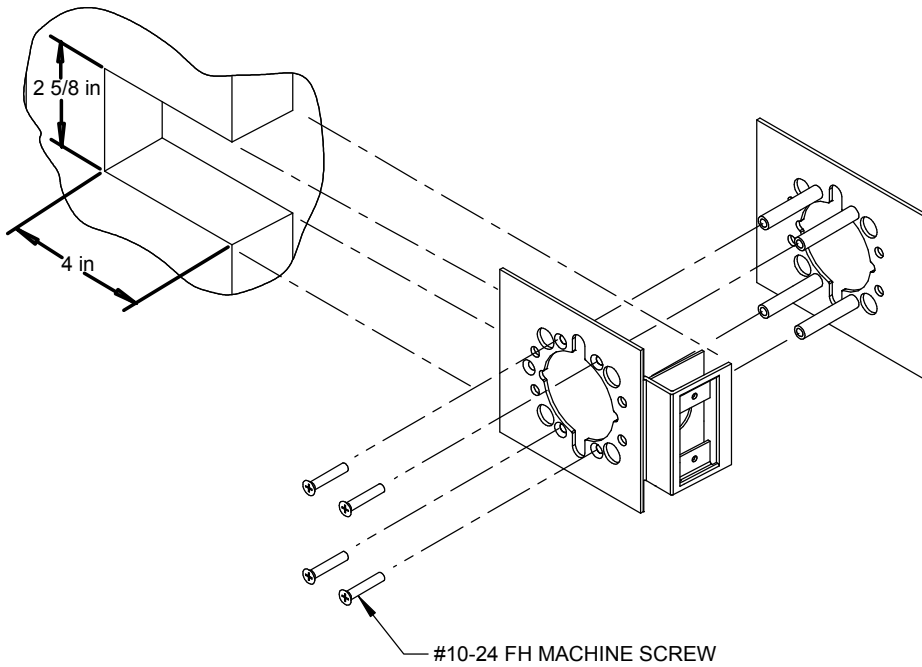


FIG.1

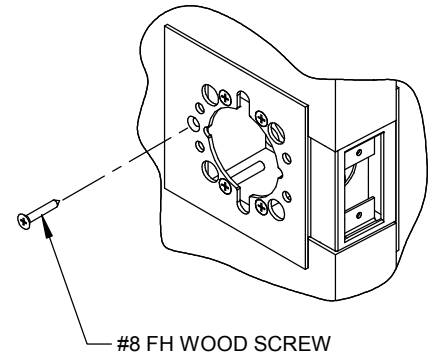
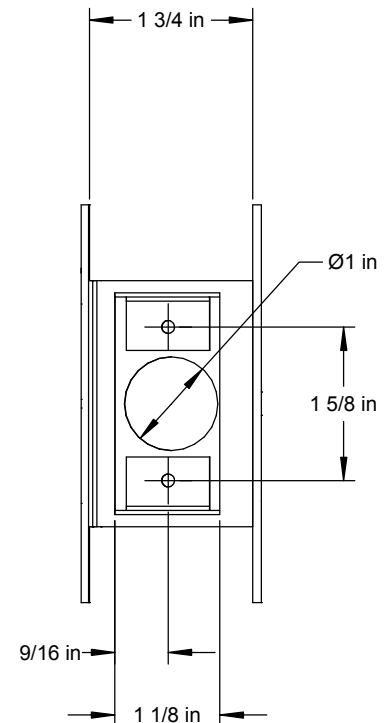
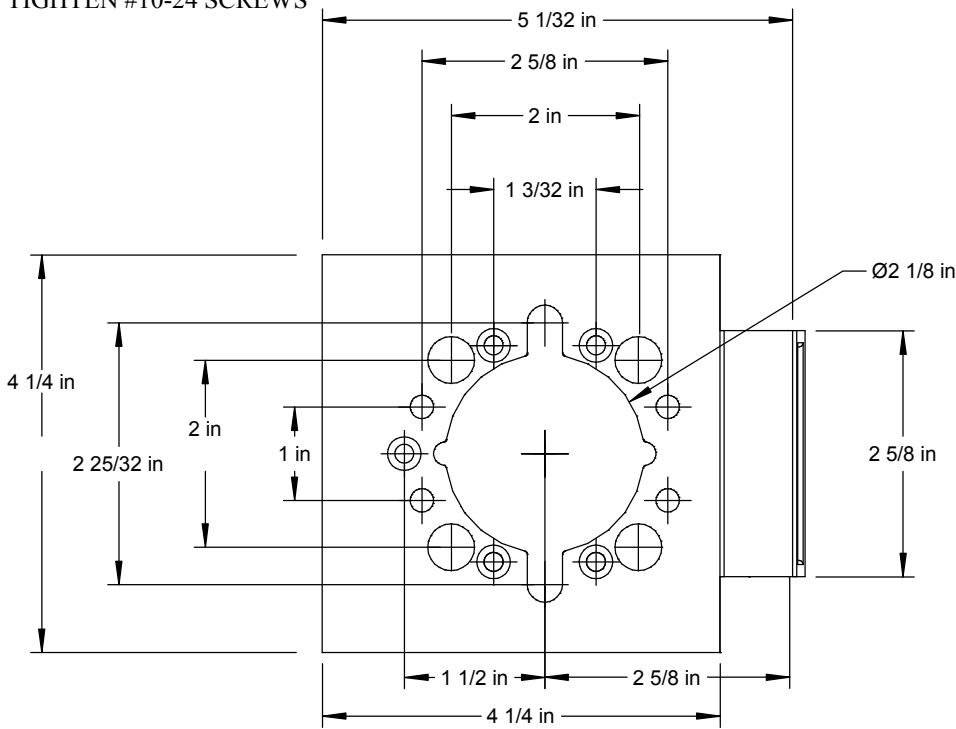


FIG.2

INSTALLATION:

- INSERT AND LOOSELY FASTEN #10-24 SCREWS (FIG.1)
- INSERT ASSEMBLY INTO DOOR
- INSTALL #8 WOOD SCREW (FIG.2)
- TIGHTEN #10-24 SCREWS



REVISION RECORD: ADDED CUTOUT DIMENSIONS, 2 5/8" AND 4" (UPPER LEFT CORNER); SGH/JG, 09/07/12
SUSPENSES PREVIOUS REVISION DATED: 07/15/04

NOTE: This template is provided for use only on the job for which it was requested. Trimco reserves the right to make design changes without notice. Trimco will not be responsible for errors or damage caused by the use of out-of-date templates.

DATE

09/07/12