

TEMPLATE NO.

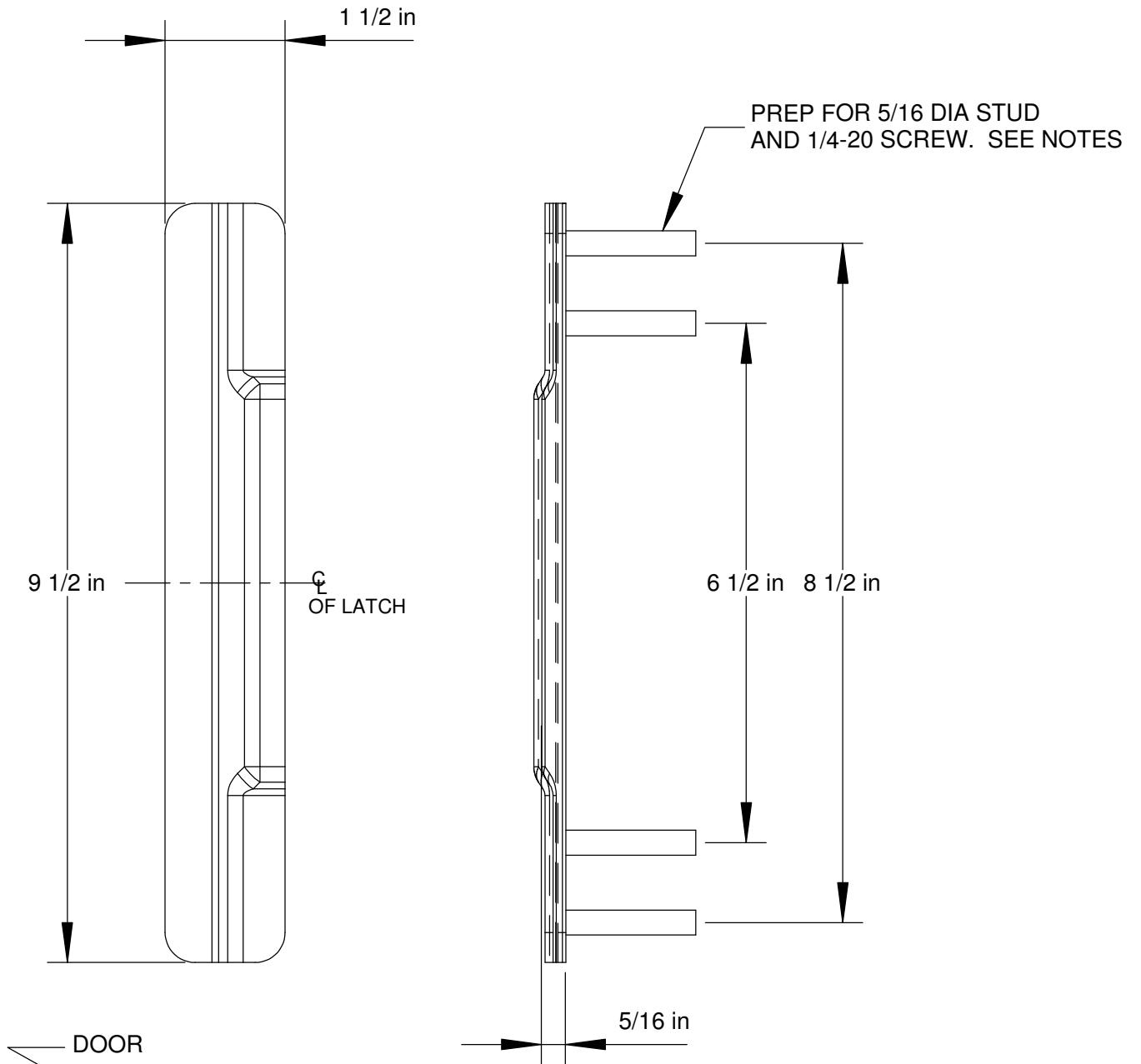
17069  
PG 1 OF 2



3825 Emery Street  
PO Box 23277  
Los Angeles, CA 90023-0277  
(323) 262-4191  
www.trimcobbw.com

PRODUCT

5001 NARROW ASTRIGAL

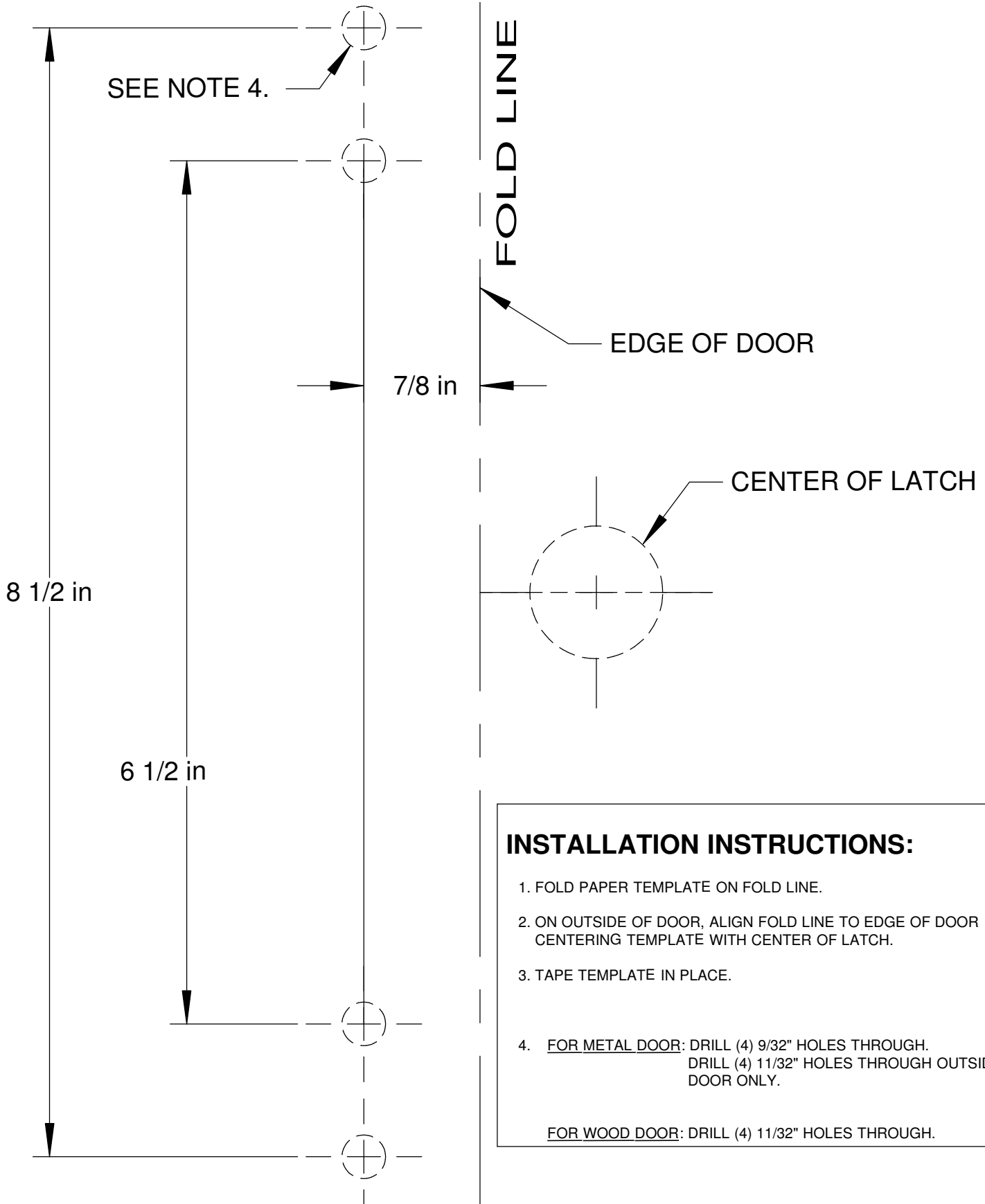


NOTES:  
FASTENERS ARE FOR 1-3/4" THICK WOOD/METAL DOORS.  
FOR HOLLOW METAL DOOR INSTALLATION USE 9/32 DRILL BIT ON OUTSIDE SURFACE. USE 11/32 DRILL BIT ON OUTSIDE SURFACE.  
FOR WOOD DOOR INSTALLATION USE 11/32 DRILL BIT.

NOTE: This template is provided for use only on the job for which it was requested. Trimco reserves the right to make design changes without notice. Trimco will not be responsible for errors or damage caused by the use of out-of-date templates.

DATE

5/25/2004



**INSTALLATION INSTRUCTIONS:**

1. FOLD PAPER TEMPLATE ON FOLD LINE.
2. ON OUTSIDE OF DOOR, ALIGN FOLD LINE TO EDGE OF DOOR CENTERING TEMPLATE WITH CENTER OF LATCH.
3. TAPE TEMPLATE IN PLACE.
4. FOR METAL DOOR: DRILL (4) 9/32" HOLES THROUGH.  
DRILL (4) 11/32" HOLES THROUGH OUTSIDE OF DOOR ONLY.

FOR WOOD DOOR: DRILL (4) 11/32" HOLES THROUGH.

**NOTE:** This template is provided for use only on the job for which it was requested. Trimco reserves the right to make design changes without notice. Trimco will not be responsible for errors or damage caused by the use of out-of-date templates.

**DATE**

9/04/2004