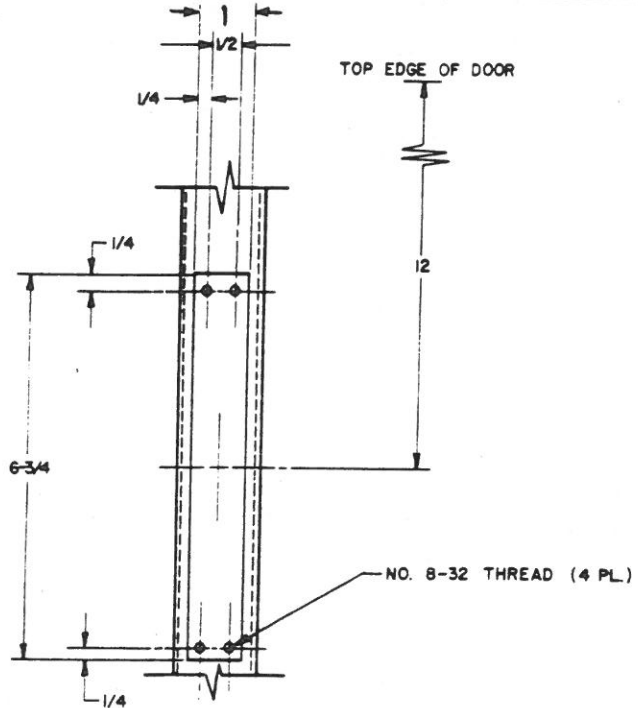
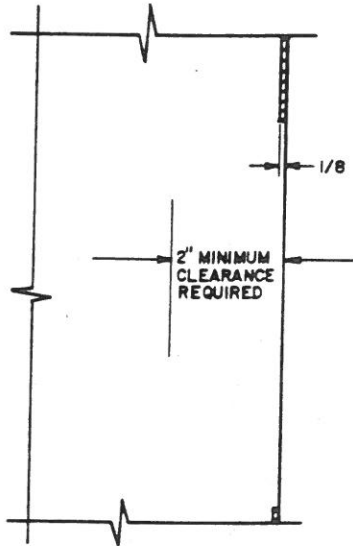
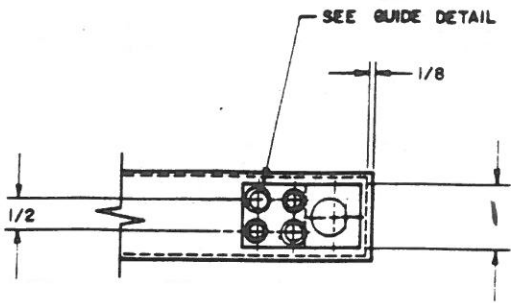
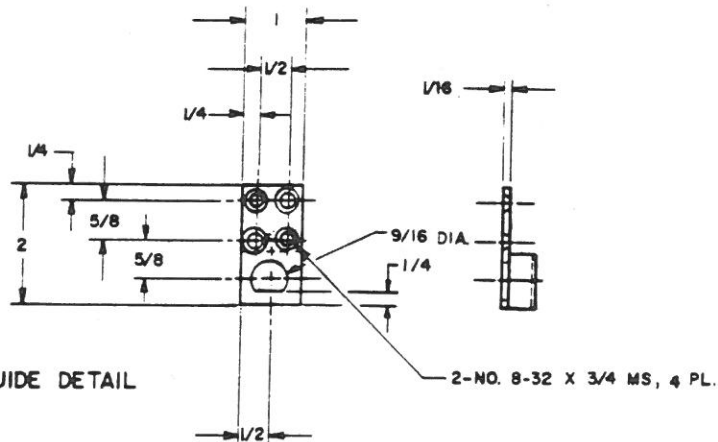


## REVISIONS

LTR	DESCRIPTION	DATE	CHECKED
-	NEW DRAWING	1/26/88	IJS
A	REDRAWN	8/30/88	IJS
B	MODIFIED GUIDE	3/27/89	IJS
C	REVISED	TA-9-22-95	<i>elf</i>



**FIGURE 1**



**GUIDE DETAIL**



PATENT #5004277  
© TRIMCO, 1988

PAGE 1 OF 2

**Trimco / BBW**  
Triangle Brass Manufacturing Company Inc.  
3528 Emery Street, P.O. Box 23277  
Los Angeles, CA 90023, USA

INSTALLATION 3820  
SEMI-AUTO FLUSH BOLTS  
(METAL DOOR)

**DRAWN BY: LAR**

Book No. \_\_\_\_\_ Date Requested: \_\_\_\_\_  
This template is provided for use only on  
the job for which it was requested.  
Trimco reserves the right to make design  
changes without notice. 10255

## REVISIONS

LTR	DESCRIPTION	DATE	CHECKED
	NEW DRAWING	1/26/88	IJS
A	REDRAWN	8/30/88	IJS
B	MODIFIED GUIDE	3/27/89	IJS
C	REVISED	9-22-95	<i>[Signature]</i>

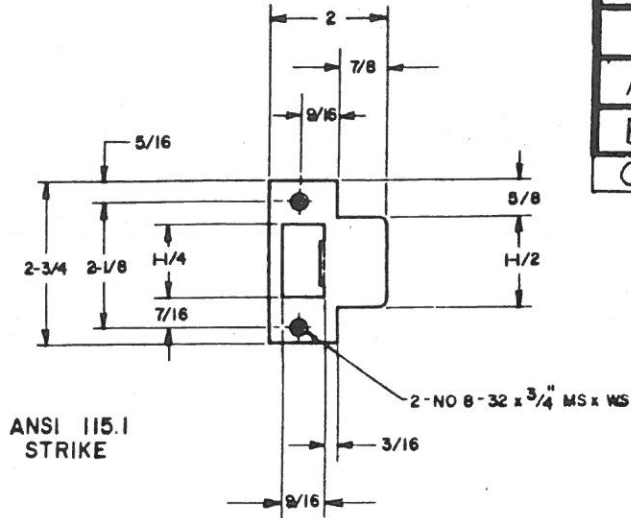


FIGURE 2

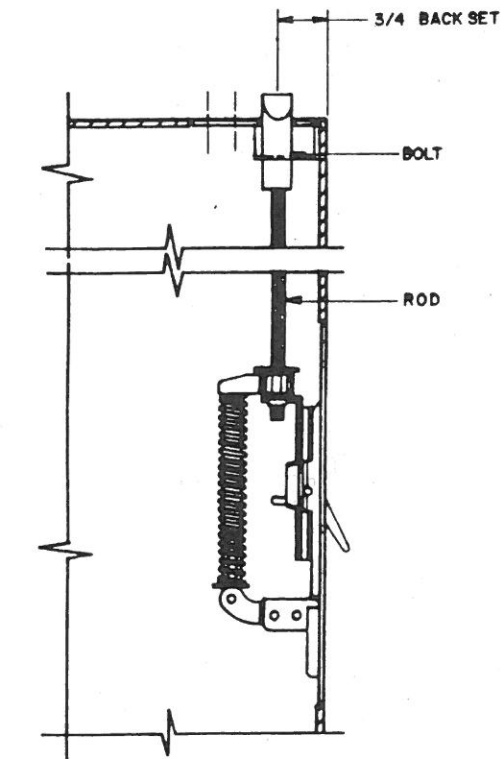
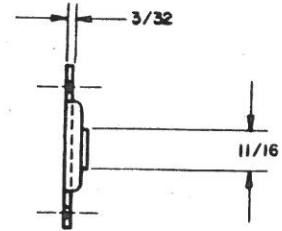
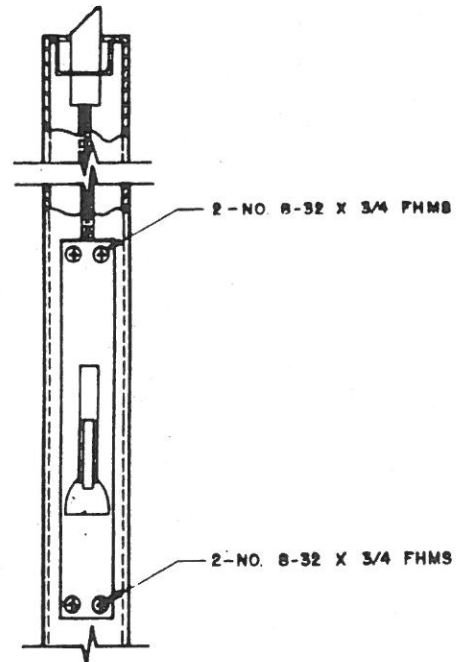


FIGURE 3



### INSTALLATION INSTRUCTIONS

- 1). PREPARE CORNER OF INACTIVE DOOR AS SHOWN IN FIGURE 1. (TOP CORNER SHOWN).
- 2). PREPARE FRAME FOR ANSI 115.1 STRIKE AS IN FIGURE 2. LOCATE STRIKE TO LINE UP WITH BOLT. INSTALL STRIKE.
- 3). INSTALL TRIMCO 3820 AS SHOWN IN FIGURE 3.
- 4). HANG DOOR.
- 5). ADJUST BOLT TO PROVIDE 1/8" CLEARANCE BETWEEN BOLT AND STRIKE WHEN FULLY RETRACTED TO ADJUST BOLT, REMOVE GUIDE AND ROTATE BOLT UP OR DOWN AS REQUIRED. REPLACE GUIDE.