

TEMPLATE NO.

18968  
SHT 1 OF 1



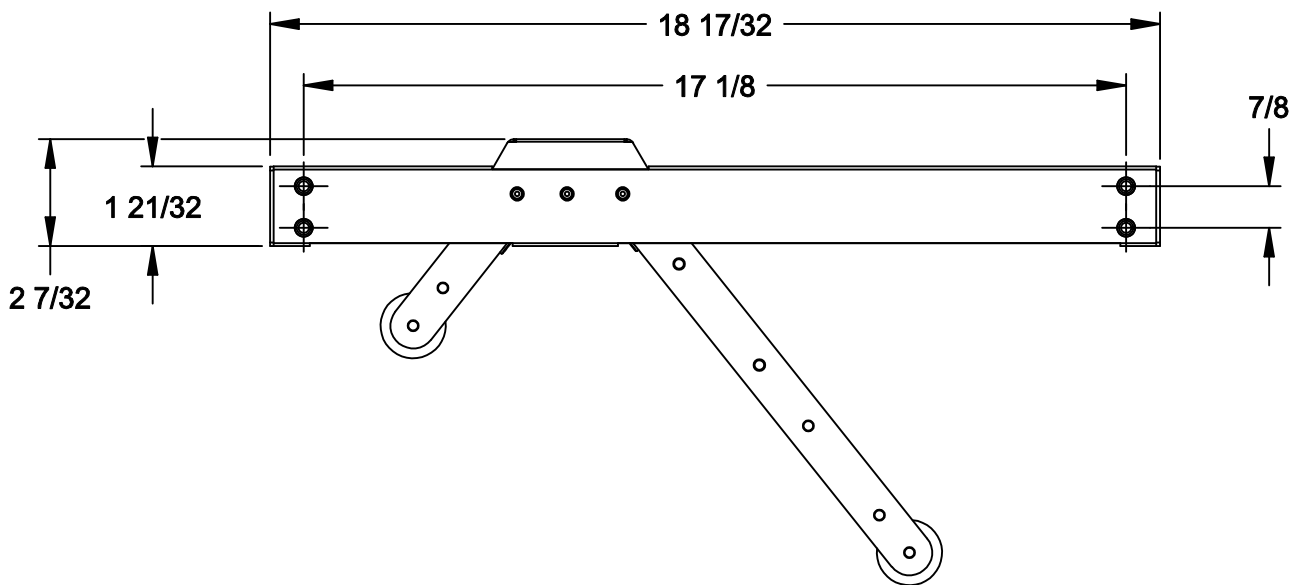
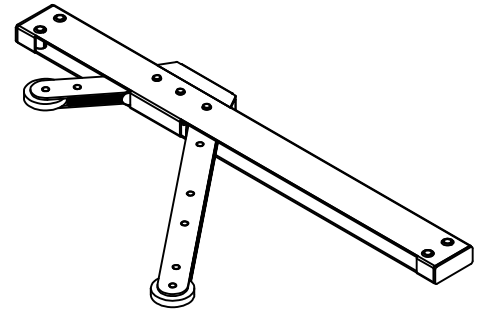
**Trimco**

3528 Emery Street  
PO BOX 23277  
Los Angeles, CA 90023-0277  
(323)262-4191 www.trimcobbw.com  
email:info@trimcobbw.com

PRODUCT

3092  
RETRACTING ARM  
COORDINATOR

SUPPLIED WITH FOUR (4) EACH #12 X 3/4 TRUSS HEAD SHEET METAL SCREWS  
AND FOUR (4) #12 X 1-1/4 TRUSS HEAD SHEET METAL SCREWS



EACH UNIT IS SHIPPED WITH DETAILED MOUNTING INSTRUCTIONS  
(REFER TO MOUNTING TEMPLATES 18114 AND 18113)

NOTE: This template is provided for use only on the job for which is was requested.  
Trimco reserves the right to make design changes without notice. Trimco will  
not be responsible for errors or damage caused by the use of out-of-date templates.

DATE

10/23/08