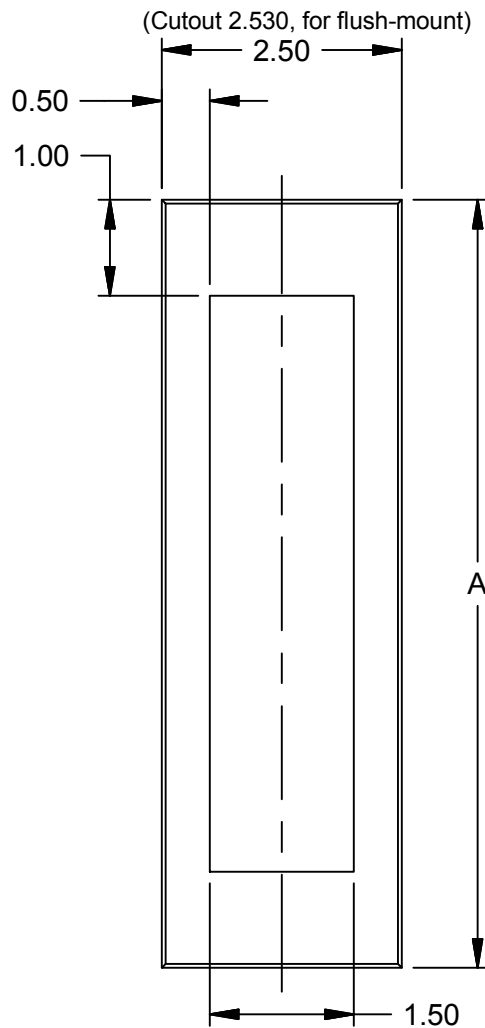
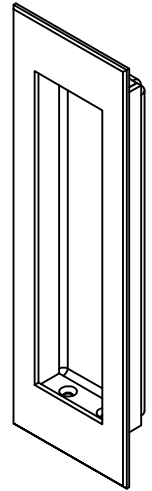
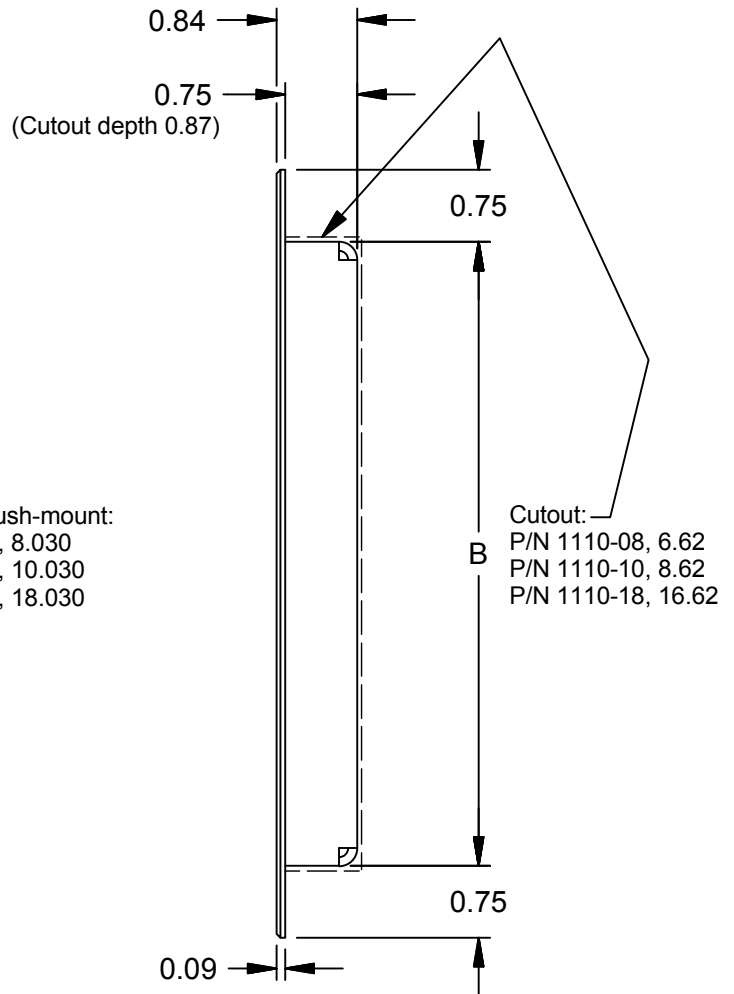


PART #	DIM "A"	DIM "B"
1110-08	8.0	6.5
1110-10	10.0	8.5
1110-18	18.0	16.5



Cutout, for flush-mount:  
P/N 1110-08, 8.030  
P/N 1110-10, 10.030  
P/N 1110-18, 18.030



Cutout:  
P/N 1110-08, 6.62  
P/N 1110-10, 8.62  
P/N 1110-18, 16.62

SUPPLIED WITH FOUR (4) #6 X 3/4" FLUSH HEAD SHEET METAL SCREWS