



1562A, 1562AP TEMPLATE

(ALSO USED FOR 1563A, 1563AP, 1580A, 1580AP, 1581A, 1581AP)

IMPORTANT:
READ ALL INSTRUCTIONS CAREFULLY
BEFORE PREPARING DOOR

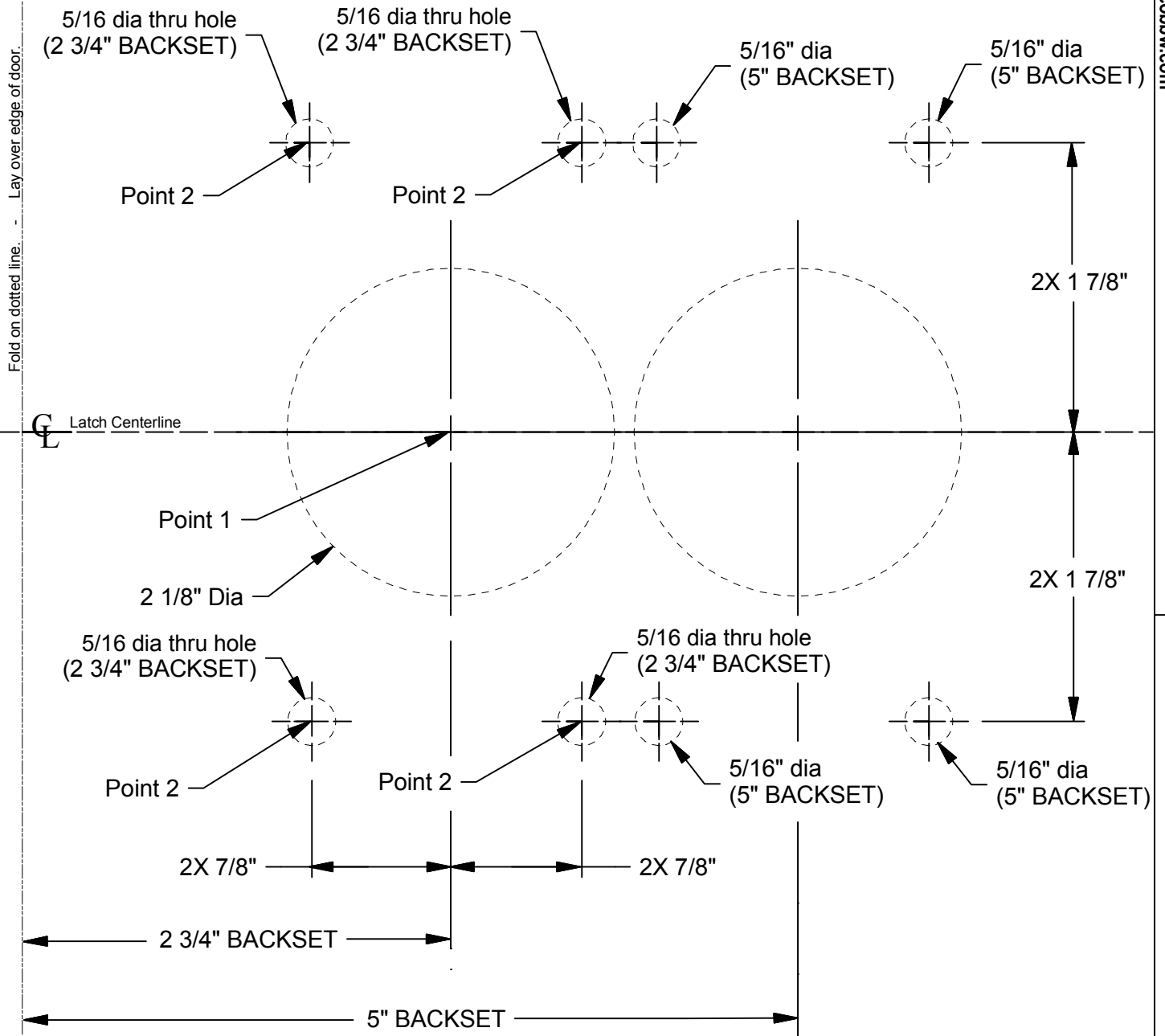
RH or LHR DOOR

(RIGHT HAND or LEFT HAND REVERSE)

LATCH TEMPLATE

LEVER ASSY & LATCH TEMPLATE

See Sheet 3 or 4
as applicable*
for door edge prep
specifications



Fold on dotted line. - Lay over edge of door.

*FOR 3652 ("C") STRIKE, (ASA STRIKE) - SEE SHEET 3
FOR 3651 ("B") STRIKE, (T-STRIKE) - SEE SHEET 4

NOTE: This template is provided for use only on the job for which it was requested.
Trimco reserves the right to make design changes without notice. Trimco will
not be responsible for errors or damage caused by the use of out-of-date templates.

REVISIONS REQUESTED:
SHEETS 1, 2, 3, 4, 5, 6, 7, 8, 9, 10, 11, 12, 13, 14, 15, 16, 17, 18, 19, 20, 21, 22, 23, 24, 25, 26, 27, 28, 29, 30, 31, 32, 33, 34, 35, 36, 37, 38, 39, 40, 41, 42, 43, 44, 45, 46, 47, 48, 49, 50, 51, 52, 53, 54, 55, 56, 57, 58, 59, 60, 61, 62, 63, 64, 65, 66, 67, 68, 69, 70, 71, 72, 73, 74, 75, 76, 77, 78, 79, 80, 81, 82, 83, 84, 85, 86, 87, 88, 89, 90, 91, 92, 93, 94, 95, 96, 97, 98, 99, 100, 101, 102, 103, 104, 105, 106, 107, 108, 109, 110, 111, 112, 113, 114, 115, 116, 117, 118, 119, 120, 121, 122, 123, 124, 125, 126, 127, 128, 129, 130, 131, 132, 133, 134, 135, 136, 137, 138, 139, 140, 141, 142, 143, 144, 145, 146, 147, 148, 149, 150, 151, 152, 153, 154, 155, 156, 157, 158, 159, 160, 161, 162, 163, 164, 165, 166, 167, 168, 169, 170, 171, 172, 173, 174, 175, 176, 177, 178, 179, 180, 181, 182, 183, 184, 185, 186, 187, 188, 189, 190, 191, 192, 193, 194, 195, 196, 197, 198, 199, 200, 201, 202, 203, 204, 205, 206, 207, 208, 209, 210, 211, 212, 213, 214, 215, 216, 217, 218, 219, 220, 221, 222, 223, 224, 225, 226, 227, 228, 229, 230, 231, 232, 233, 234, 235, 236, 237, 238, 239, 240, 241, 242, 243, 244, 245, 246, 247, 248, 249, 250, 251, 252, 253, 254, 255, 256, 257, 258, 259, 260, 261, 262, 263, 264, 265, 266, 267, 268, 269, 270, 271, 272, 273, 274, 275, 276, 277, 278, 279, 280, 281, 282, 283, 284, 285, 286, 287, 288, 289, 290, 291, 292, 293, 294, 295, 296, 297, 298, 299, 300, 301, 302, 303, 304, 305, 306, 307, 308, 309, 310, 311, 312, 313, 314, 315, 316, 317, 318, 319, 320, 321, 322, 323, 324, 325, 326, 327, 328, 329, 330, 331, 332, 333, 334, 335, 336, 337, 338, 339, 340, 341, 342, 343, 344, 345, 346, 347, 348, 349, 350, 351, 352, 353, 354, 355, 356, 357, 358, 359, 360, 361, 362, 363, 364, 365, 366, 367, 368, 369, 370, 371, 372, 373, 374, 375, 376, 377, 378, 379, 380, 381, 382, 383, 384, 385, 386, 387, 388, 389, 390, 391, 392, 393, 394, 395, 396, 397, 398, 399, 400, 401, 402, 403, 404, 405, 406, 407, 408, 409, 410, 411, 412, 413, 414, 415, 416, 417, 418, 419, 420, 421, 422, 423, 424, 425, 426, 427, 428, 429, 430, 431, 432, 433, 434, 435, 436, 437, 438, 439, 440, 441, 442, 443, 444, 445, 446, 447, 448, 449, 450, 451, 452, 453, 454, 455, 456, 457, 458, 459, 460, 461, 462, 463, 464, 465, 466, 467, 468, 469, 470, 471, 472, 473, 474, 475, 476, 477, 478, 479, 480, 481, 482, 483, 484, 485, 486, 487, 488, 489, 490, 491, 492, 493, 494, 495, 496, 497, 498, 499, 500, 501, 502, 503, 504, 505, 506, 507, 508, 509, 510, 511, 512, 513, 514, 515, 516, 517, 518, 519, 520, 521, 522, 523, 524, 525, 526, 527, 528, 529, 530, 531, 532, 533, 534, 535, 536, 537, 538, 539, 540, 541, 542, 543, 544, 545, 546, 547, 548, 549, 550, 551, 552, 553, 554, 555, 556, 557, 558, 559, 560, 561, 562, 563, 564, 565, 566, 567, 568, 569, 570, 571, 572, 573, 574, 575, 576, 577, 578, 579, 580, 581, 582, 583, 584, 585, 586, 587, 588, 589, 590, 591, 592, 593, 594, 595, 596, 597, 598, 599, 600, 601, 602, 603, 604, 605, 606, 607, 608, 609, 610, 611, 612, 613, 614, 615, 616, 617, 618, 619, 620, 621, 622, 623, 624, 625, 626, 627, 628, 629, 630, 631, 632, 633, 634, 635, 636, 637, 638, 639, 640, 641, 642, 643, 644, 645, 646, 647, 648, 649, 650, 651, 652, 653, 654, 655, 656, 657, 658, 659, 660, 661, 662, 663, 664, 665, 666, 667, 668, 669, 670, 671, 672, 673, 674, 675, 676, 677, 678, 679, 680, 681, 682, 683, 684, 685, 686, 687, 688, 689, 690, 691, 692, 693, 694, 695, 696, 697, 698, 699, 700, 701, 702, 703, 704, 705, 706, 707, 708, 709, 710, 711, 712, 713, 714, 715, 716, 717, 718, 719, 720, 721, 722, 723, 724, 725, 726, 727, 728, 729, 730, 731, 732, 733, 734, 735, 736, 737, 738, 739, 740, 741, 742, 743, 744, 745, 746, 747, 748, 749, 750, 751, 752, 753, 754, 755, 756, 757, 758, 759, 760, 761, 762, 763, 764, 765, 766, 767, 768, 769, 770, 771, 772, 773, 774, 775, 776, 777, 778, 779, 780, 781, 782, 783, 784, 785, 786, 787, 788, 789, 790, 791, 792, 793, 794, 795, 796, 797, 798, 799, 800, 801, 802, 803, 804, 805, 806, 807, 808, 809, 810, 811, 812, 813, 814, 815, 816, 817, 818, 819, 820, 821, 822, 823, 824, 825, 826, 827, 828, 829, 830, 831, 832, 833, 834, 835, 836, 837, 838, 839, 840, 841, 842, 843, 844, 845, 846, 847, 848, 849, 850, 851, 852, 853, 854, 855, 856, 857, 858, 859, 860, 861, 862, 863, 864, 865, 866, 867, 868, 869, 870, 871, 872, 873, 874, 875, 876, 877, 878, 879, 880, 881, 882, 883, 884, 885, 886, 887, 888, 889, 890, 891, 892, 893, 894, 895, 896, 897, 898, 899, 900, 901, 902, 903, 904, 905, 906, 907, 908, 909, 910, 911, 912, 913, 914, 915, 916, 917, 918, 919, 920, 921, 922, 923, 924, 925, 926, 927, 928, 929, 930, 931, 932, 933, 934, 935, 936, 937, 938, 939, 940, 941, 942, 943, 944, 945, 946, 947, 948, 949, 950, 951, 952, 953, 954, 955, 956, 957, 958, 959, 960, 961, 962, 963, 964, 965, 966, 967, 968, 969, 970, 971, 972, 973, 974, 975, 976, 977, 978, 979, 980, 981, 982, 983, 984, 985, 986, 987, 988, 989, 990, 991, 992, 993, 994, 995, 996, 997, 998, 999, 1000.

DATE
08/19/15

1562A, 1562AP TEMPLATE

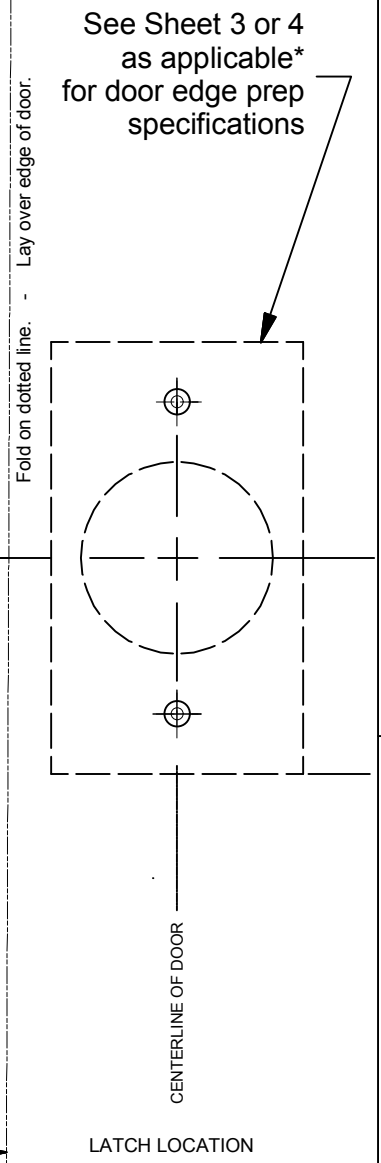
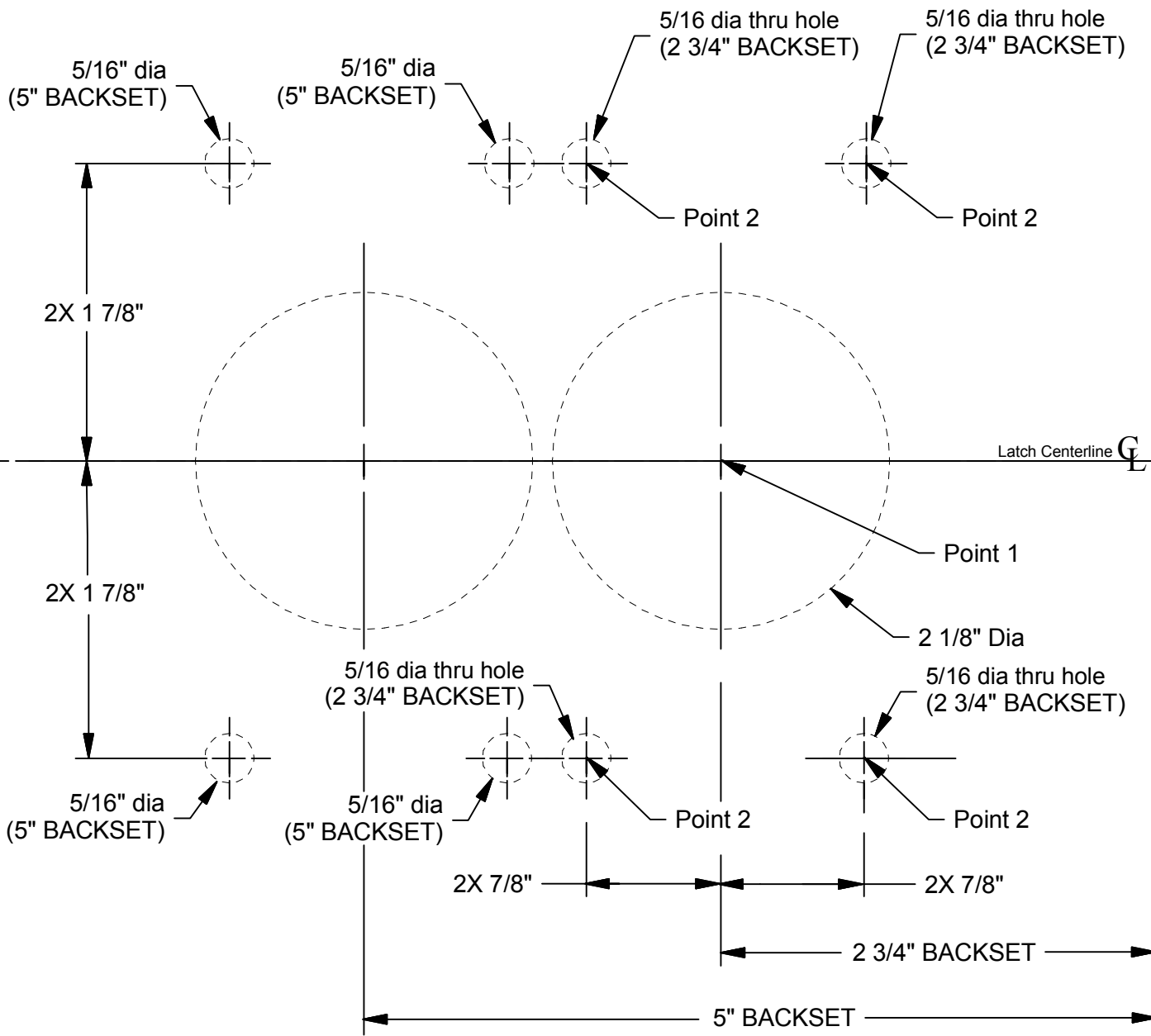
(ALSO USED FOR 1563A, 1563AP, 1580A, 1580AP, 1581A, 1581AP)

IMPORTANT:
READ ALL INSTRUCTIONS CAREFULLY
BEFORE PREPARING DOOR

LH or RHR DOOR
(LEFT HAND or RIGHT HAND REVERSE)

LEVER ASSY & LATCH TEMPLATE

LATCH TEMPLATE



Fold on dotted line. - Lay over edge of door.

NOTE: This template is provided for use only on the job for which it was requested. Trimco reserves the right to make design changes without notice. Trimco will not be responsible for errors or damage caused by the use of out-of-date templates.

TEMPLATE NO.
19734
SHT 2 OF 6



3528 Emery Street
PO BOX 23277
Los Angeles, CA 90023-0277
(323)262-4191 www.trimcobhw.com
email:info@trimcobhw.com

PRODUCT
1562A, 1562AP - PUSH/PULL TEMPLATE
(ALSO USED FOR 1563A, 1563AP, 1580A, 1580AP, 1581A, 1581AP)

DATE
08/19/15

*FOR 3652 ("C") STRIKE, (ASA STRIKE) - SEE SHEET 3
FOR 3651 ("B") STRIKE, (T-STRIKE) - SEE SHEET 4



SINCE 1949

3528 Emery Street
PO BOX 23277
Los Angeles, CA 90023-0277
(323)262-4191 www.trimcobhw.com
email:info@trimcobhw.com

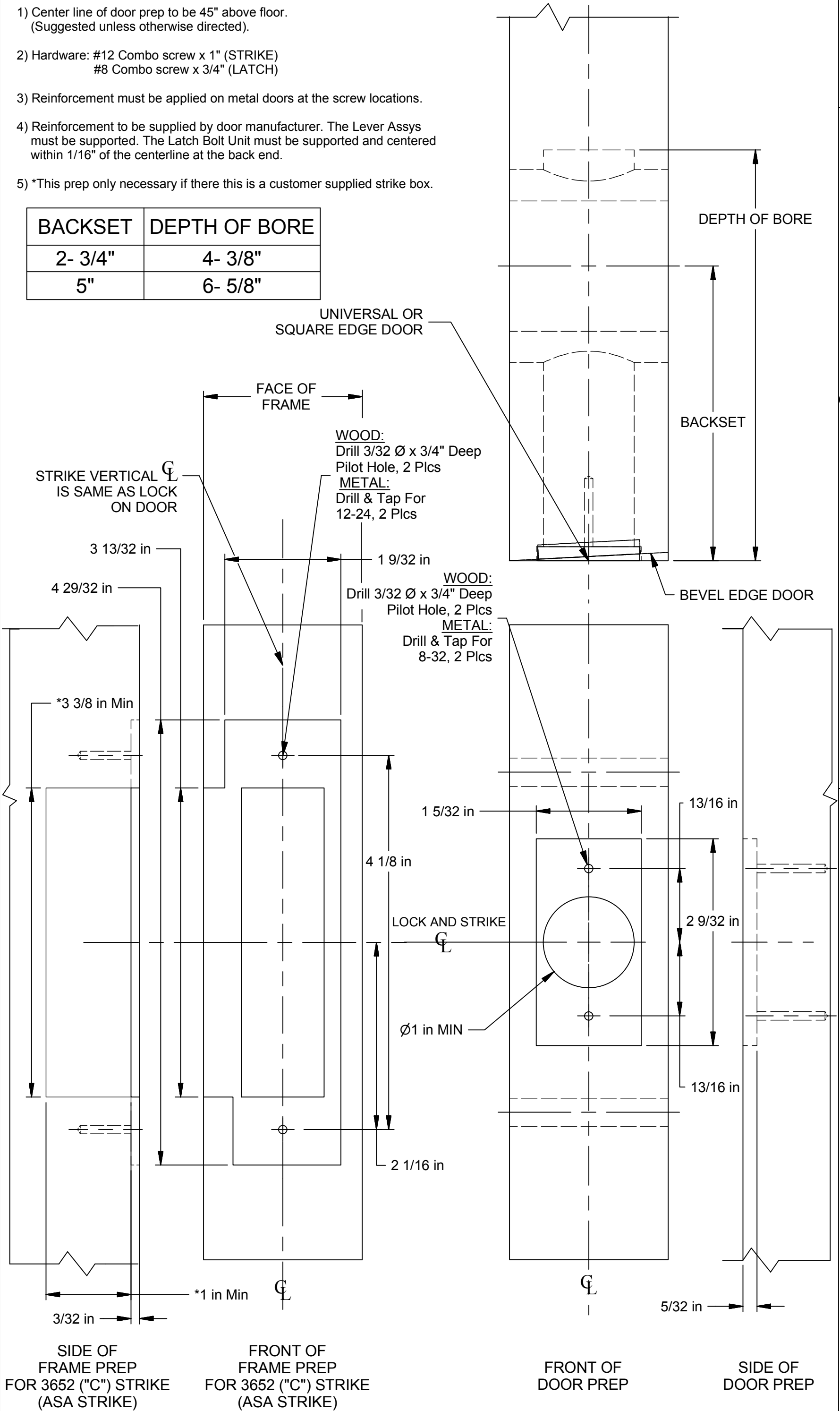
1562A, 1562AP - PUSH/PULL TEMPLATE
(ALSO USED FOR 1563A, 1563AP, 1580A, 1580AP, 1581A, 1581AP)

FOR WOOD AND METAL DOORS, FRAMES, 3652"C" STRIKE (ASA STRIKE)

Notes:

- 1) Center line of door prep to be 45" above floor.
(Suggested unless otherwise directed).
- 2) Hardware: #12 Combo screw x 1" (STRIKE)
#8 Combo screw x 3/4" (LATCH)
- 3) Reinforcement must be applied on metal doors at the screw locations.
- 4) Reinforcement to be supplied by door manufacturer. The Lever Assys must be supported. The Latch Bolt Unit must be supported and centered within 1/16" of the centerline at the back end.
- 5) *This prep only necessary if there this is a customer supplied strike box.

BACKSET	DEPTH OF BORE
2- 3/4"	4- 3/8"
5"	6- 5/8"



NOTE: This template is provided for use only on the job for which it was requested. Trimco reserves the right to make design changes without notice. Trimco will not be responsible for errors or damage caused by the use of out-of-date templates.

DATE
08/19/15

FOR WOOD AND METAL DOORS, FRAMES, 3651 "B" STRIKE (T-STRIKE)



SINCE 1949

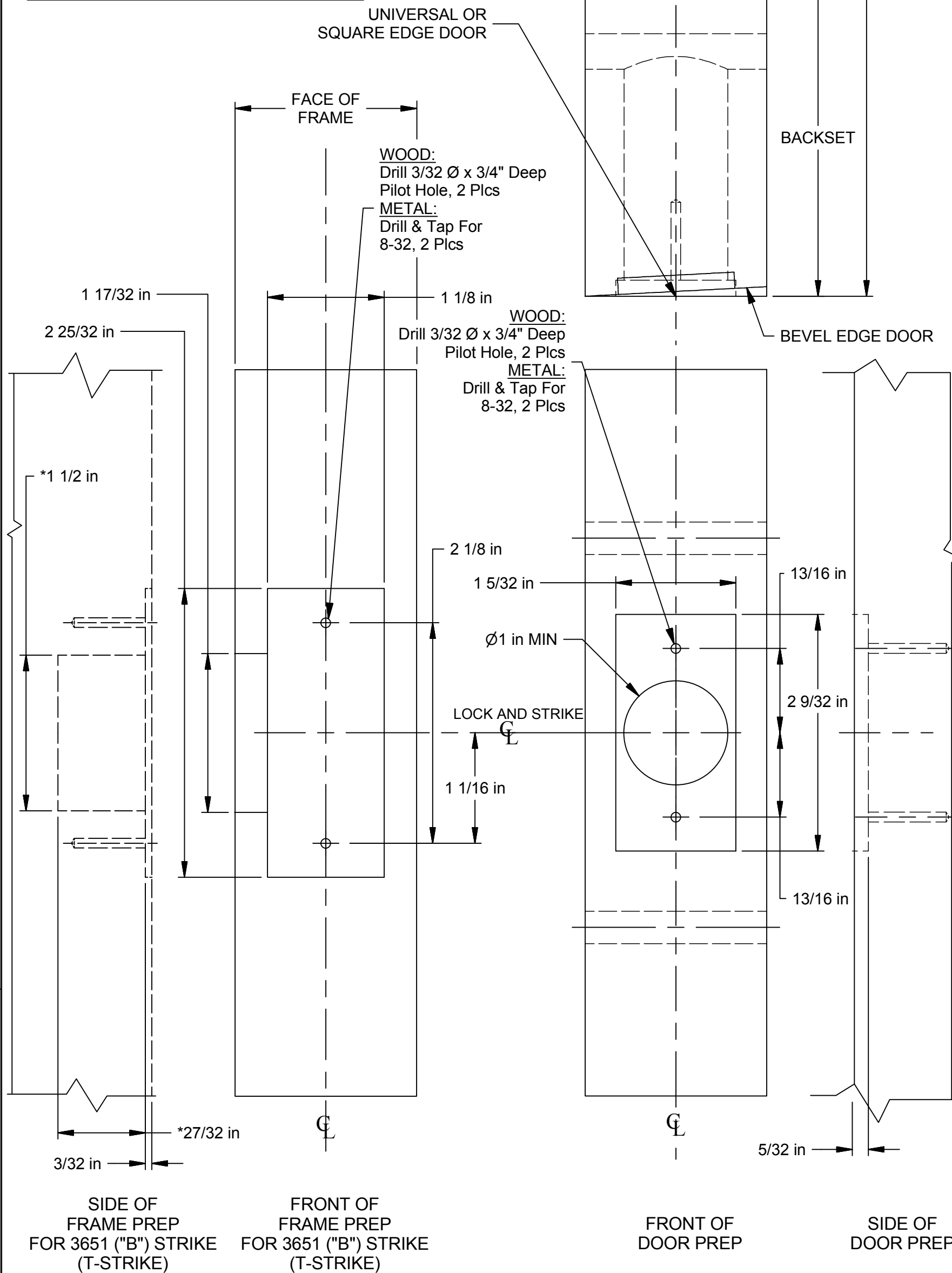
3528 Emery Street
PO BOX 23277
Los Angeles, CA 90023-0277
(323)262-4191 www.trimcobhw.com
email: info@trimcobhw.com

1562A, 1562AP - PUSH/PULL TEMPLATE
(ALSO USED FOR 1563A, 1563AP, 1580A, 1580AP, 1581A, 1581AP)

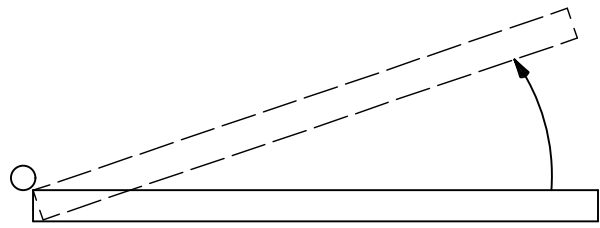
Notes:

- Center line of door prep to be 45" above floor. (Suggested unless otherwise directed).
- Hardware: #8 Combo screw x 3/4" (STRIKE)
#8 Combo screw x 3/4" (LATCH)
- Reinforcement must be applied on metal doors at the screw locations.
- Reinforcement to be supplied by door manufacturer. The Lever Assys must be supported. The Latch Bolt Unit must be supported and centered within 1/16" of the centerline at the back end.
- *This prep only necessary if there this is a customer supplied strike box.

BACKSET	DEPTH OF BORE
2- 3/4"	4- 3/8"
5"	6- 5/8"

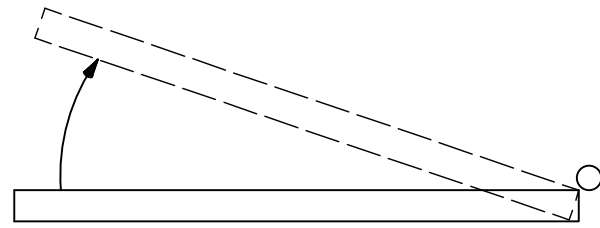


LEFT HAND, RIGHT HAND DOOR DEFINITIONS:

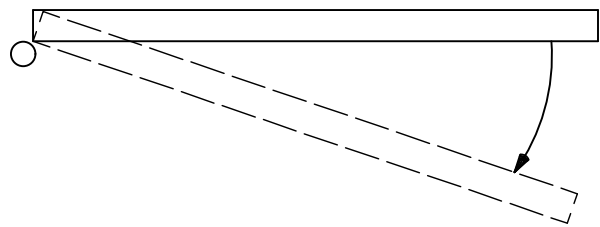


(Inside)

LH Inswing

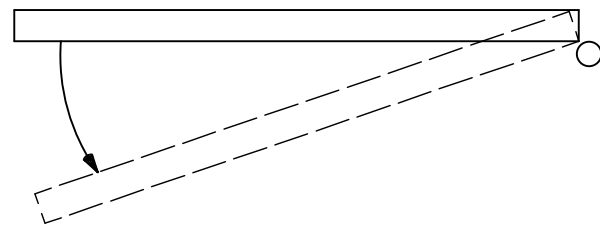


RH Inswing



(Outside)

LHR (Left Hand Reverse)



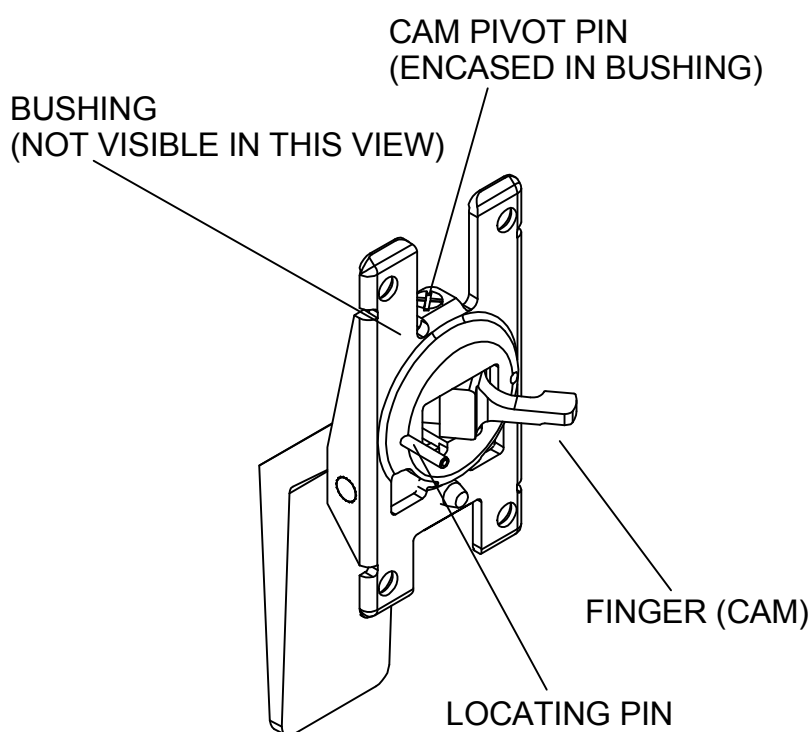
RHR (Right Hand Reverse)

TO CHANGE THE HANDING OF A LEVER ASSEMBLY:

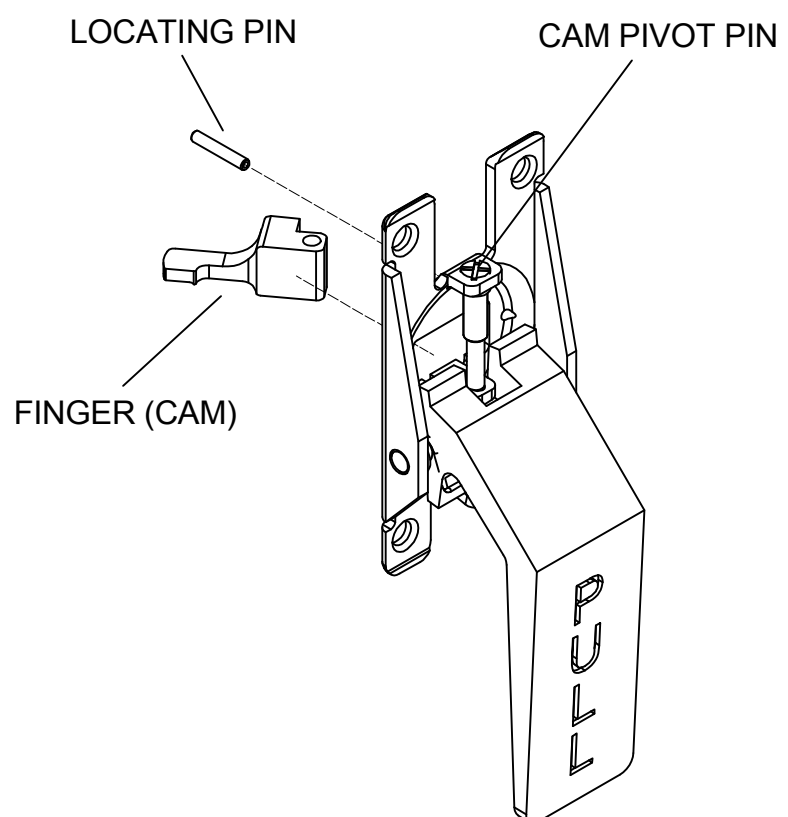
- 1) Loosen the Cam Pivot Pin just enough to enable the removal of the Finger (Cam) - be sure the Cam Pivot Pin remains partially encased in the Bushing.
- 2) Remove the Finger (Cam), rotate it 180 degrees, then reinstall the Finger.
- 3) Re-tighten the Cam Pivot Pin.
- 4) Remove the Locating Pin and relocate it on the opposite side of the Chassis - drive in 1/8" deep.

Note:

Push/Pull Latchsets are assembled for right or for left hand doors.
Be sure that handing is correct for a given door type.



FULLY ASSEMBLED



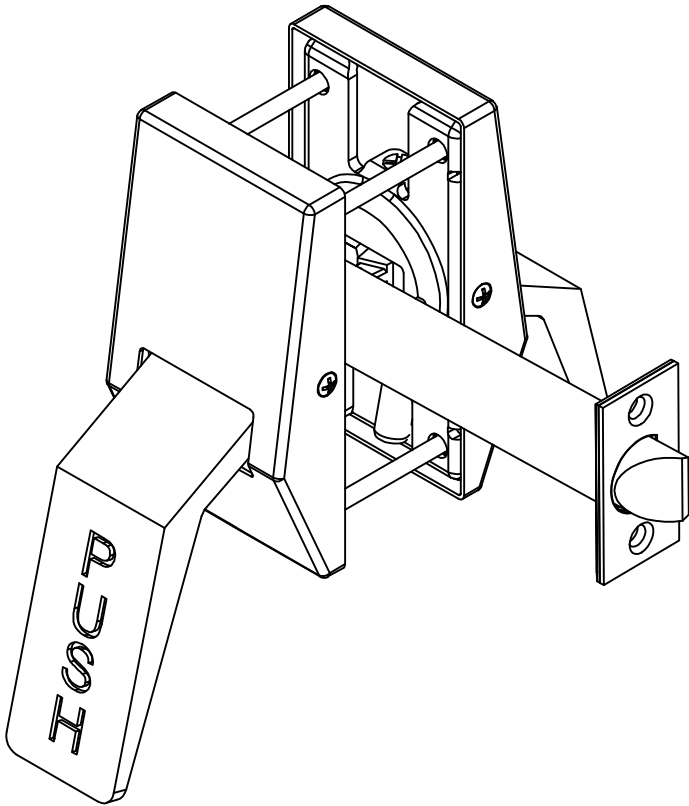
PARTIALLY DISASSEMBLED
(PER INSTRUCTIONS ABOVE)

1562A PULL ASSEMBLY

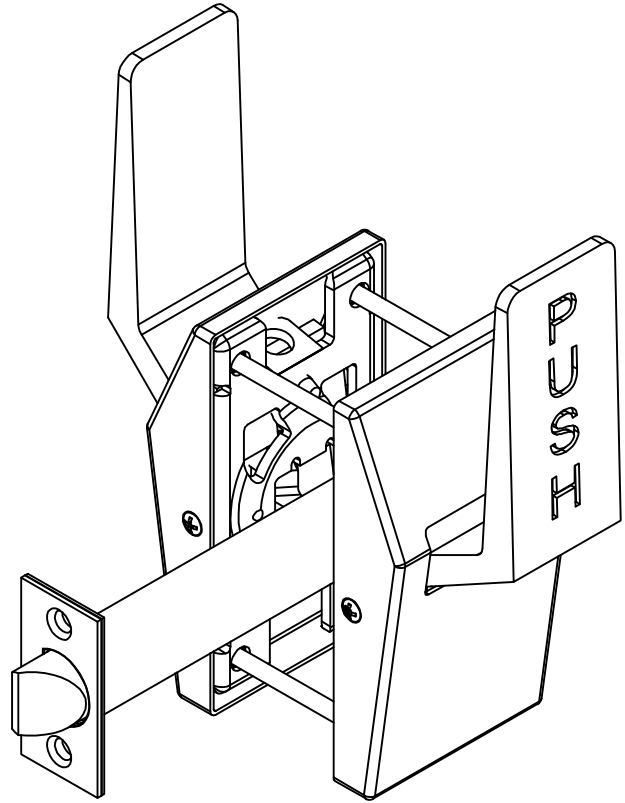


THE ENGRAVED TEXT SHOWN ON ALL LEVERS IS OPTIONAL
(AT ADDITIONAL COST)

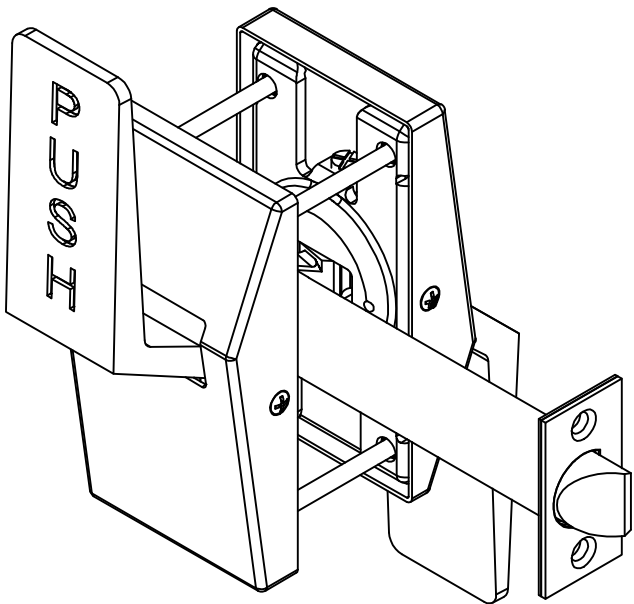
LATCHBOLT ORIENTATION IS EASILY CHANGEABLE
REFERENCE "TO CHANGE THE HANDING....", SEE SHEET 5



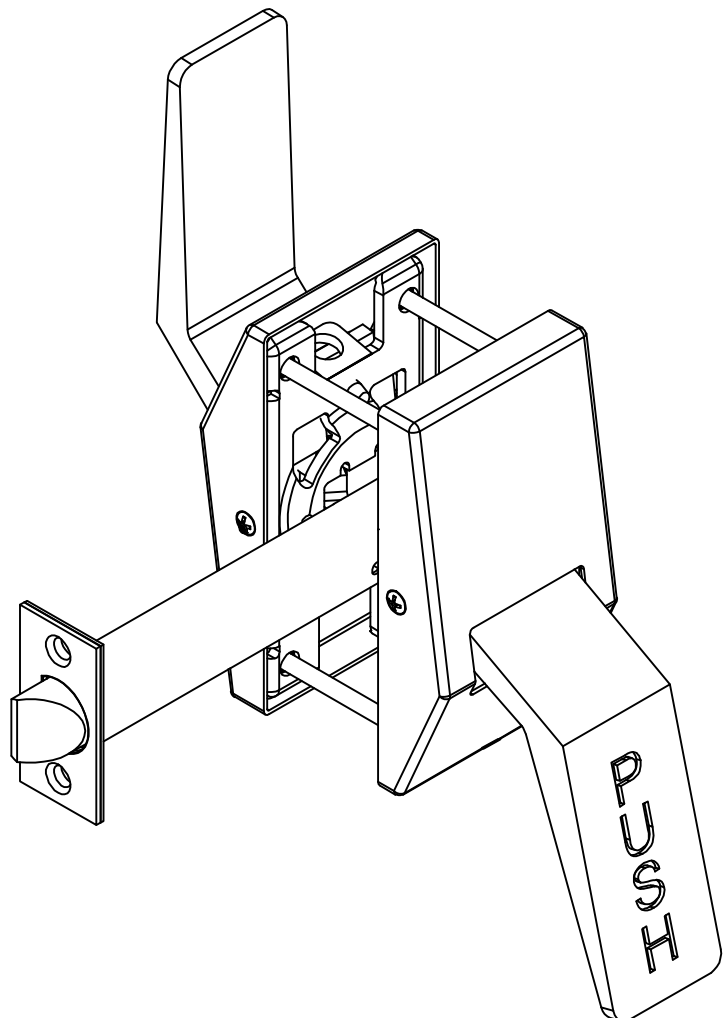
1562A LAYOUT
BOTH LEVERS DOWN



1563A LAYOUT
BOTH LEVERS UP



1580A LAYOUT
PUSH LEVER UP,
PULL LEVER DOWN



1581A LAYOUT
PUSH LEVER DOWN
PULL LEVER UP