

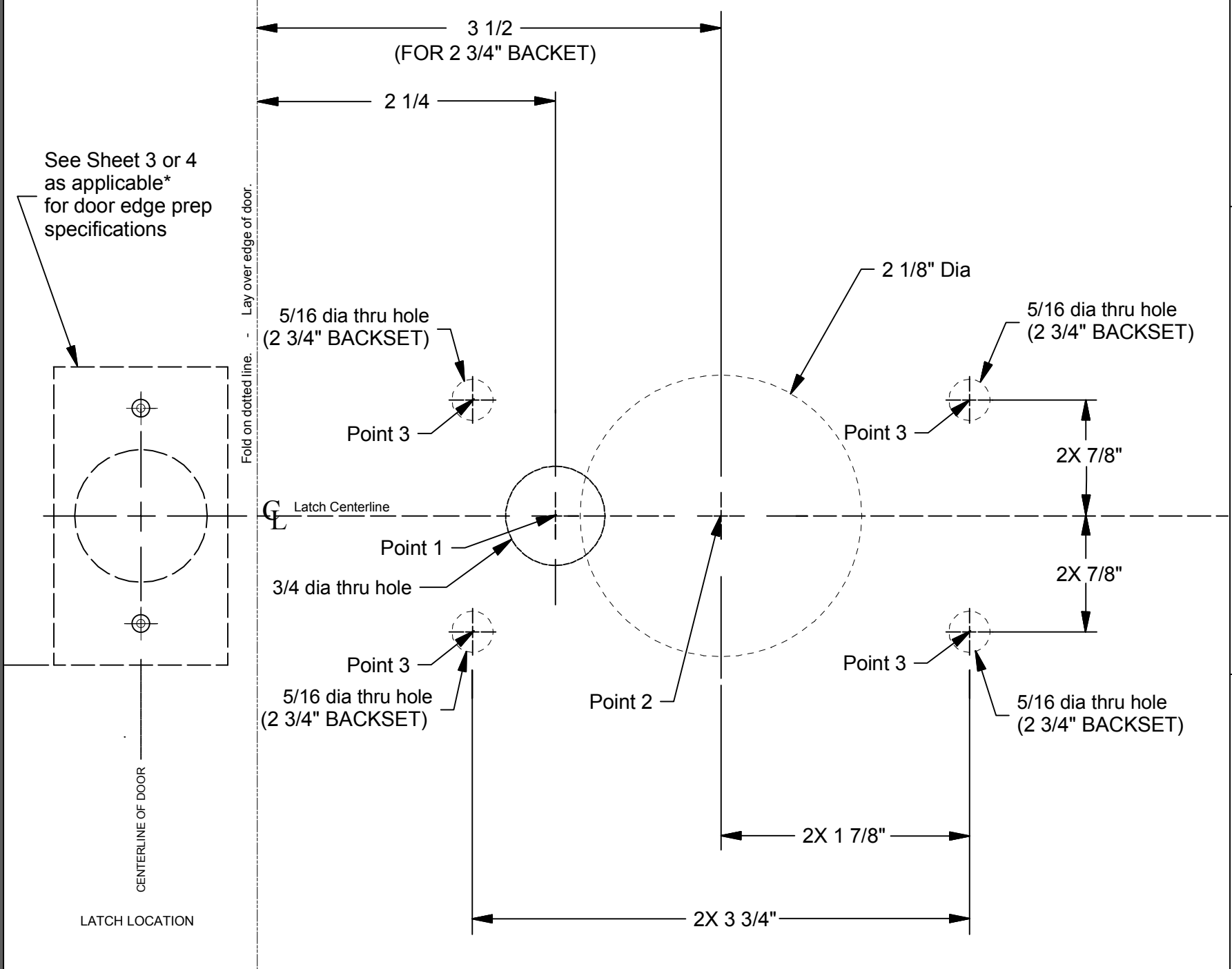
1562HL TEMPLATE

IMPORTANT:
READ ALL INSTRUCTIONS CAREFULLY
BEFORE PREPARING DOOR

RH or LHR DOOR
(RIGHT HAND or LEFT HAND REVERSE)

LATCH TEMPLATE

LEVER ASSY & LATCH TEMPLATE



*FOR 3652 ("C") STRIKE, (ASA STRIKE) - SEE SHEET 3
FOR 3651 ("B") STRIKE, (T-STRIKE) - SEE SHEET 4

NOTE: This template is provided for use only on the job for which it was requested.
Trimco reserves the right to make design changes without notice. Trimco will not be responsible for errors or damage caused by the use of out-of-date templates.

REVISION RECORD:
REV. DIMS 2X 1 7/8" 2X 3/4" 2X 7/8" (2H.C.S.)
SHEETS 1 AND 2 ADDED LEADERS TO ALL POINTS, ADDED SHEETS 3 THRU 6, SCHEDULE 08/19/15

DATE: 09/08/15



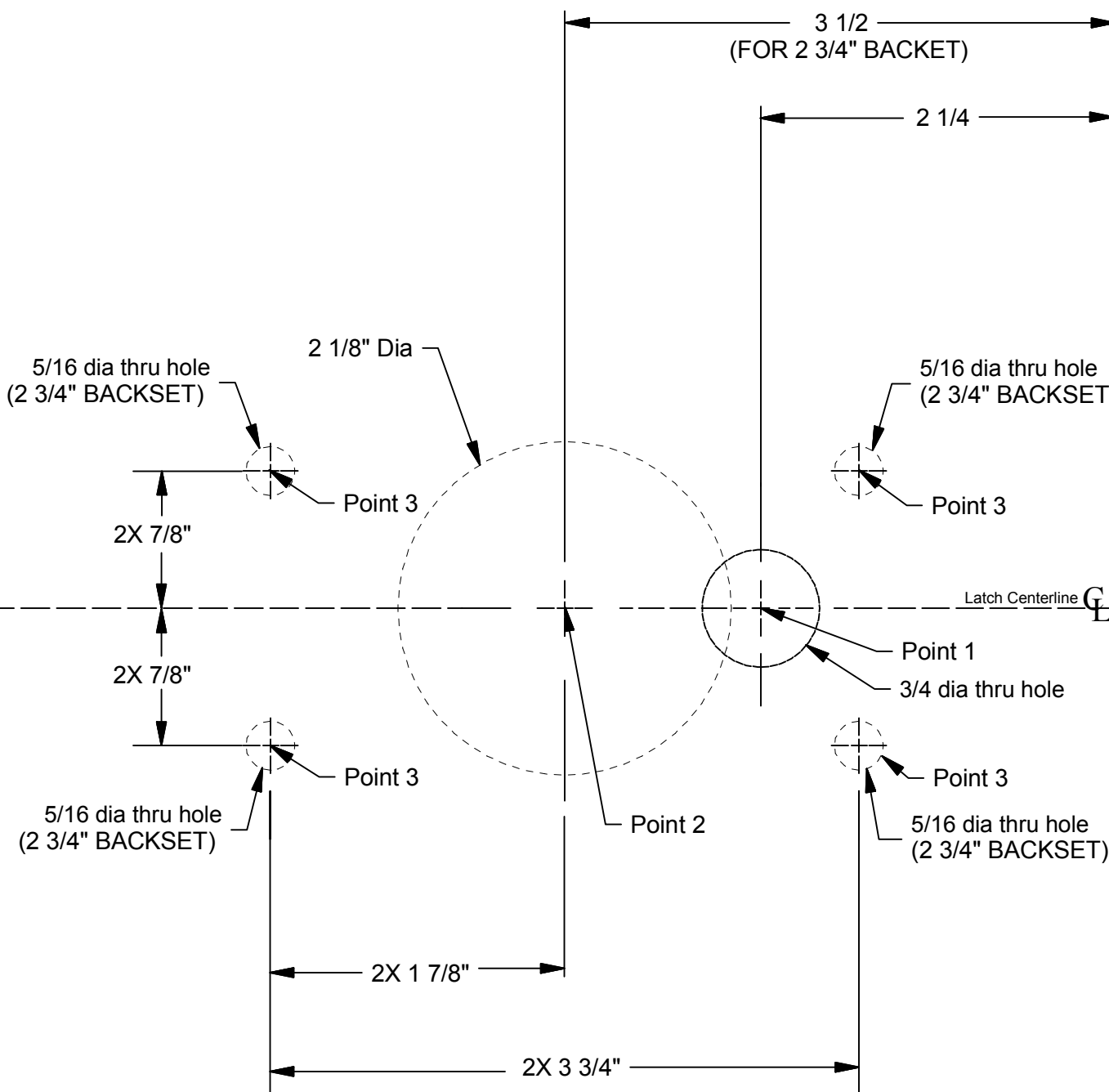
1562HL TEMPLATE

IMPORTANT:
READ ALL INSTRUCTIONS CAREFULLY
BEFORE PREPARING DOOR

LH or RHR DOOR
(LEFT HAND or RIGHT HAND REVERSE)

LEVER ASSY & LATCH TEMPLATE

LATCH TEMPLATE



See Sheet 3 or 4
as applicable*
for door edge prep
specifications

Fold on dotted line. - Lay over edge of door.

Fold on dotted line. - Lay over edge of door.

*FOR 3652 ("C") STRIKE, (ASA STRIKE) - SEE SHEET 3
FOR 3651 ("B") STRIKE, (T-STRIKE) - SEE SHEET 4

NOTE: This template is provided for use only on the job for which it was requested.
Trimco reserves the right to make design changes without notice. Trimco will
not be responsible for errors or damage caused by the use of out-of-date templates.

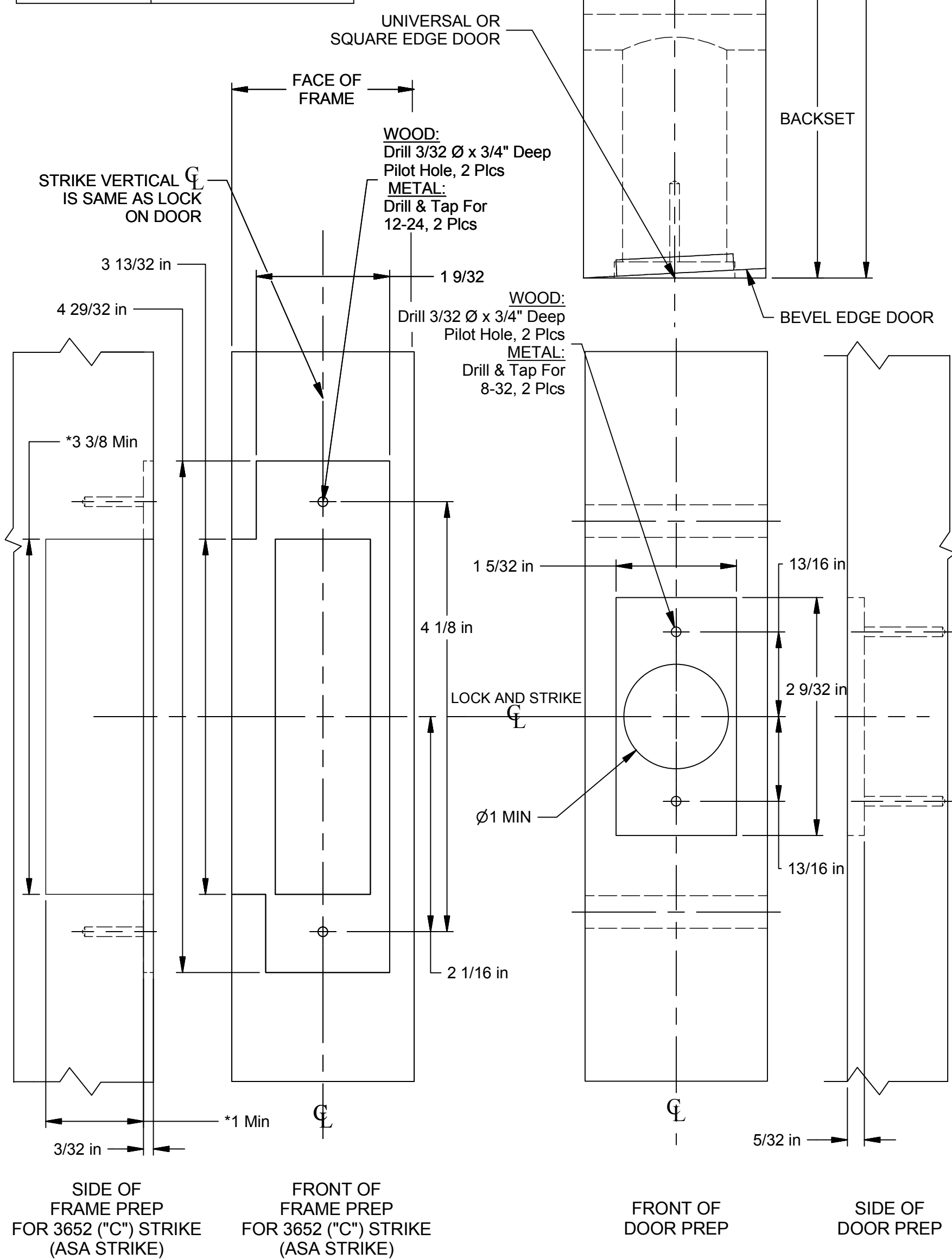
DATE
09/08/15

FOR WOOD AND METAL DOORS, FRAMES, 3652"C" STRIKE (ASA STRIKE)

Notes:

- 1) Center line of door prep to be 45" above floor.
(Suggested unless otherwise directed).
- 2) Hardware: #12 Combo screw x 1"
#8 Combo screw x 3/4"
- 3) Reinforcement must be applied on metal doors at the screw locations.
- 4) Reinforcement to be supplied by door manufacturer. The Lever Assys must be supported. The Latch Bolt Unit must be supported and centered within 1/16" of the centerline at the back end.
- 5) *This prep only necessary if there this is a customer supplied strike box.

BACKSET	DEPTH OF BORE
2- 3/4"	4- 3/8"
5"	6- 5/8"



NOTE: This template is provided for use only on the job for which it was requested. Trimco reserves the right to make design changes without notice. Trimco will not be responsible for errors or damage caused by the use of out-of-date templates.

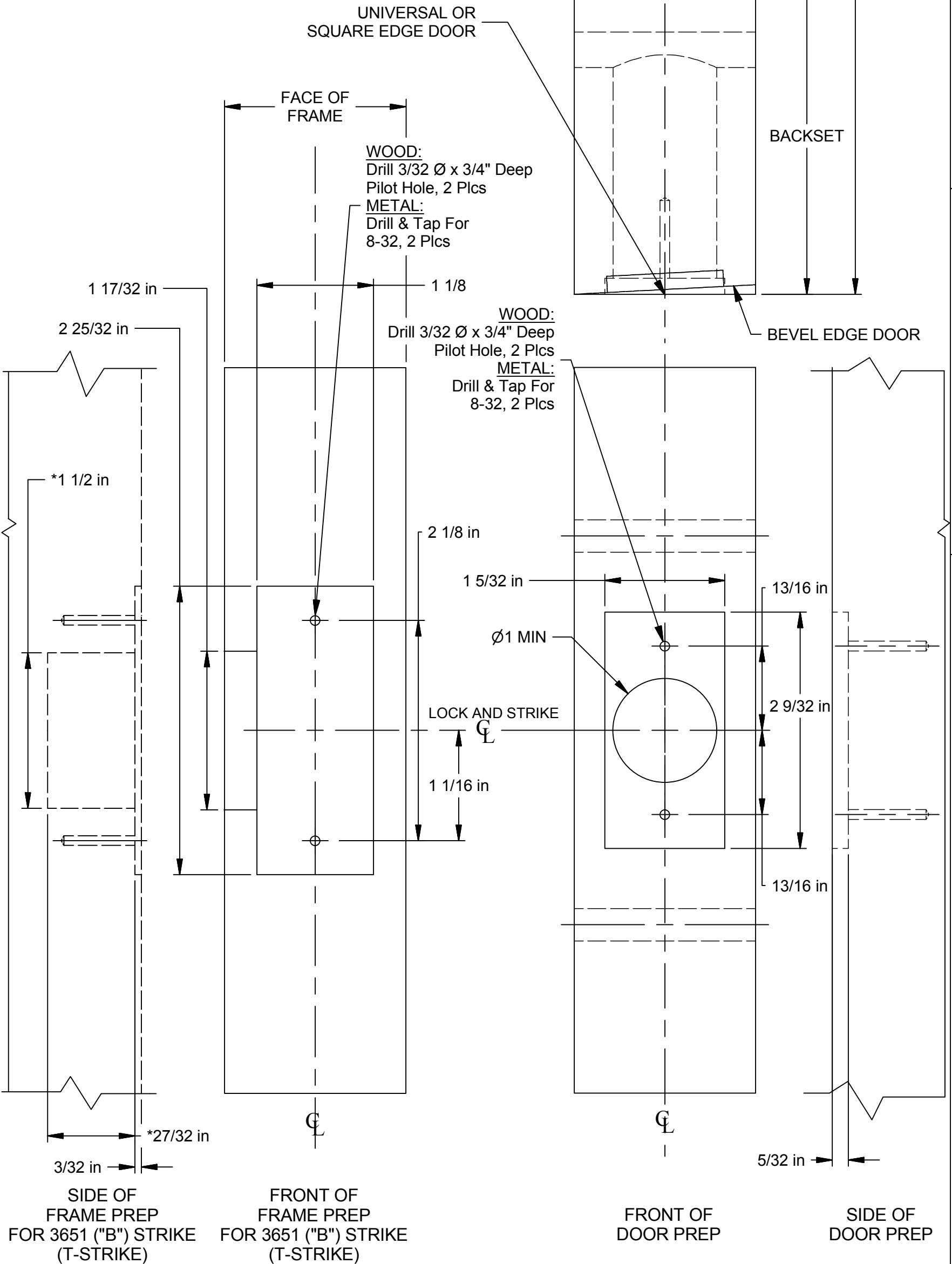
DATE
09/08/15

FOR WOOD AND METAL DOORS, FRAMES, 3651 "B" STRIKE (T-STRIKE)

Notes:

- 1) Center line of door prep to be 45" above floor.
(Suggested unless otherwise directed).
- 2) Hardware: #8 Combo screw x 1"
#8 Combo screw x 3/4"
- 3) Reinforcement must be applied on metal doors at the screw locations.
- 4) Reinforcement to be supplied by door manufacturer. The Lever Assys must be supported. The Latch Bolt Unit must be supported and centered within 1/16" of the centerline at the back end.
- 5) *This prep only necessary if there this is a customer supplied strike box.

BACKSET	DEPTH OF BORE
2- 3/4"	4- 3/8"
5"	6- 5/8"



NOTE: This template is provided for use only on the job for which it was requested. Trimco reserves the right to make design changes without notice. Trimco will not be responsible for errors or damage caused by the use of out-of-date templates.

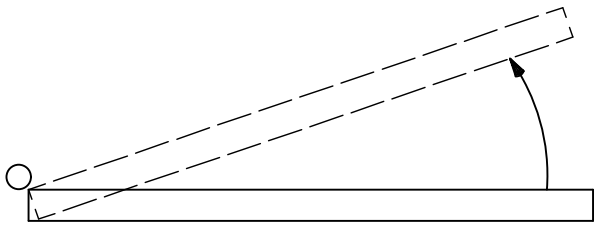
TEMPLATE NO.
19607
SHT 4 OF 6

Trimco
3528 Emery Street
PO BOX 23277
Los Angeles, CA 90023-0277
(323)262-4191 www.trimcobw.com
email:info@trimcobw.com

PRODUCT
1562HL-PUSH/PULL TEMPLATE

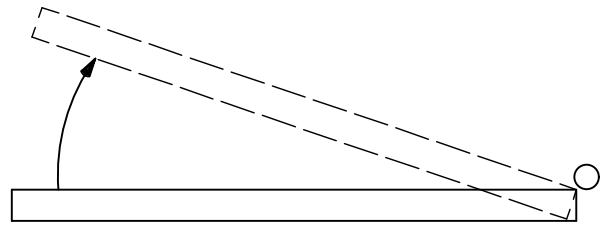


LEFT HAND, RIGHT HAND DOOR DEFINITIONS:

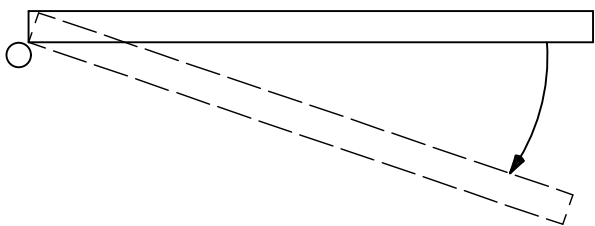


LH Inswing

(Inside)

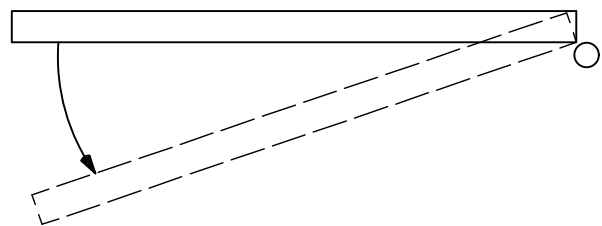


RH Inswing



LHR (Left Hand Reverse)

(Outside)



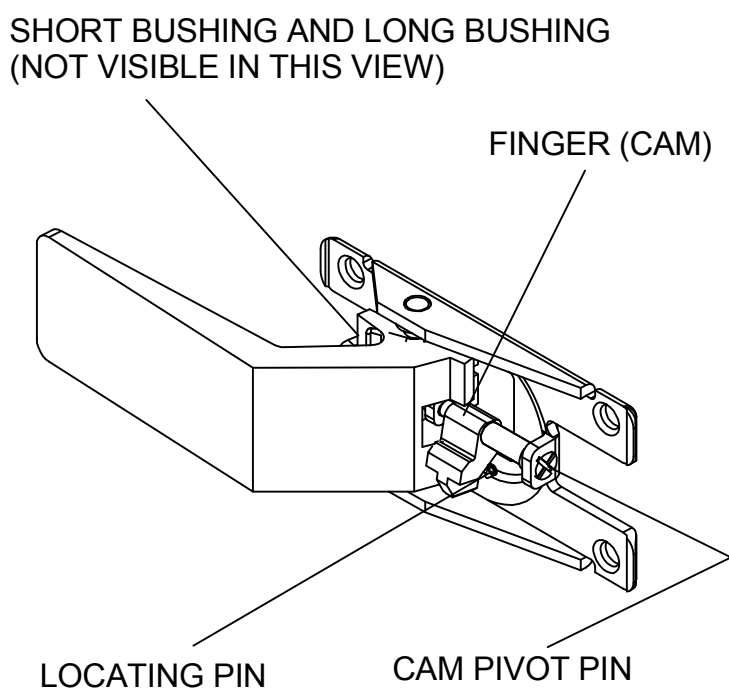
RHR (Right Hand Reverse)

TO CHANGE THE HANDING OF A LEVER ASSEMBLY:

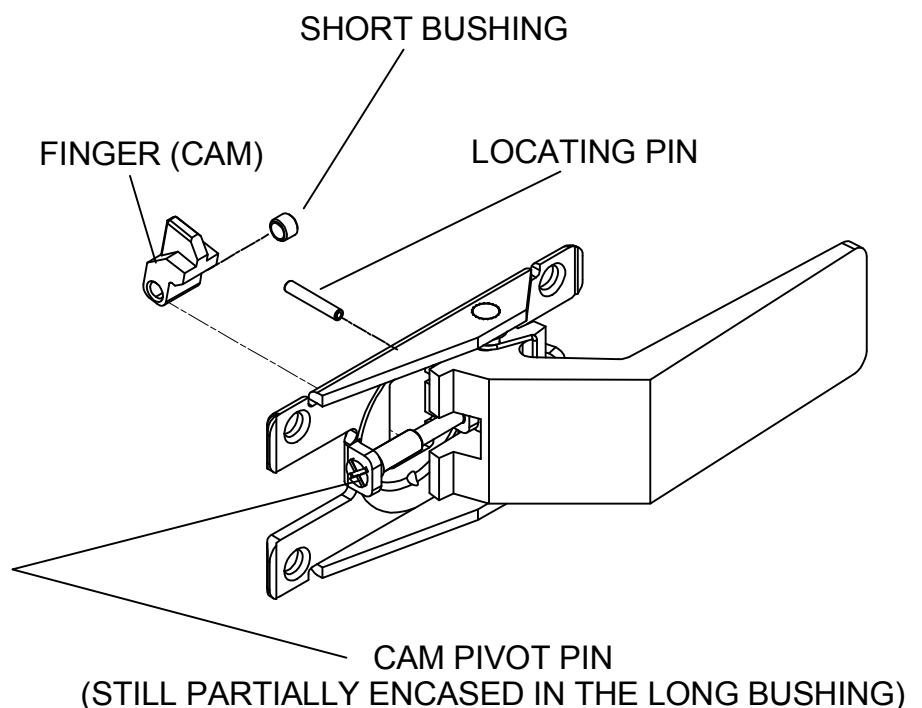
- 1) Loosen the Cam Pivot Pin just enough to enable the removal of the Short Bushing and the Finger (Cam) - be sure the Cam Pivot Pin remains partially encased in the Long Bushing.
- 2) Remove the Short Bushing and the Finger. Rotate the Finger 180°, then reinstall the Finger and Short Bushing.
- 3) Re-tighten the Cam Pivot Pin.
- 4) Remove the Locating Pin and relocate it on the opposite side of the Chassis - drive in 1/8" deep.

Note:

Push/Pull Latchsets are assembled for right or for left hand doors.
Be sure that handing is correct for a given door type.



FULLY ASSEMBLED



PARTIALLY DISASSEMBLED
(PER INSTRUCTIONS ABOVE)

1562HL PULL ASSEMBLY

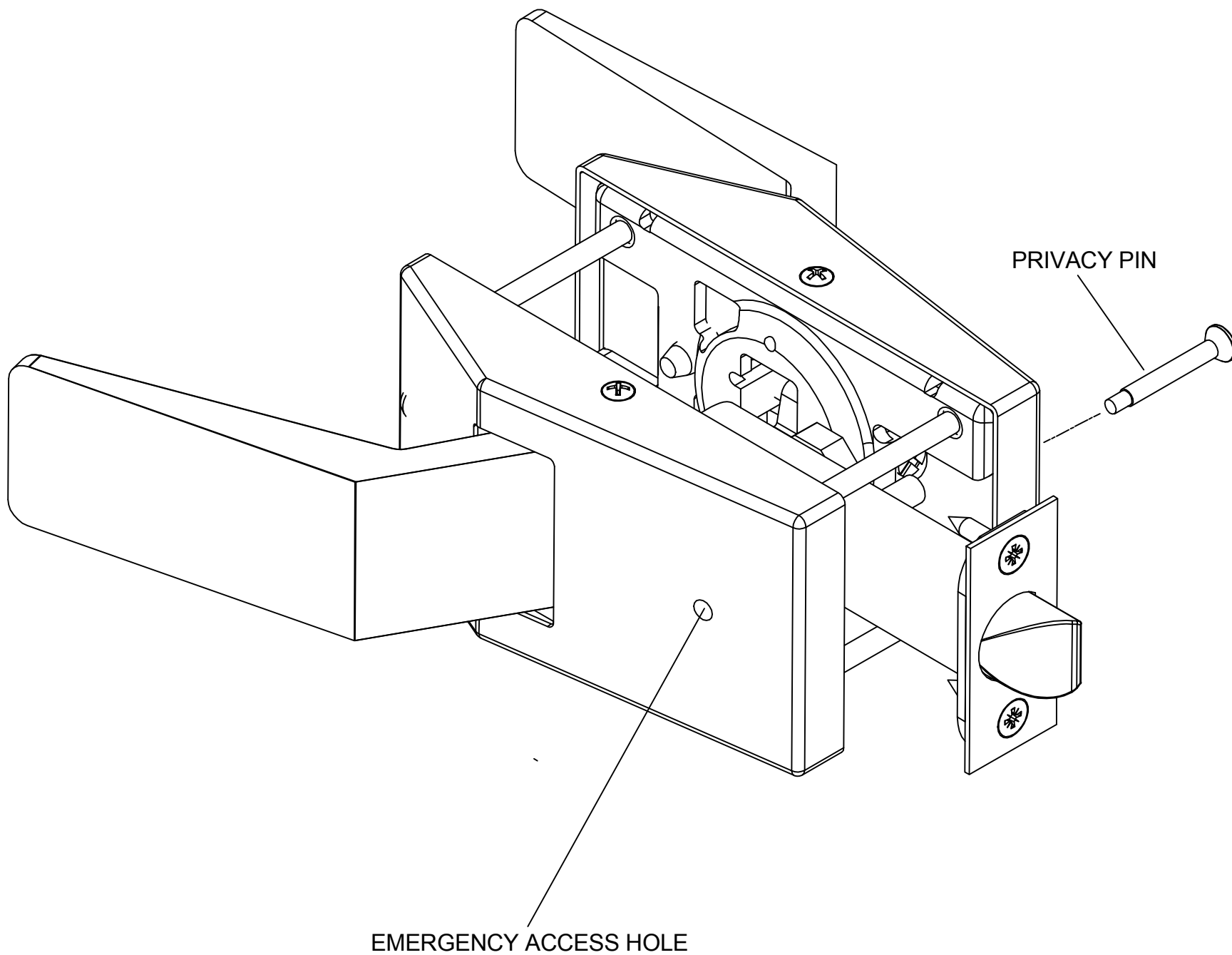


Trimco

3528 Emery Street
PO BOX 23277
Los Angeles, CA 90023-0277
(323)262-4191 www.trimcobw.com
email:info@trimcobw.com

ENGRAVED TEXT ON ALL LEVERS IS OPTIONAL
(AT ADDITIONAL COST)

LATCHBOLT ORIENTATION IS EASILY CHANGEABLE
REFERENCE "TO CHANGE THE HANDING....", SEE SHEET 5



1562HL LAYOUT

NOTE: This template is provided for use only on the job for which it was requested.
Trimco reserves the right to make design changes without notice. Trimco will
not be responsible for errors or damage caused by the use of out-of-date templates.

DATE

09/08/15