



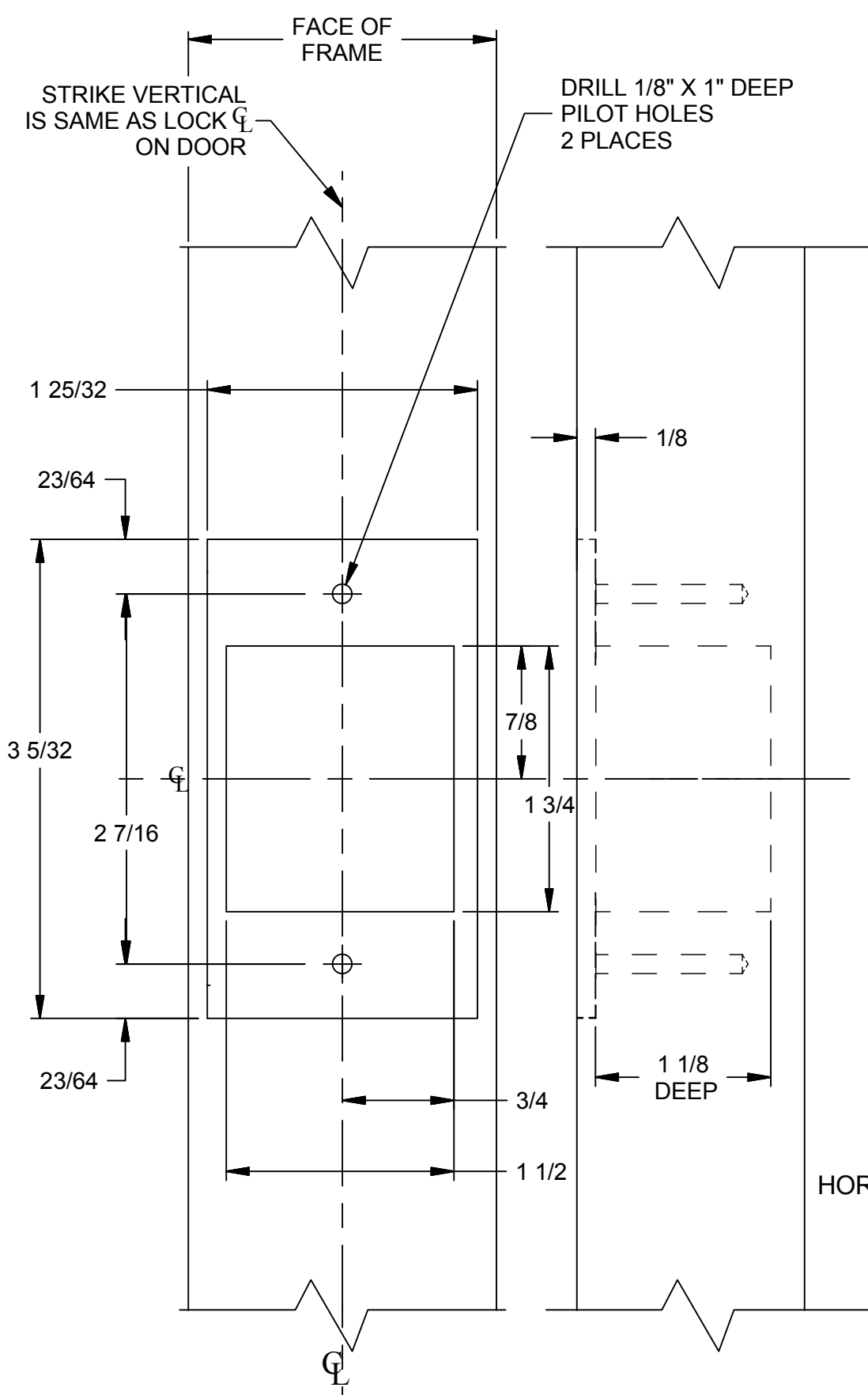
Trimco

3528 Emery Street
PO BOX 23277
Los Angeles, CA 90023-0277
(323)262-4191 www.trimcobw.com
email: info@trimcobw.com

1074-2 POCKET/BARN DOOR
INSTALLATION SHEETS
MORTISE LOCK PREP

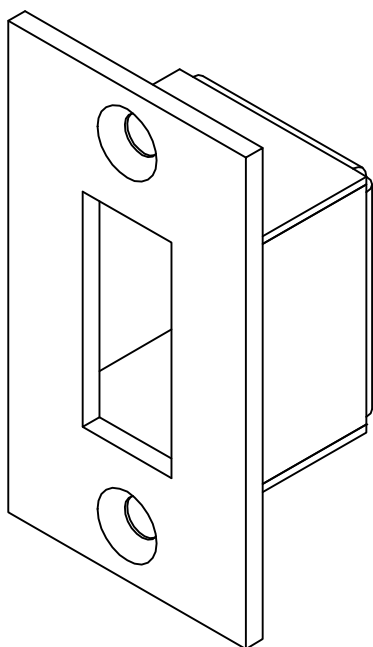
WOOD FRAME PREP

WOOD DOOR PREP

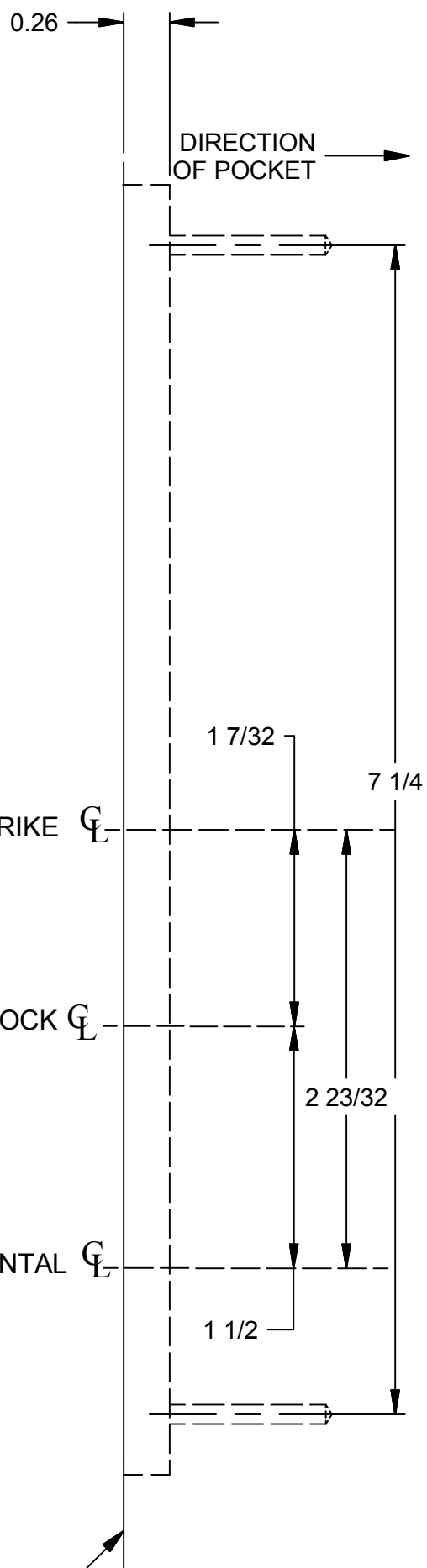


FRAME:
FACING FRONT

FRAME:
FACING SIDE



1072-2 STRIKE/DUST COVER ASSEMBLY



EXTERIOR FACE
OF RIGHT HAND DOOR
FOR REFERENCE

DOOR:
FACING SIDE

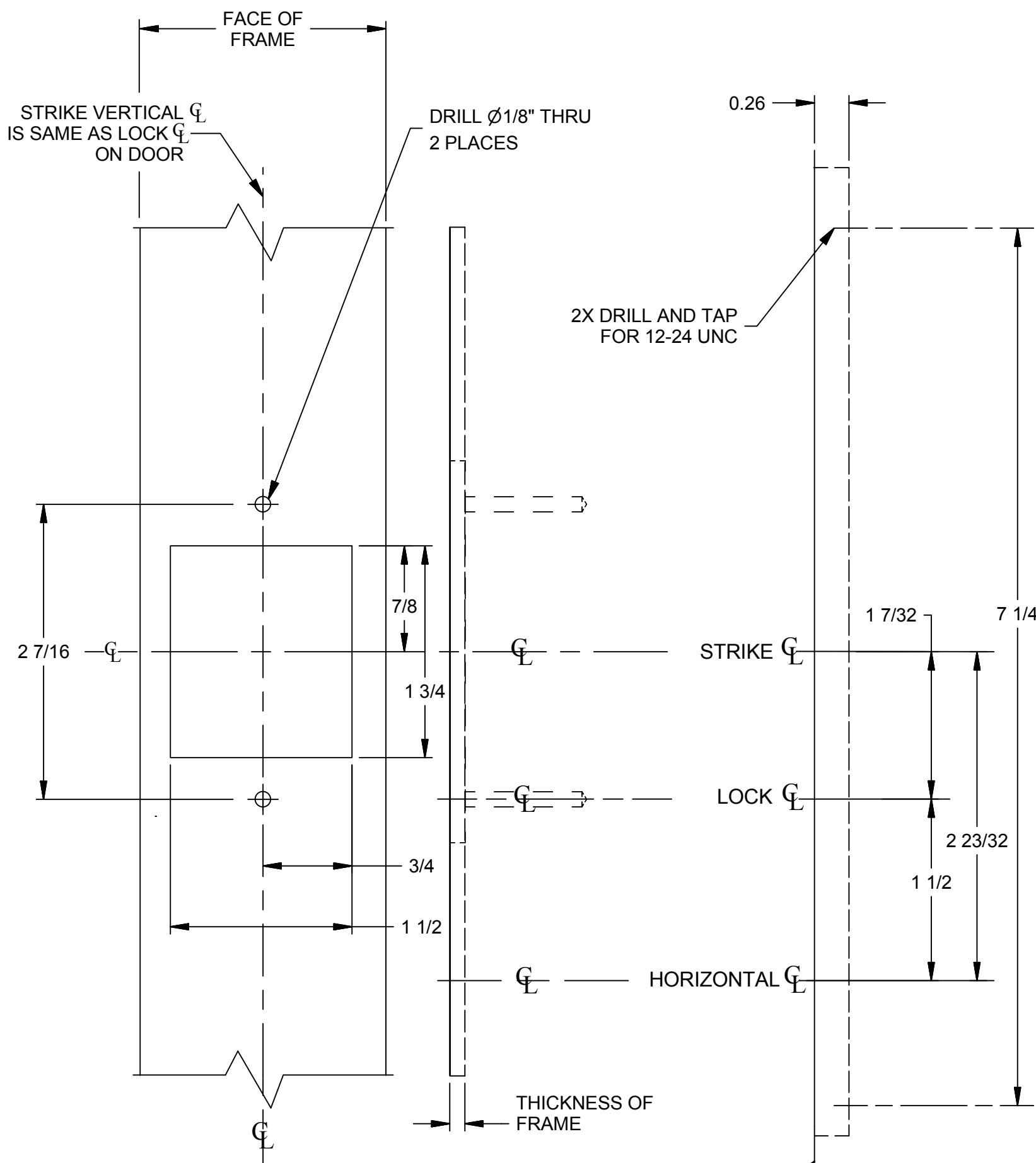
NOTE: This template is provided for use only on the job for which it was requested. Trimco reserves the right to make design changes without notice. Trimco will not be responsible for errors or damage caused by the use of out-of-date templates.

DATE
11/02/15

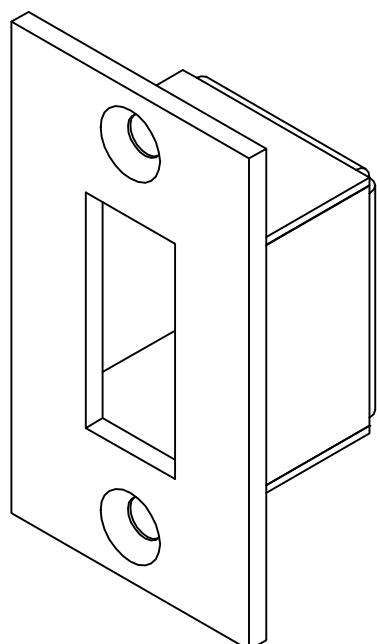


METAL FRAME PREP

DOOR PREP



THIS FRAME PREP IS FOR SURFACE-MOUNTED STRIKES



1072-2 STRIKE/DUST COVER ASSEMBLY

NOTE 1:

IF THE STRIKE IS SURFACE MOUNTED, THERE WILL BE A GAP BETWEEN THE FRAME AND THE DOOR.

NOTE 2:

IF THE STRIKE IS TO BE FLUSH MOUNTED, REFER TO SHEET 3 FOR FRAME PREP SPECIFICATIONS.

NOTE: This template is provided for use only on the job for which it was requested. Trimco reserves the right to make design changes without notice. Trimco will not be responsible for errors or damage caused by the use of out-of-date templates.

DATE
11/02/15



INSTALLATIONS STEPS 1074-2 POCKET DOOR PRIVACY SET WITH LEVERS IN THE DOWN POSITION

1. After the door and frame have been prepped, take the mortise lock, remove the front cover plate, and temporarily set the plate and the two mounting screws aside.
2. Insert the mortise lock into the prep on the door's edge. Using a screwdriver, screw in both of the #12 x 1" flat head combination screws into each pinhole located at the top and bottom.
3. Install the strike/dust cover assy into the frame using the two #12 x 1" flat head combination screws supplied for this purpose.
4. Install two 3/8" adaptor screws on each side into the mortise lock shown on template #19539 and install (2) 1/4" adaptor screws on the interior side, again, as shown on template #19539.
5. Take one lever assembly and insert into the exterior door prep, you will have to make sure that the lever spindle is inserted into the spindle hub; while you are doing this, push the lever assembly against the door's surface. The lever should be in the down position. Install the two mounting screws.
6. Take the other lever assembly into the door prep on the interior side, you will have to make sure that the lever spindle is inserted into the spindle hub while you are doing this, push the lever assembly against the door's surface. The lever should be at the down position. Install the two mounting screws.
7. Install the thumb-turn assembly on the interior side, with the thumb-turn in the up position (12 o'clock) and the deadbolt retracted: insert the thumb-turn spindle into the hub, then install the mounting screws shown on template #19539.
8. Test the lever set by throwing the thumb-turn towards the strike. This should extend the latch forward and therein lock the door on the outside. Grab the exterior lever to make sure that it is rigid (locked).
9. Now test the interior lever. First, close the door all the way to the strike, then; turn the thumb-turn towards the strike. This will extend the latch bolt into the strike and lock the door to the outside. Next pull on the interior lever to open the door; you should be able to see the thumb-turn move back while you are operating the lever and consequently opening the door.
10. Hold the cylinder and check to see if the "wave washer" spring is behind the cylinder face. Taking the cylinder collar, insert the cylinder into the collar, making sure that the "wave washer" spring is between the collar and behind the cylinder head. Make sure that the plug cylinder is on the other side.
11. Thread the cylinder and the cylinder collar into the exterior side of the mortise lock- keep threading until the cylinder collar is no longer moving. Make sure that the keyway is at the 6 o'clock position.
12. Take a screwdriver and insert it into the hole that is just above the latch bolt. There is a set screw in this hole that needs to be tightened- do not over tighten, make sure to line-up the notches on the cylinder and on the cylinder plug.
13. Now test the cylinder- insert the key and verify that turning the key moves the latch bolt back and forth smoothly. Turning the key should also rotate the thumb-turn.
14. To conclude the installation, open the door (if it is not already open), and retract the latch bolt either by rotating the key or the thumb-turn. Locate the mortise lock face-plate and the two mounting screws that were set aside at the start of this installation and re-install the face plate using these two screws.
15. Conduct a final check to verify satisfactory performance using the key, the levers, and the thumb-turn.
16. On both sides of the door: navigate the roses (cover plates) about the levers- you will need to draw them upwards, then rotate them 90 degrees at the bend in lever-then snap them into place (no fasteners required).
17. Peel away the back of the "SLIDE" decal and adhere to the door as is shown in Template 19539 Installation Instructions.
18. The installation is complete.

NOTE: This template is provided for use only on the job for which it was requested.

Trimco reserves the right to make design changes without notice. Trimco will not be responsible for errors or damage caused by the use of out-of-date templates.

DATE

11/02/15