

# 1082-8 LH ANTI-VANDAL DEVICE TEMPLATE

TEMPLATE NO.

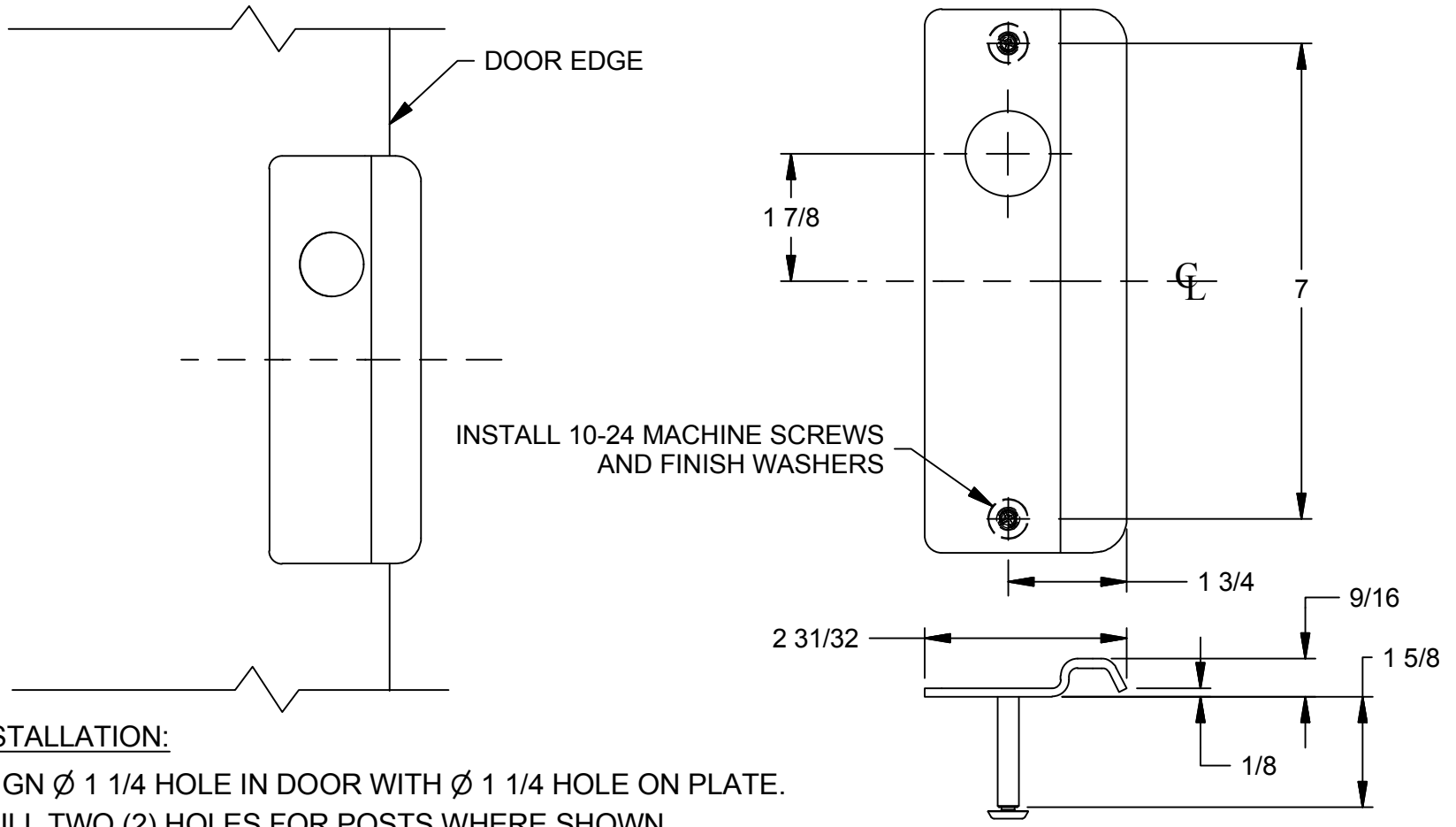
19062  
SHT 1 OF 2



3528 Emery Street  
PO BOX 23277  
Los Angeles, CA 90023-0277  
(323)262-4191 www.trimcobw.com  
email:info@trimcobw.com

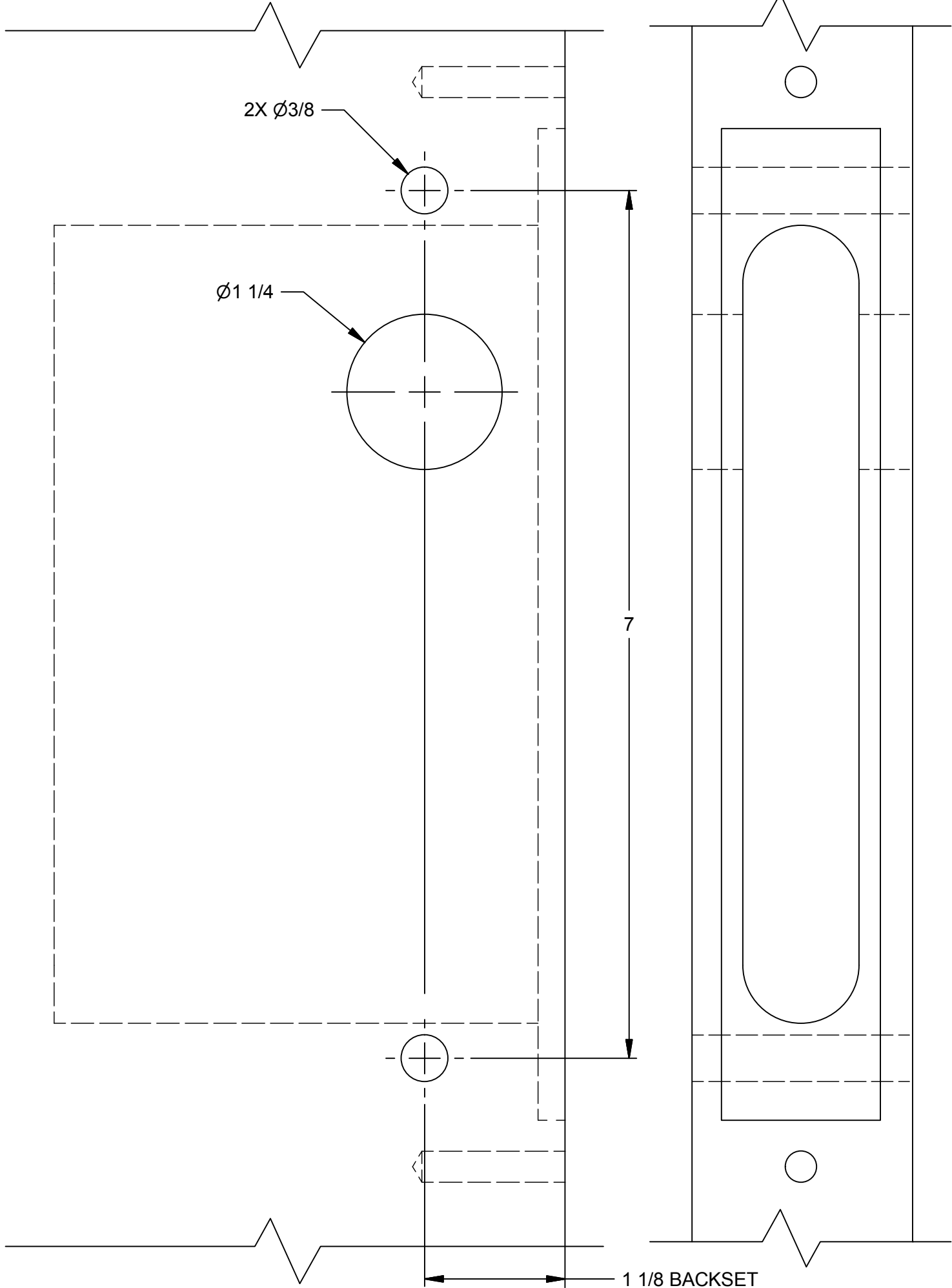
PRODUCT

1082-8 ANTIVANDAL DEVICE



**INSTALLATION:**

ALIGN  $\varnothing 1\ 1/4$  HOLE IN DOOR WITH  $\varnothing 1\ 1/4$  HOLE ON PLATE.  
DRILL TWO (2) HOLES FOR POSTS WHERE SHOWN.



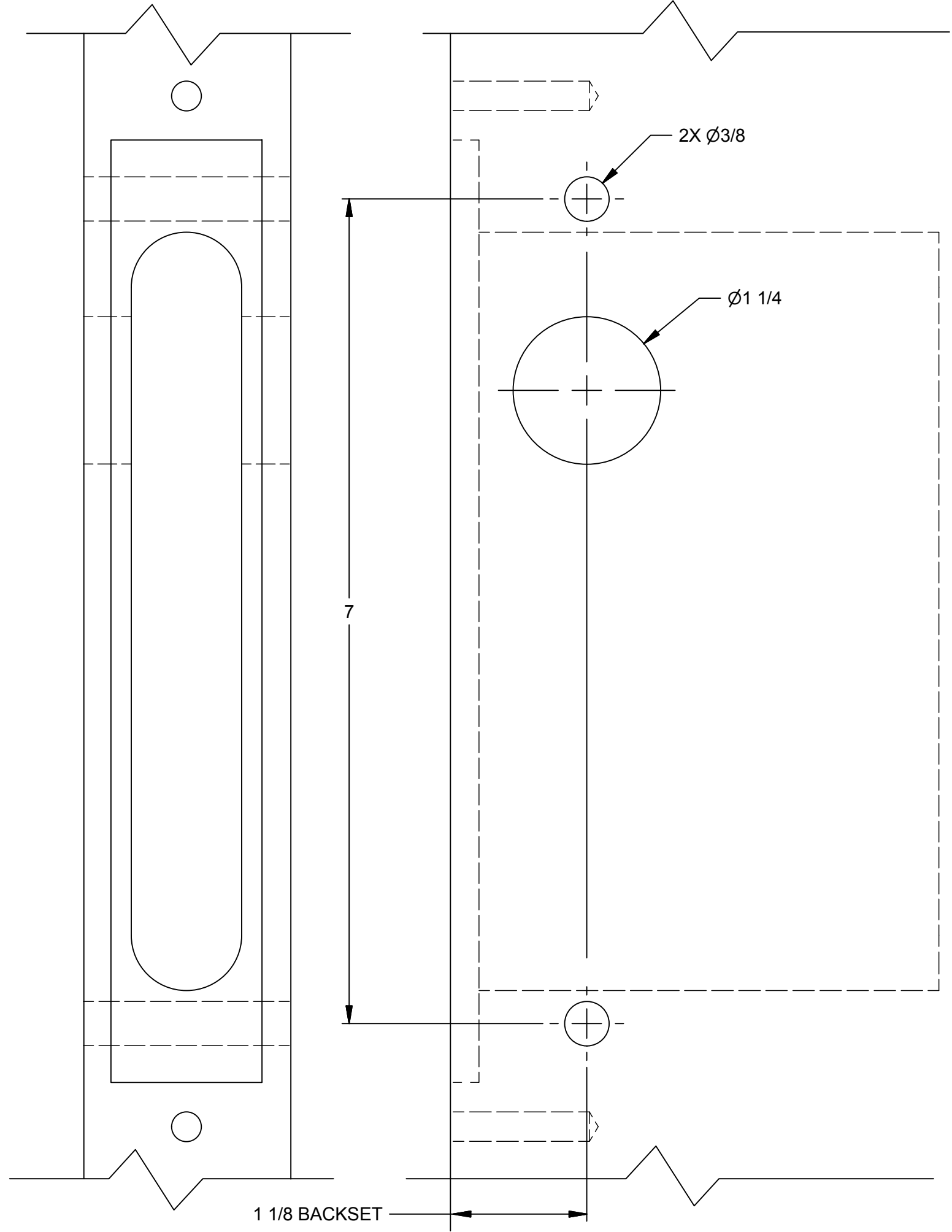
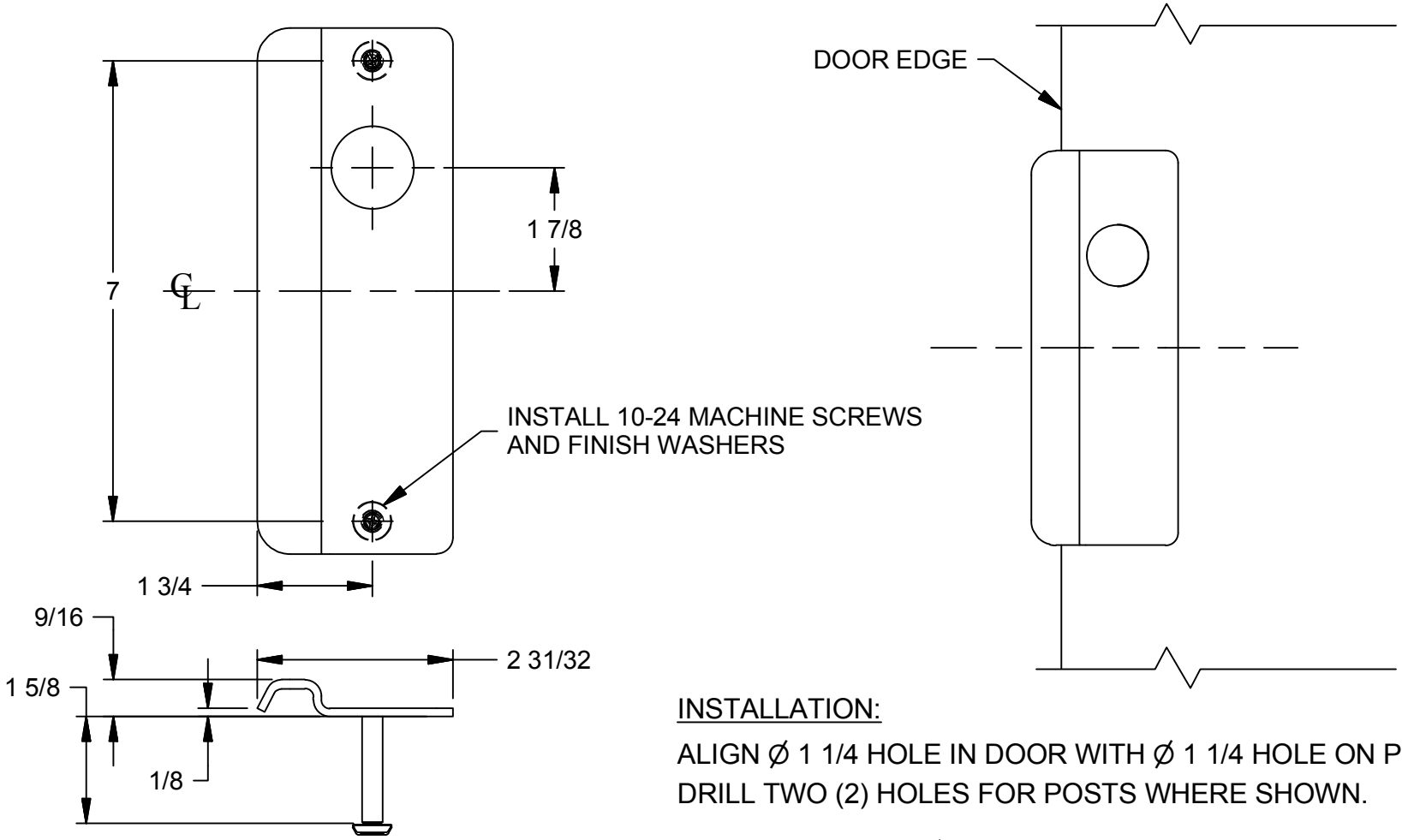
NOTE: This template is provided for use only on the job for which it was requested. Trimco reserves the right to make design changes without notice. Trimco will not be responsible for errors or damage caused by the use of out-of-date templates.

DATE  
05/21/13

Revision Record:  
Adjusted 6" post ctc dim to 7" and corrected installation note: 1 1/4" dia hole in door was 2 1/8" Date 5-15-13, SGH/JG.  
Adjusted hole location and updated hardware, Date:04/9/13, SGH/JG  
Supersedes Date:2/3/09



# 1082-8 RH ANTI-VANDAL DEVICE TEMPLATE



NOTE: This template is provided for use only on the job for which it was requested. Trimco reserves the right to make design changes without notice. Trimco will not be responsible for errors or damage caused by the use of out-of-date templates.

DATE  
05/21/13