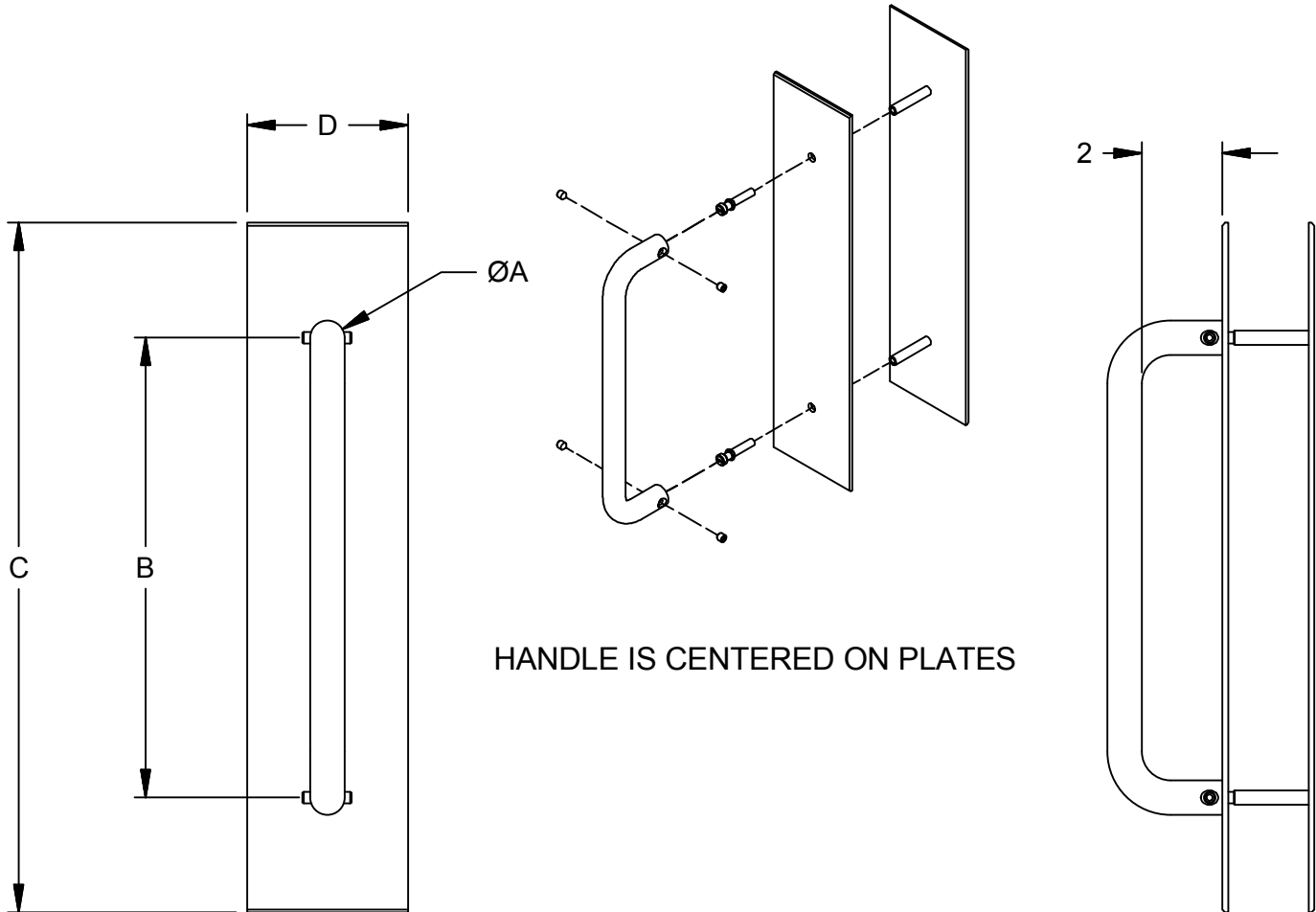


DOOR PREP:

1. DRILL Ø3/8" HOLES, (HANDLE CENTER) DISTANCE APART.
2. INSTALL PUSH PLATE THROUGH HOLES.
3. HOLD PULL PLATE OVER HOLES AND INSERT MOUNTING POSTS THROUGH PULL PLATE THEN DOOR.
4. THREAD FBTB50007 BOLTS INTO PUSH PLATE.
5. MOUNT HANDLE ON POSTS USING FOUR (4) SUPPLIED SET SCREWS.



HANDLE IS CENTERED ON PLATES

PART NUMBER	DIM A (Ø)	DIM B	DIM C	DIM D
1894-3	3/4"	6"	15"	3-1/2"
1894-3B	3/4"	8"	15"	3-1/2"
1894-4	3/4"	6"	16"	4"
1894-4B	3/4"	8"	16"	4"
1895-3	1"	8"	15"	3-1/2"
1895-3B	1"	10"	15"	3-1/2"
1895-4	1"	8"	16"	4"
1895-4B	1"	10"	16"	4"

Revision: Updated notes added set screws to views. SGH/JG, 02/20/14
Changed note 4, p/n: FBTB50007 was: FBTB37502, SGH/JG, 03/04/14

NOTE: This template is provided for use only on the job for which is was requested. Trimco reserves the right to make design changes without notice. Trimco will not be responsible for errors or damage caused by the use of out-of-date templates.

DATE

03/04/14