

# 1096CTRL, 1097CTRL TEMPLATE

IMPORTANT:  
READ ALL INSTRUCTIONS CAREFULLY  
BEFORE PREPARING DOOR

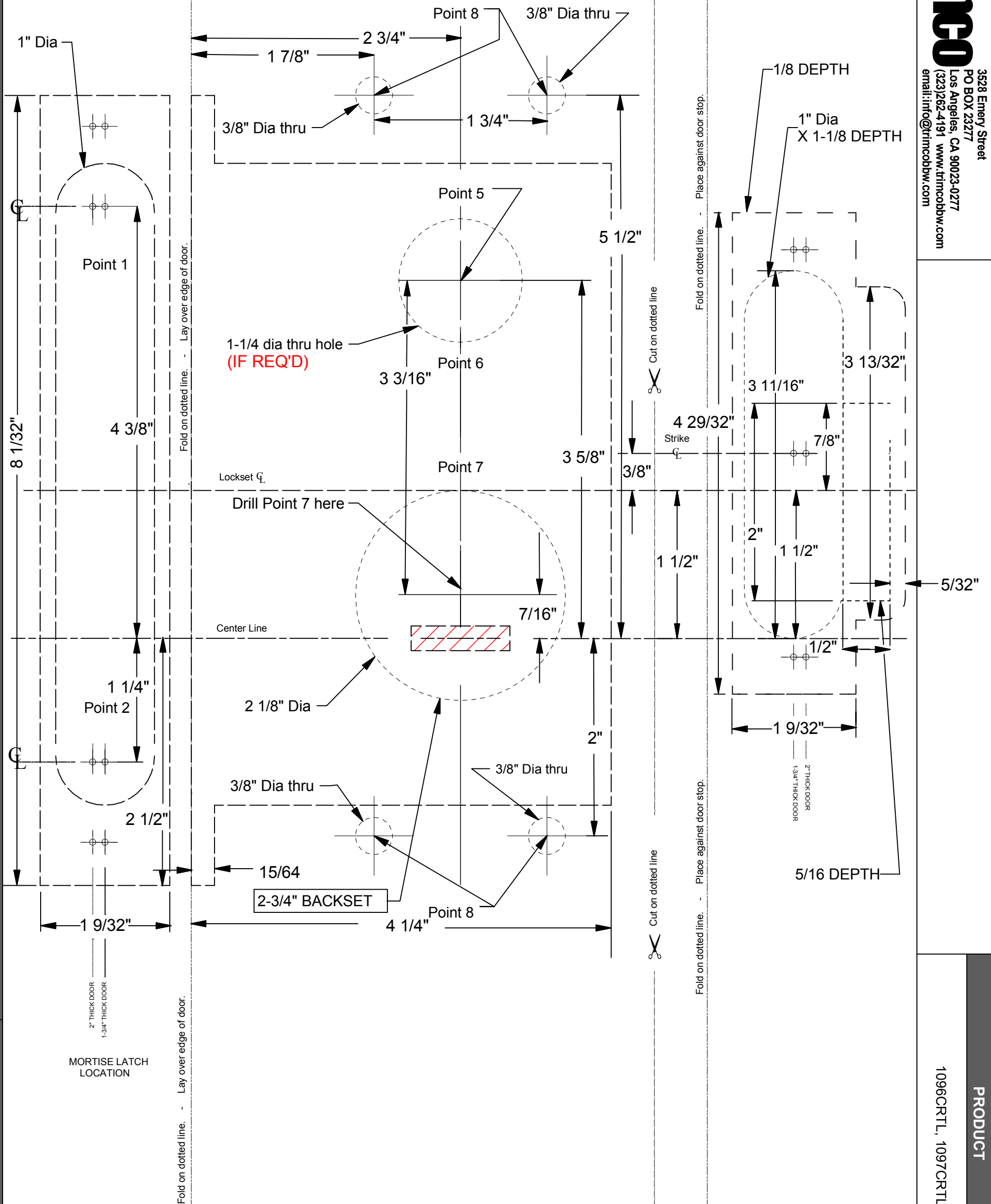
## RH or LHR DOOR

(RIGHT HAND or LEFT HAND REVERSE)

### LATCH TEMPLATE

### LEVER ASSY & LATCH TEMPLATE

### STRIKE TEMPLATE



TEMPLATE NO.  
18673  
SHT 1 OF 2

**Trimco**  
3528 Emery Street  
PO BOX 23277  
Los Angeles, CA 90023-0277  
(323)262-4191 www.trimcobw.com  
email:info@trimcobw.com

PRODUCT  
1096CTRL, 1097CTRL

NOTE: This template is provided for use only on the job for which it was requested. Trimco reserves the right to make design changes without notice. Trimco will not be responsible for errors or damage caused by the use of out-of-date templates.

DATE  
04/28/16

REVISION RECORD:  
03/19/08, Created, SH  
4/28/16, SCC/JG, UPDATED TEMPLATE MODEL/DIMS TO CORRESPOND TO COMPARABLE 18010 TEMPLATE. UPDATED TITLE TO REFLECT THAT THIS TEMPLATE IS FOR BOTH THE 1096CTRL (WAS 1096TL) AND 1097CTRL (CR FOR CORBIN MORTISE LOCK)

# 1096CTRL, 1097CTRL TEMPLATE

TEMPLATE NO.  
18673  
SHT 2 OF 2

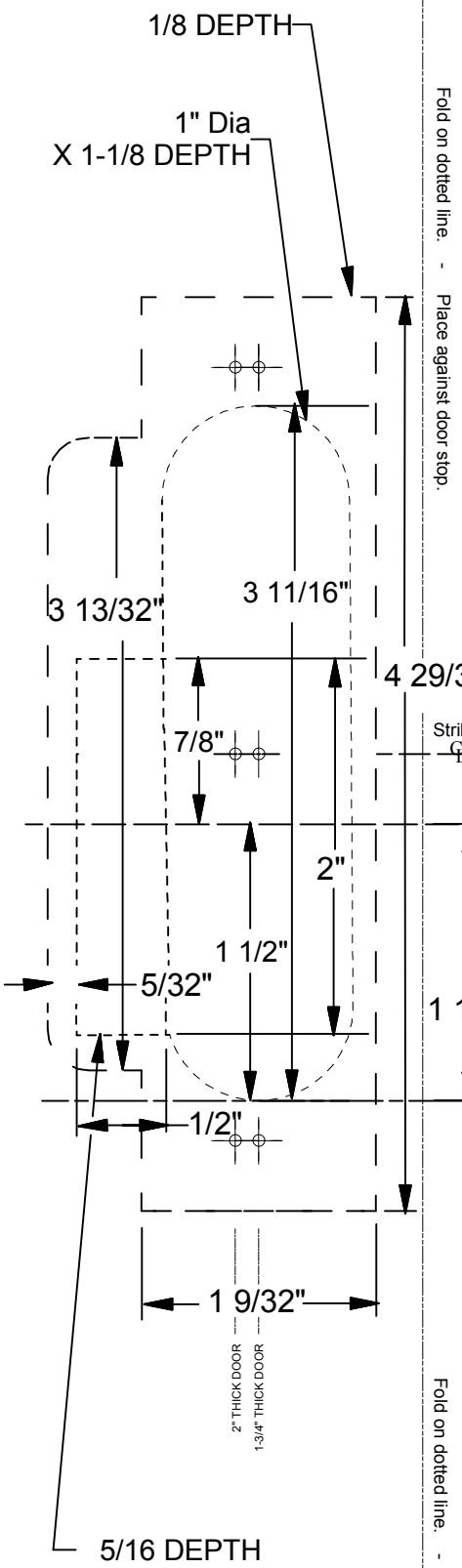
**Trimco**  
3528 Emery Street  
PO BOX 23277  
Los Angeles, CA 90023-0277  
(323)262-4191 www.trimcobw.com  
email:info@trimcobw.com

PRODUCT  
1096CTRL, 1097CTRL

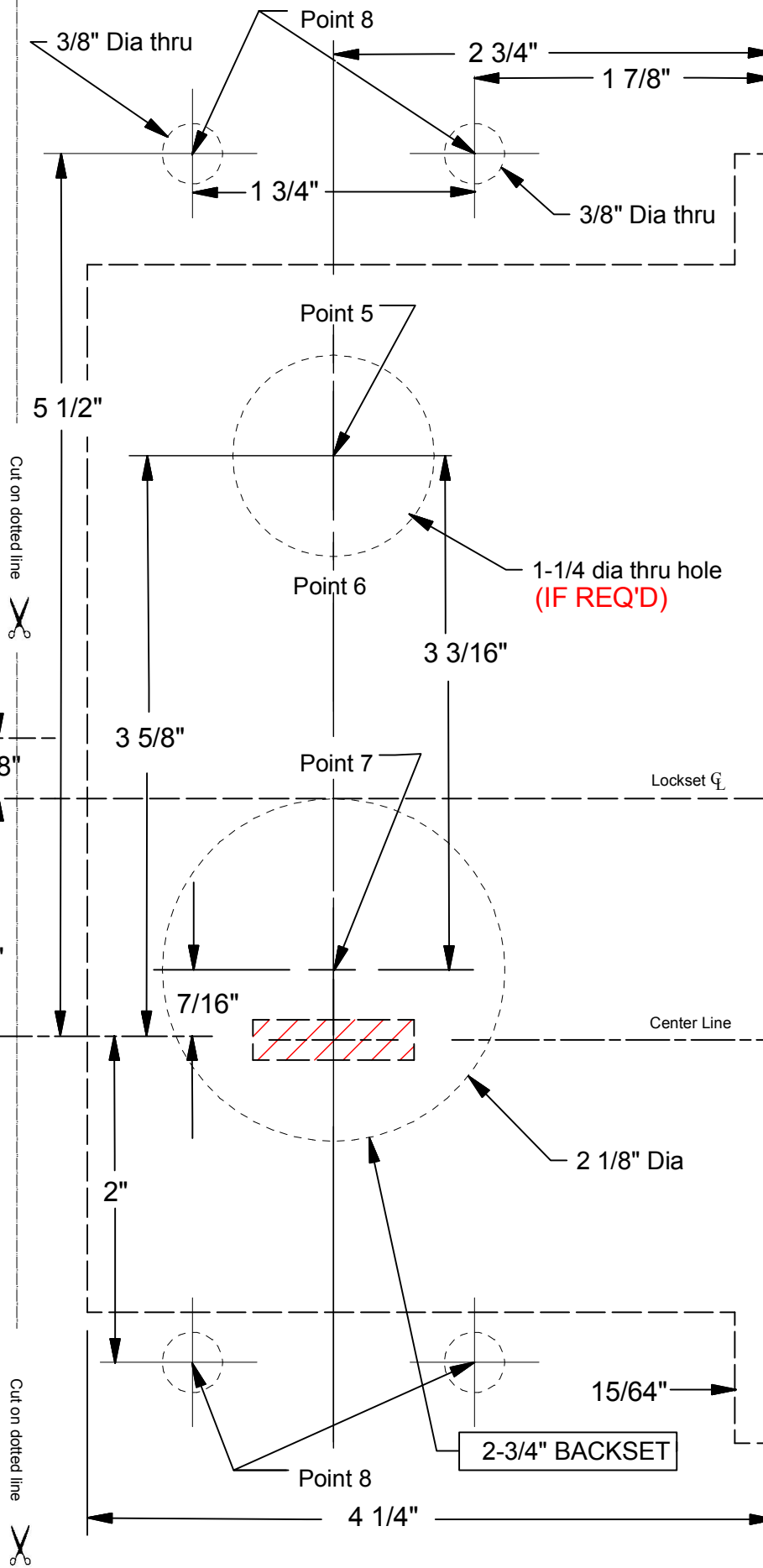
IMPORTANT:  
READ ALL INSTRUCTIONS CAREFULLY  
BEFORE PREPARING DOOR

**LH or RHR DOOR**  
(LEFT HAND or RIGHT HAND REVERSE)

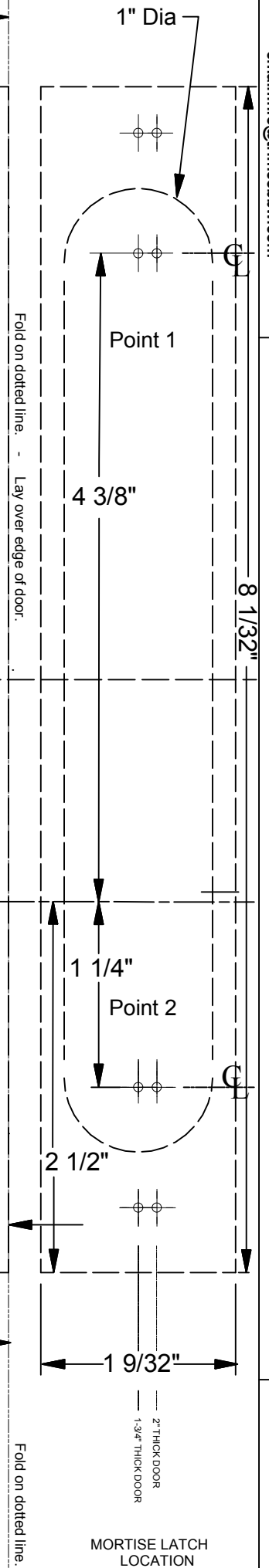
## STRIKE TEMPLATE



## LEVER ASSY & LATCH TEMPLATE



## LATCH TEMPLATE



NOTE: This template is provided for use only on the job for which it was requested.  
Trimco reserves the right to make design changes without notice. Trimco will  
not be responsible for errors or damage caused by the use of out-of-date templates.

DATE  
04/28/16