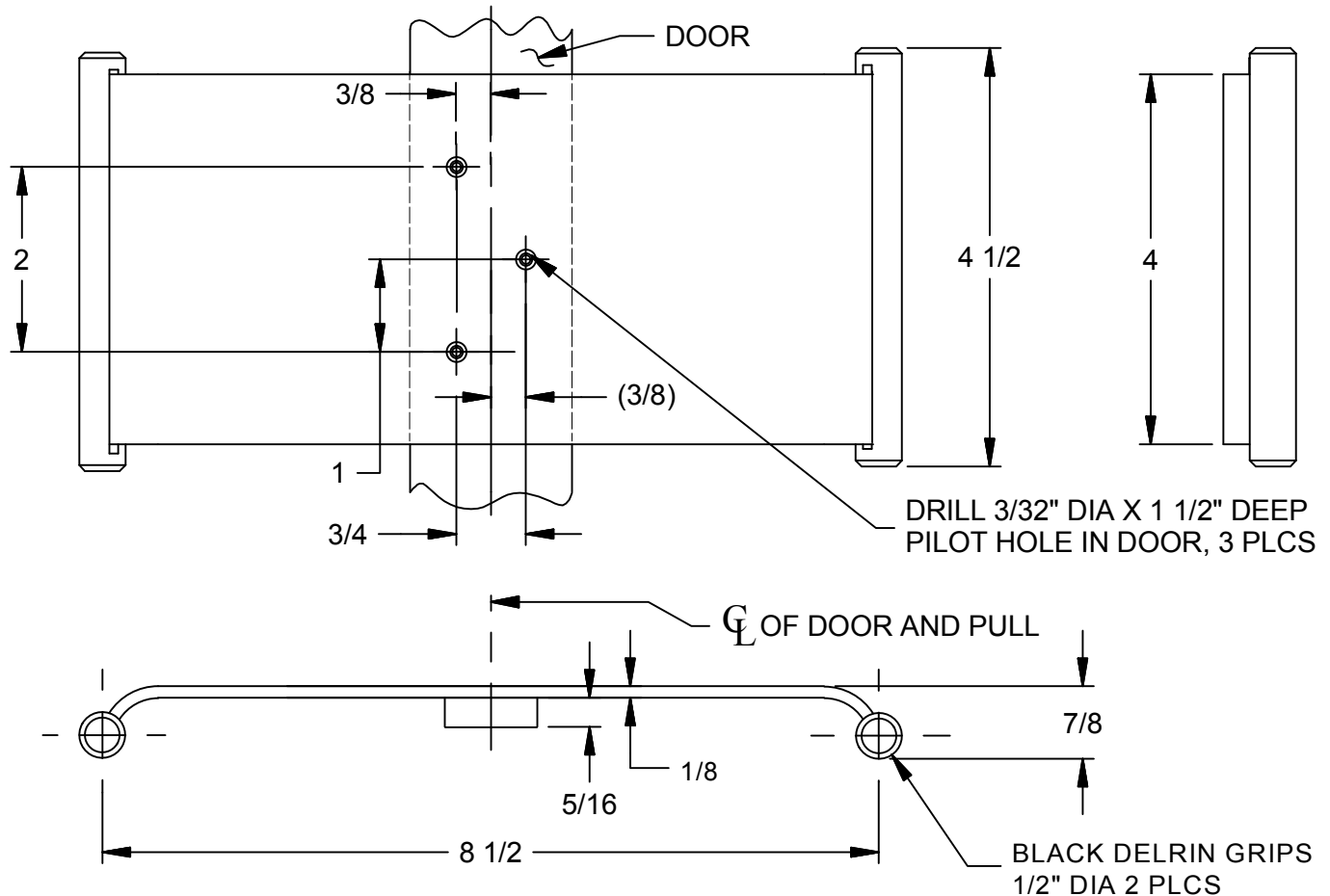


INSTRUCTIONS:

1. OUR STANDARD 1069 ASSEMBLY WILL WORK WITH A FRAME/WALL OF UP TO 5 1/2" WIDTH - CUSTOMIZED ASSEMBLIES CAN BE MADE FOR WIDTH'S GREATER THAN 5 1/2" - REFERENCE SHEET 2.
2. PREPARE DOOR AS SHOWN ABOVE.
3. ATTACH PULL TO DOOR USING THREE (3) #6X1-5/8" FH PH WS (SUPPLIED)
4. INSERT THREE (3) PLUG/MUTE IN SCREW HOLES TO CONCEAL SCREWS AND PROVIDE IMPACT BUMPER.
5. INSTALL SLIDE DECALS AS SHOWN (SEE SHEET 2)

DOOR PREP DETAIL:

CENTER PULL ON DOOR CENTERLINE (FOR 1-3/8" AND THICKER WOOD DOORS)
HEIGHT ON DOOR IS SUBJECT TO INSTALLER DISCRETION



Revision: Sheet 1, Added new note 1, Re-numbered notes, Added Sheet 2, SGHJUG 01/22/14, supercedes version 12/4/12
Revision: Added 7/8, SGHJUG 06/25/13, supercedes version 12/4/12
12-4-12 version supercedes 12-7-07 revision, Clarified notes/added notes/added labels. Added door picturization to main view, door pull. Added 3/8, (3/8), 1, and 1/8 dims
Added note 5 to sheet 1 of 2.
Added slide decal and view to sheet 2 of 2, SGHJUG 06/24/14
Adjusted 1" and 4" dimensions in sheet 1 top left view that had become inadvertently disassociated with corresponding dimension lines, JWG, 11-25-14
Corrected Sheet 2 operating handle label, SGHJUG, 07/01/15

NOTE: This template is provided for use only on the job for which is was requested.
Trimco reserves the right to make design changes without notice. Trimco will not be responsible for errors or damage caused by the use of out-of-date templates.

DATE

07/01/15

TEMPLATE NO.

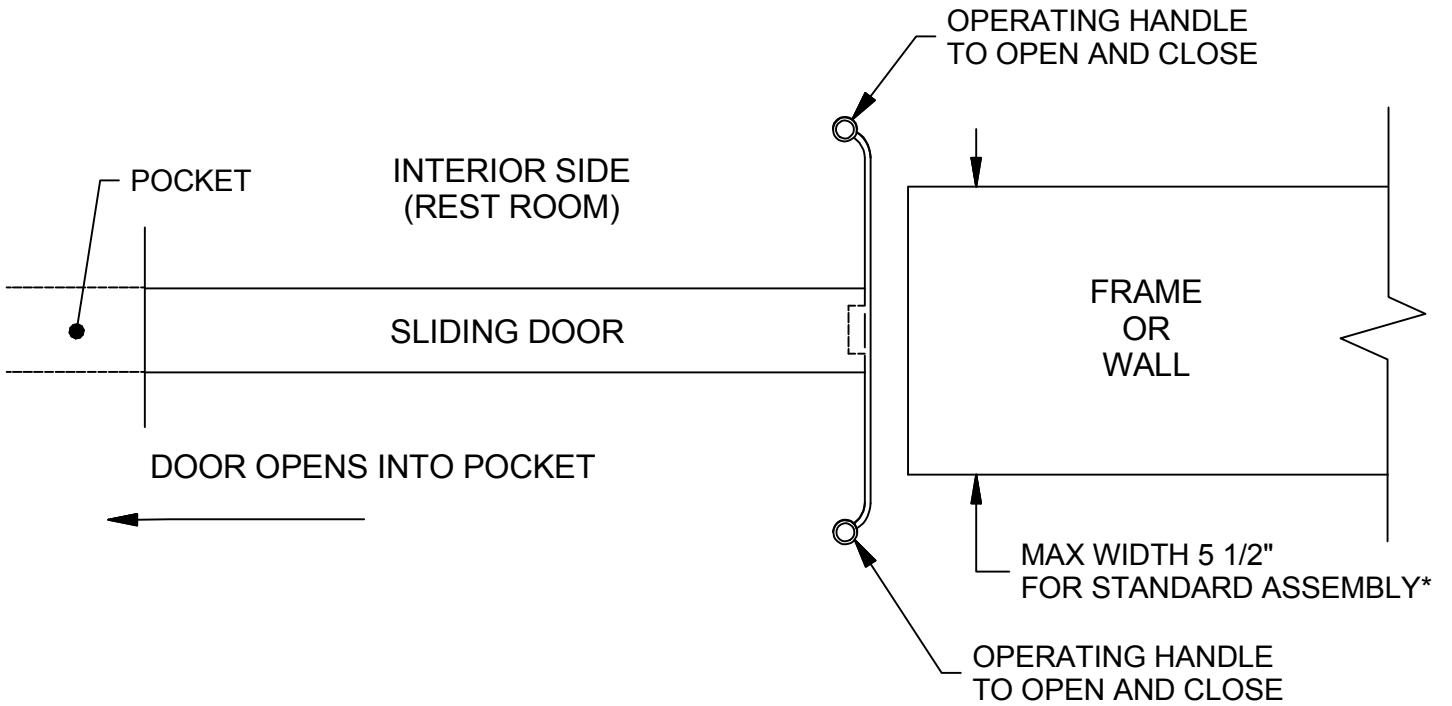
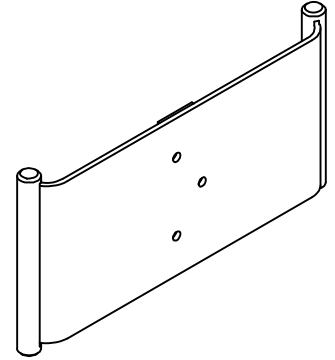
18521
SHEET 2 OF 2



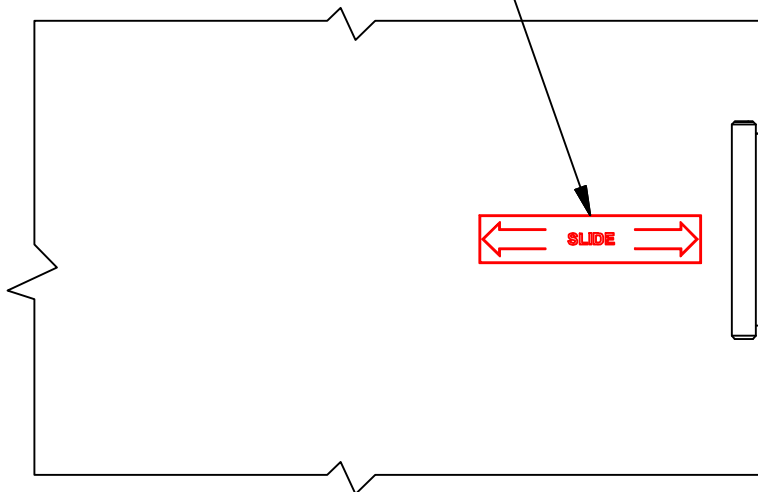
1351 Rocky Point Drive
Oceanside, CA 92056
(323)262-4191
www.trimcohardware.com
email:info@trimcobbw.com

PRODUCT

1069
POCKET DOOR PULL
PASSAGE ONLY



SUGGESTED SLIDE LABEL LOCATION



*CUSTOMIZED ASSEMBLIES CAN BE MADE FOR WIDTH'S GREATER THAN 5 1/2"

NOTE: This template is provided for use only on the job for which is was requested. Trimco reserves the right to make design changes without notice. Trimco will not be responsible for errors or damage caused by the use of out-of-date templates.

DATE

07/01/15