

TEMPLATE NO.

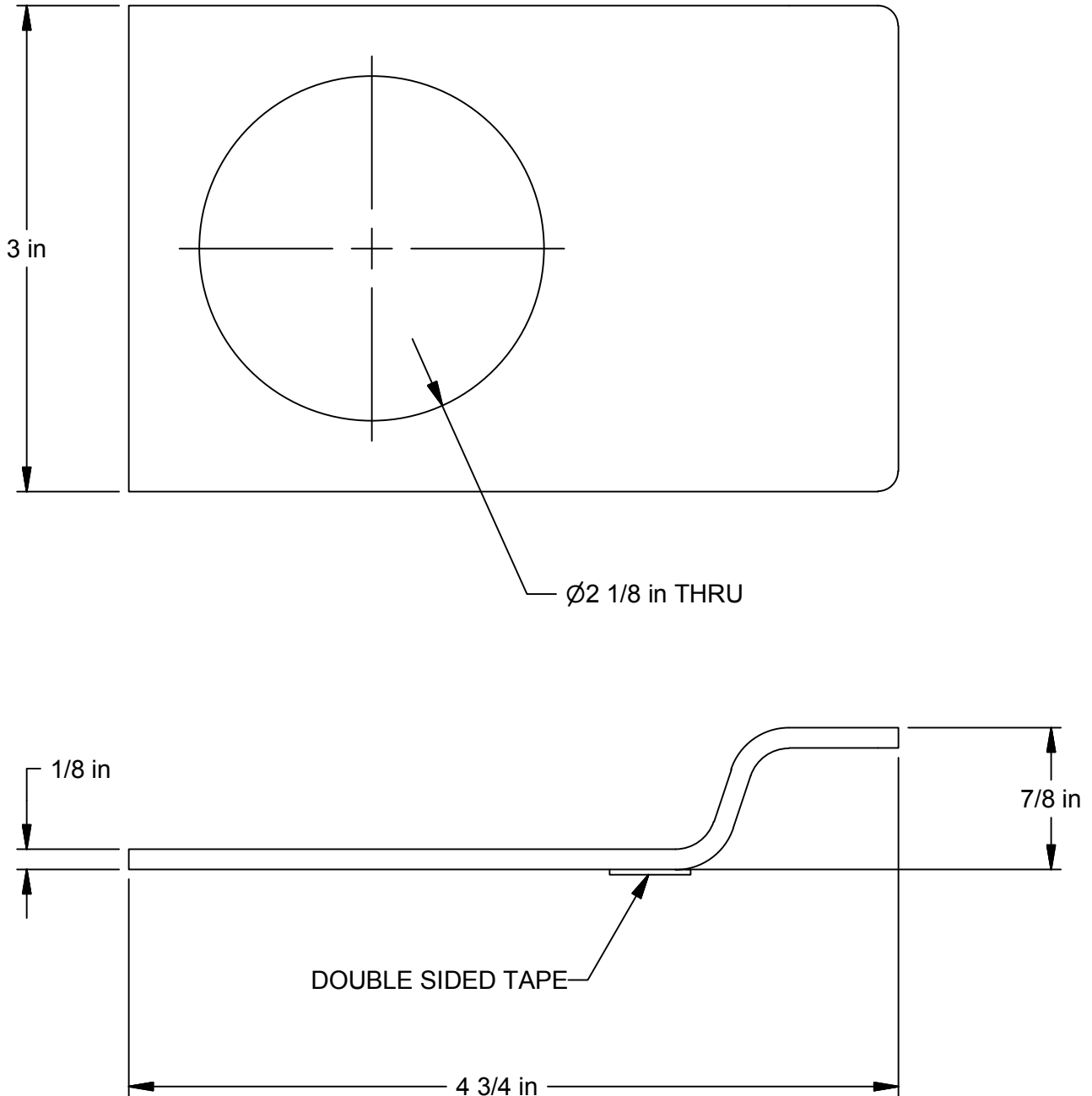
17445
SHT 1 OF 1



3528 Emery Street
PO BOX 23277
Los Angeles, CA 90023-0277
(323)262-4191 www.trimcobbw.com
email:info@trimcobbw.com

PRODUCT

1822-2 TEMPLATE,
PLATE, PULL, W/ TAPE



Revision Record:
Changed all dimensions to fractions, SGH/JG, 10/24/13

NOTE: This template is provided for use only on the job for which is was requested. Trimco reserves the right to make design changes without notice. Trimco will not be responsible for errors or damage caused by the use of out-of-date templates.

DATE

10/24/13