



Trimco

3528 Emery Street
PO BOX 23277
Los Angeles, CA 90023-0277
(323)262-4191 www.trimcobw.com
email:info@trimcobw.com

1562M TEMPLATE

IMPORTANT:
READ ALL INSTRUCTIONS CAREFULLY
BEFORE PREPARING DOOR

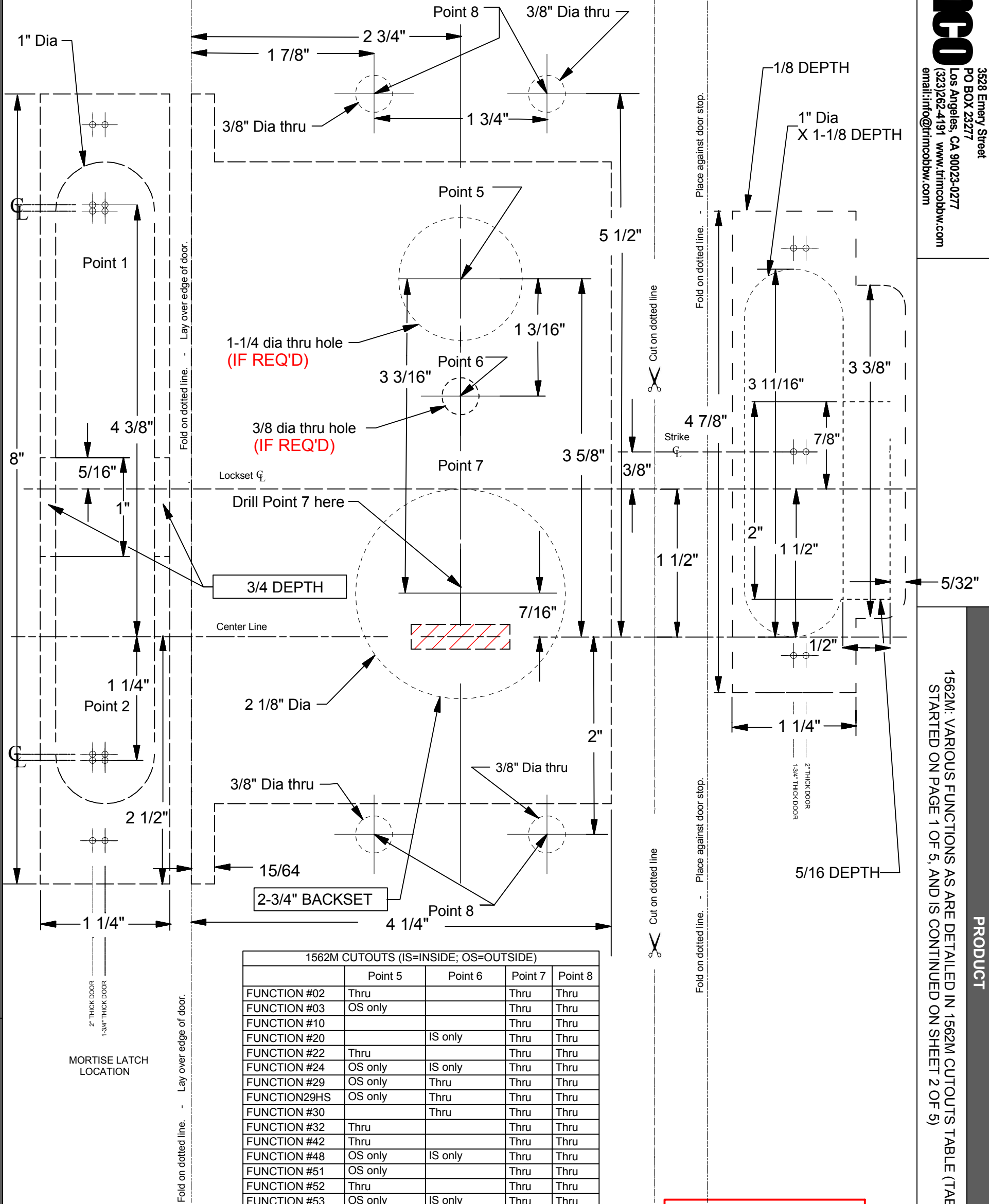
RH or LHR DOOR

(RIGHT HAND or LEFT HAND REVERSE)

LATCH TEMPLATE

LEVER ASSY & LATCH TEMPLATE

STRIKE TEMPLATE



1562M CUTOUTS (IS=INSIDE; OS=OUTSIDE)				
	Point 5	Point 6	Point 7	Point 8
FUNCTION #02	Thru		Thru	Thru
FUNCTION #03	OS only		Thru	Thru
FUNCTION #10			Thru	Thru
FUNCTION #20		IS only	Thru	Thru
FUNCTION #22	Thru		Thru	Thru
FUNCTION #24	OS only	IS only	Thru	Thru
FUNCTION #29	OS only	Thru	Thru	Thru
FUNCTION29HS	OS only	Thru	Thru	Thru
FUNCTION #30		Thru	Thru	Thru
FUNCTION #32	Thru		Thru	Thru
FUNCTION #42	Thru		Thru	Thru
FUNCTION #48	OS only	IS only	Thru	Thru
FUNCTION #51	OS only		Thru	Thru
FUNCTION #52	Thru		Thru	Thru
FUNCTION #53	OS only	IS only	Thru	Thru
FUNCTION #54	OS only	IS only	Thru	Thru
FUNCTION #55	OS only		Thru	Thru
FUNCTION #56	OS only		Thru	Thru

SEE OTHER SIDE FOR CONCLUSION OF TABLE

NOTE: This template is provided for use only on the job for which it was requested. Trimco reserves the right to make design changes without notice. Trimco will not be responsible for errors or damage caused by the use of out-of-date templates.

DATE
09/08/15

REVISION RECORD:
4/5/10, Created, SH
1/15/12 Revision, JGHM: added two 1 3/8" dims, one on sheet 1 of 2 and one on sheet 2 of 2
3/7/12 Revision, JGHM: clarified point 5's cut location and point 8 dia's added Tables A and B in place of P/N labels
5/22/12 Revision, JG/SH: Relocated all 7 cutouts by 1/16" downward; 1 1/2" was 1 3/8"; 2" was 1 5/8"; 7/8" added,
and 7/8" dim makes 1 5/8" now 2"; 5/16" and 1" added; 3 11/16" and 1 1/2"; Corrected location for 4 1/2" dim.
09/08/15 Revision, SGT/LUC: Added sheets 3 thru 5.



Trimco

3528 Emery Street
PO BOX 23277
Los Angeles, CA 90023-0277
(323)262-4191 www.trimcobw.com
email:info@trimcobw.com

1562M: VARIOUS FUNCTIONS AS ARE DETAILED IN 1562M CUTOUTS TABLE (TABLE IS STARTED ON PAGE 1 OF 5, AND IS CONTINUED ON SHEET 2 OF 5)

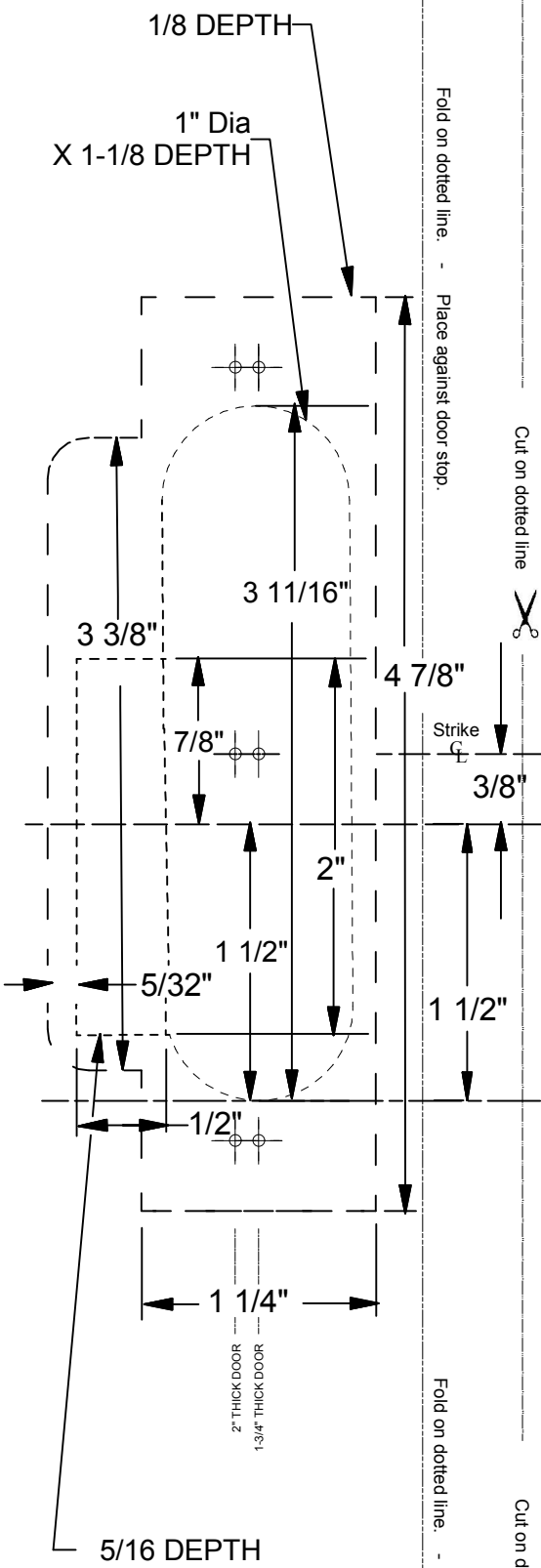
1562M TEMPLATE

IMPORTANT:
READ ALL INSTRUCTIONS CAREFULLY
BEFORE PREPARING DOOR

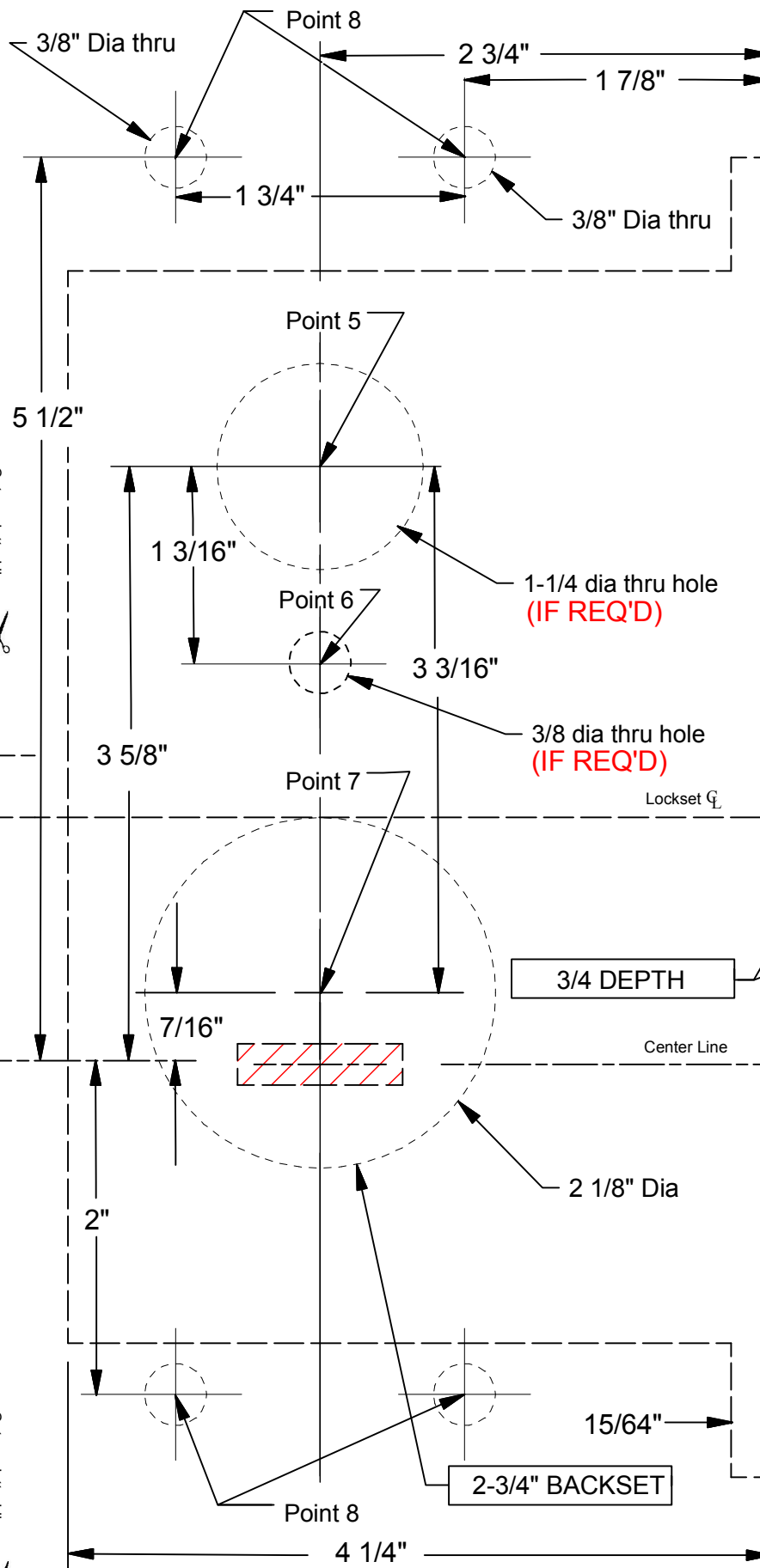
LH or RHR DOOR

(LEFT HAND or RIGHT HAND REVERSE)

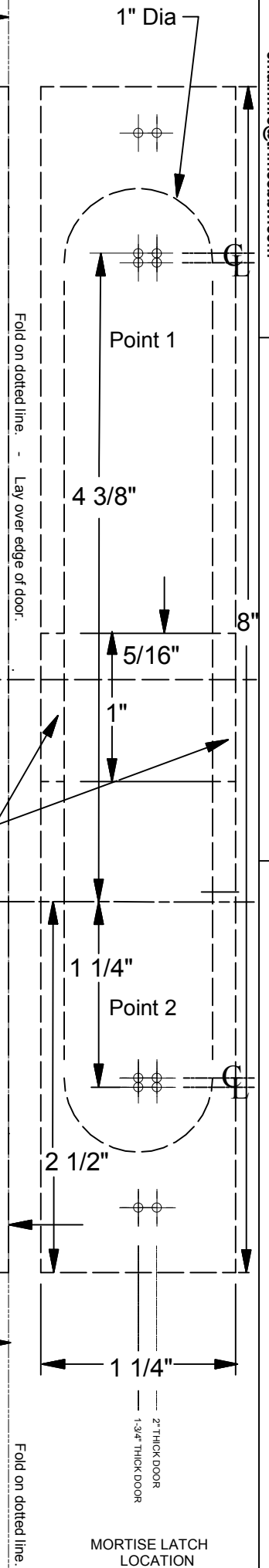
STRIKE TEMPLATE



LEVER ASSY & LATCH TEMPLATE



LATCH TEMPLATE



CONT'D FROM OTHER SIDE:

1562M CUTOUTS (IS=INSIDE; OS=OUTSIDE)				
	Point 5	Point 6	Point 7	Point 8
FUNCTION #57	OS only		Thru	Thru
FUNCTION #58	OS only	IS only	Thru	Thru
FUNCTION #59	OS only		Thru	Thru
FUNCTION #60		IS only	Thru	Thru
FUNCTION #62	Thru		Thru	Thru
FUNCTION #65	OS only	IS only	Thru	Thru
FUNCTION #67	OS only	IS only	Thru	Thru
FUNCTION #68	OS only	IS only	Thru	Thru
FUNCTION #69	OS only	IS only	Thru	Thru
FUNCTION #70			Thru	Thru
FUNCTION #72	Thru		Thru	Thru
FUNCTION #73	OS only		Thru	Thru
FUNCTION #75	OS only	IS only	Thru	Thru
FUNCTION #80			OS only	Thru
FUNCTION #82	Thru		Thru	Thru
FUNCTION #90			Thru	Thru
FUNCTION #92	Thru		Thru	Thru

REVISION RECORD:

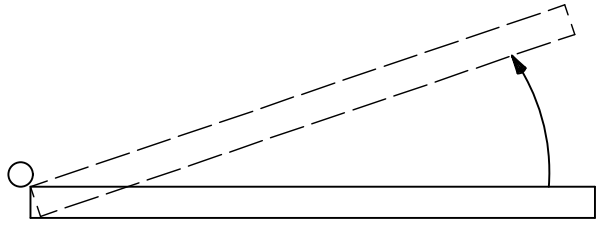
4/5/10, Created, SH
1/18/12 Revision, JG/HM: added two 1 3/8" dims, one on sheet 1 of 2 and one on sheet 2 of 2
3/7/12 Revision, JG/HM: clarified point 5-8 cntr locs and point 8 dia's; added Tables A and B in place of P/N labels
5/22/12 Revision, JG/SH: Relocated all 7 cutouts by 1/16" downward; 1 1/2" was 1 3/8"; 2" was 1 5/8"; 7/8" added, and 7/8" dim makes 1 5/8" now 2"; 5/16" and 1" added, 3 11/16" and 1 1/2". Corrected location for 4 1/2" dim.

NOTE: This template is provided for use only on the job for which it was requested. Trimco reserves the right to make design changes without notice. Trimco will not be responsible for errors or damage caused by the use of out-of-date templates.

DATE
09/08/15

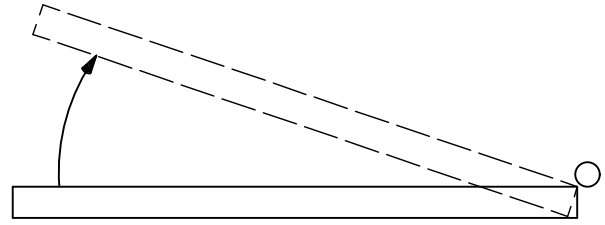


LEFT HAND, RIGHT HAND DOOR DEFINITIONS:



LH Inswing

(Inside)



RH Inswing

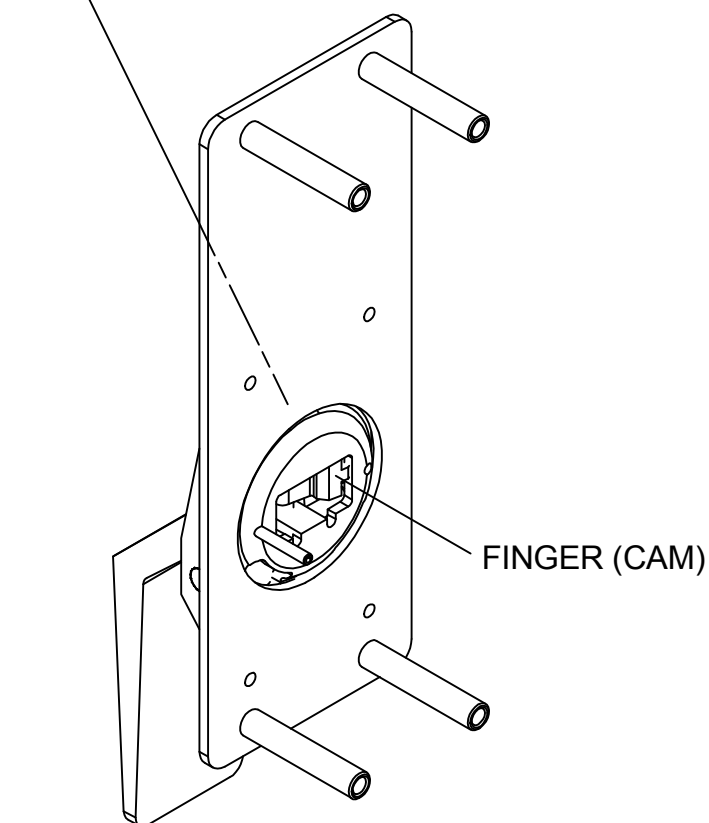
TO CHANGE THE HANDING OF A LEVER ASSEMBLY:

- 1) Loosen the Cam Pivot Pin just enough to enable the removal of the Short Bushing and the Finger (Cam) - be sure the Cam Pivot Pin remains partially encased in the Long Bushing.
- 2) Remove the Short Bushing and the Finger. Rotate the Finger 180°, then reinstall the Finger and Short Bushing.
- 3) Re-tighten the Cam Pivot Pin.

Note:

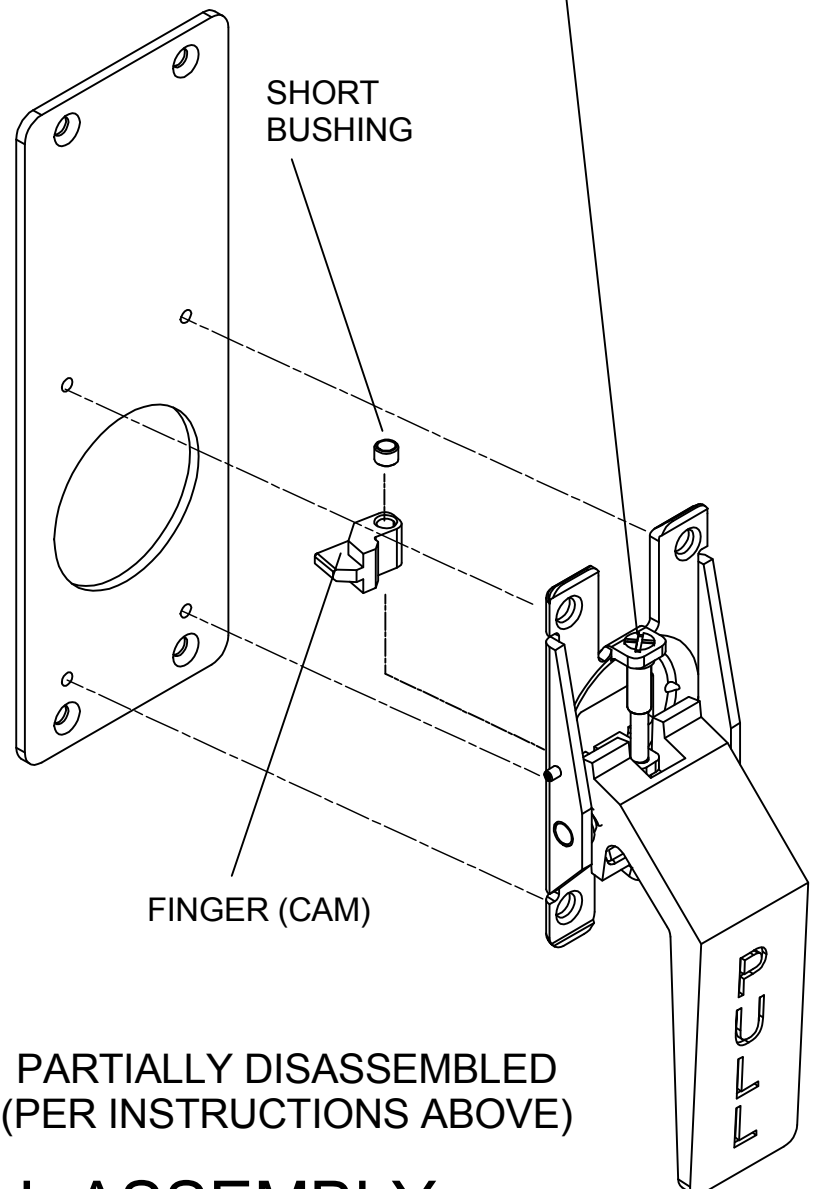
Push/Pull Latchsets are assembled for right or for left hand doors. Be sure that handing is correct for a given door type.

SHORT BUSHING AND LONG BUSHING AND CAM PIVOT PIN (ENCASED IN BUSHING) - NOT VISIBLE IN THIS VIEW



FULLY ASSEMBLED

CAM PIVOT PIN (STILL PARTIALLY ENCASED IN THE LONG BUSHING)

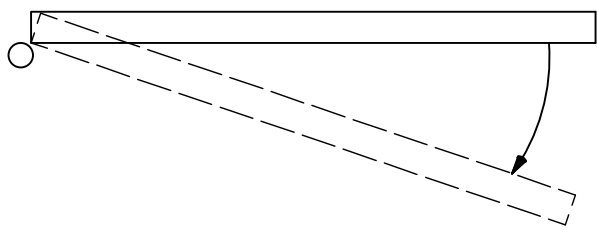


PARTIALLY DISASSEMBLED (PER INSTRUCTIONS ABOVE)

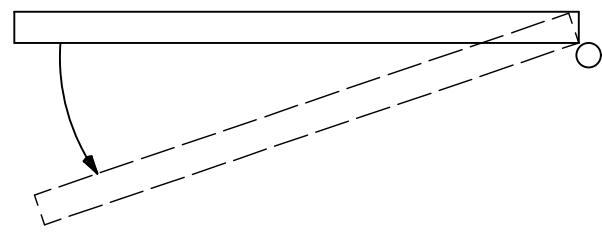
1562QP PULL ASSEMBLY



LEFT HAND, RIGHT HAND DOOR DEFINITIONS:



(Outside)



LHR (Left Hand Reverse)

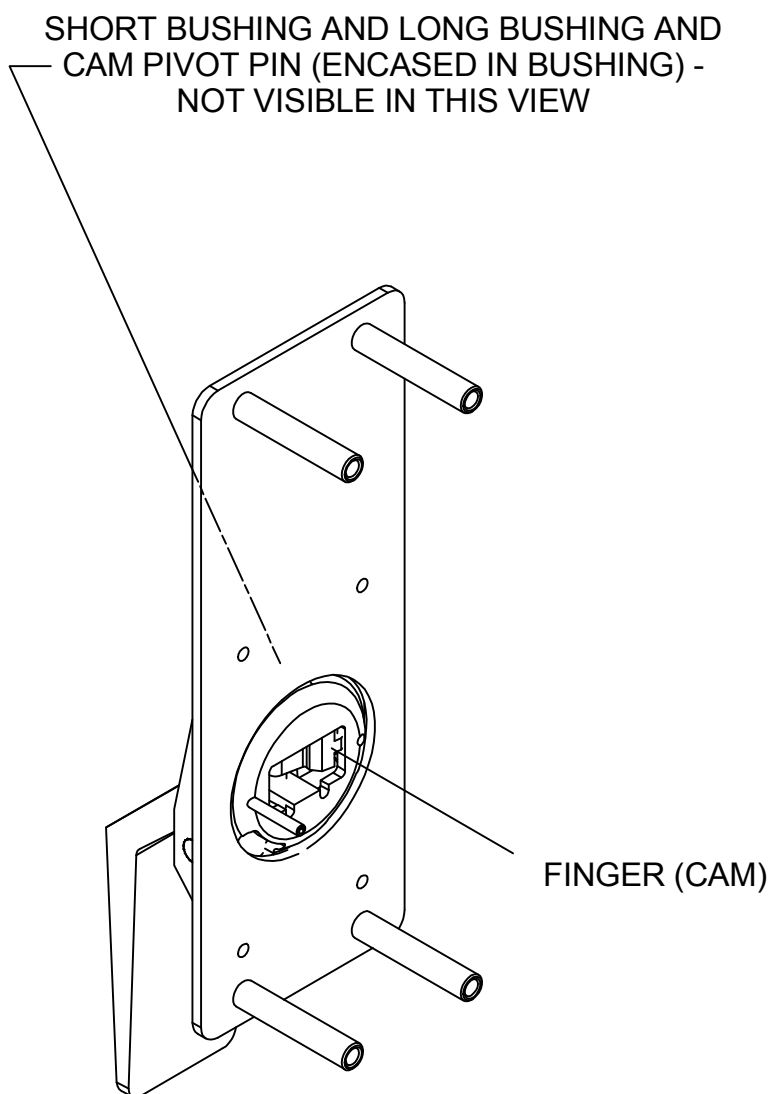
RHR (Right Hand Reverse)

TO CHANGE THE HANDING OF A LEVER ASSEMBLY:

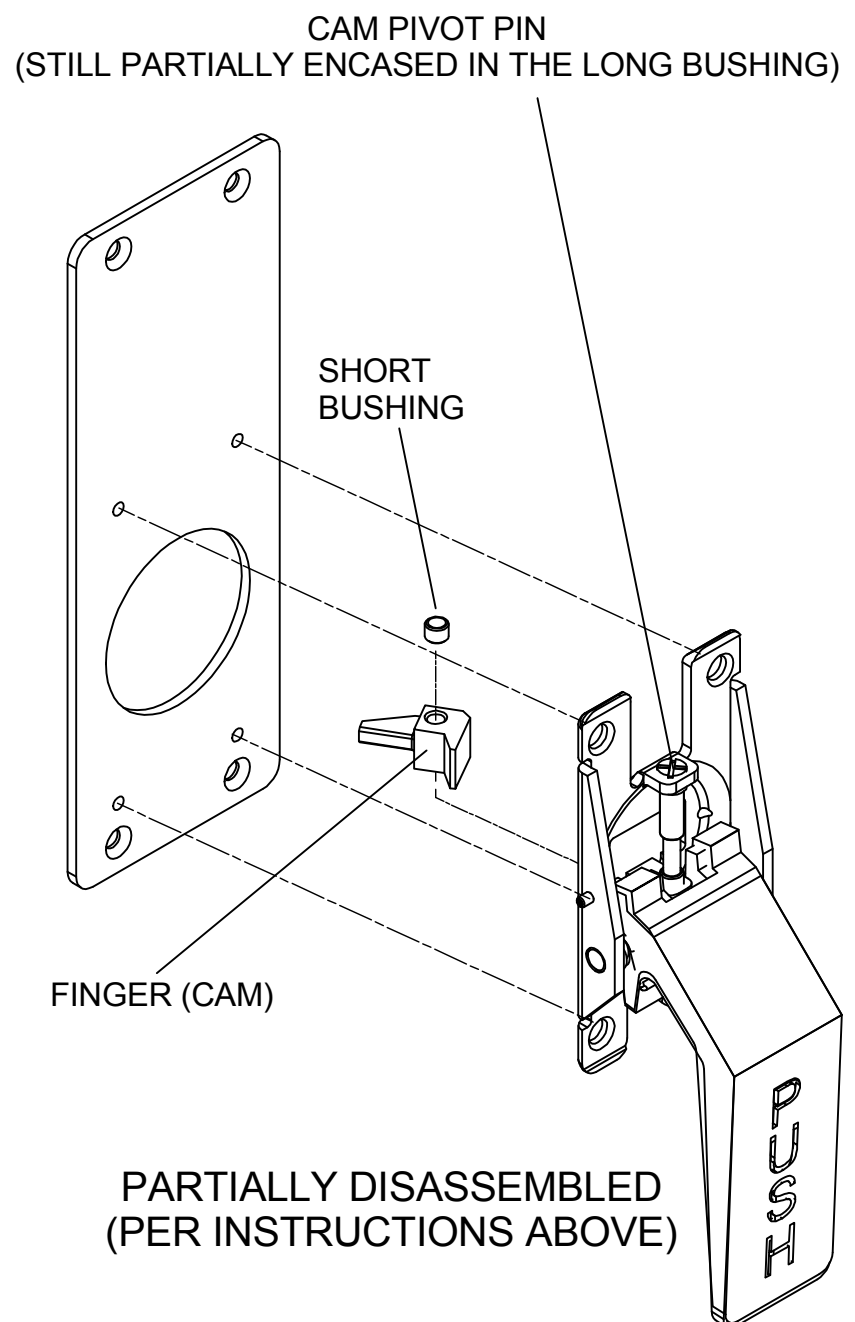
- 1) Loosen the Cam Pivot Pin just enough to enable the removal of the Short Bushing and the Finger (Cam) - be sure the Cam Pivot Pin remains partially encased in the Long Bushing.
- 2) Remove the Short Bushing and the Finger. Rotate the Finger 180°, then reinstall the Finger and Short Bushing.
- 3) Re-tighten the Cam Pivot Pin.

Note:

Push/Pull Latchsets are assembled for right hand reverse or for left hand reverse doors. Be sure that handing is correct for a given door type.



FULLY ASSEMBLED



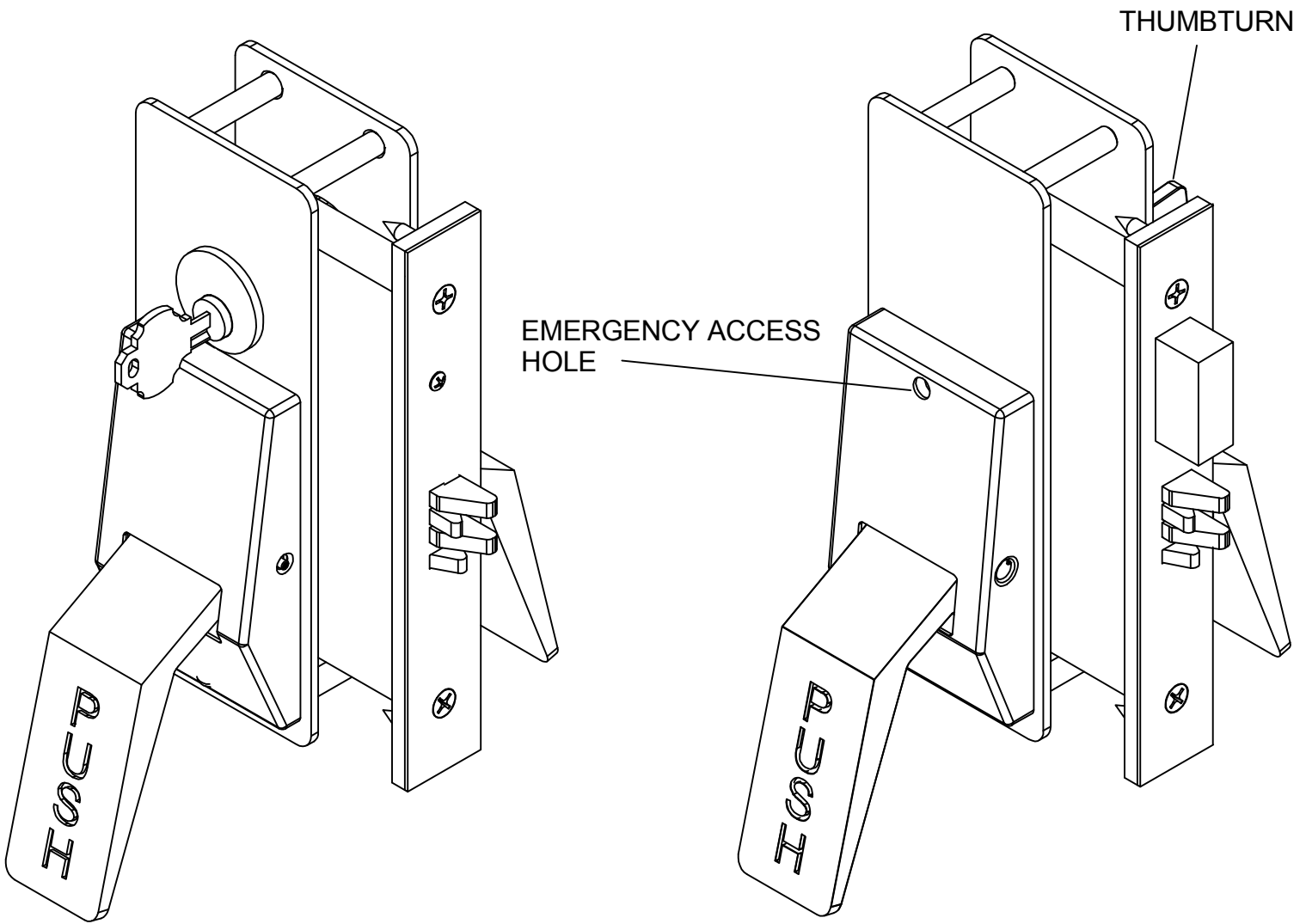
PARTIALLY DISASSEMBLED (PER INSTRUCTIONS ABOVE)

1562QP PULL ASSEMBLY

NOTE: This template is provided for use only on the job for which it was requested. Trimco reserves the right to make design changes without notice. Trimco will not be responsible for errors or damage caused by the use of out-of-date templates.

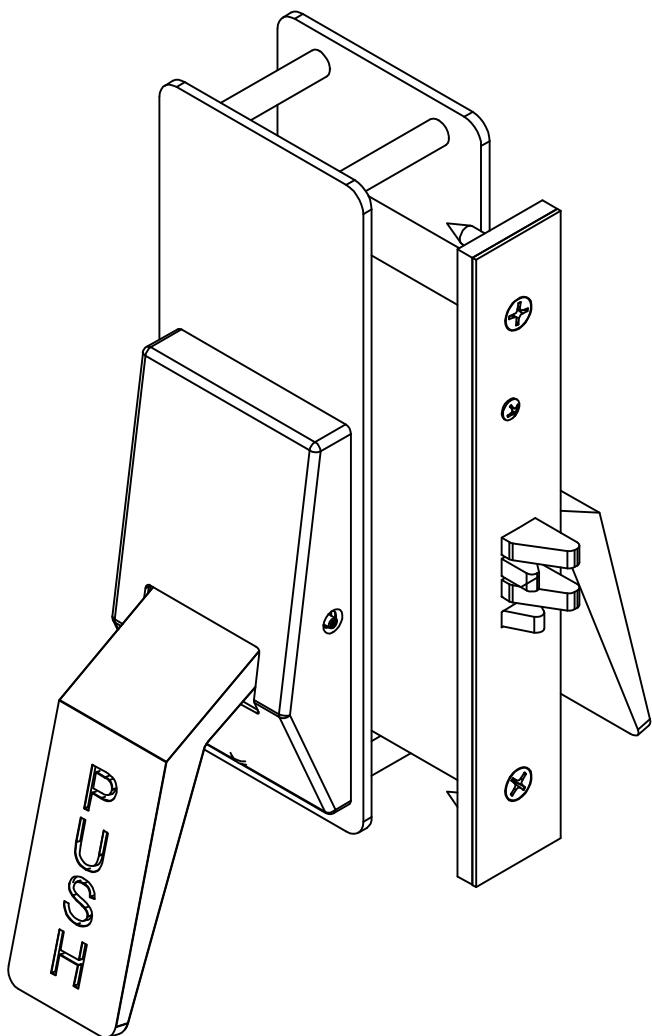
DATE
09/08/15

LH SHOWN
THE ENGRAVED TEXT SHOWN ON ALL LEVERS IS OPTIONAL
(AT ADDITIONAL COST)

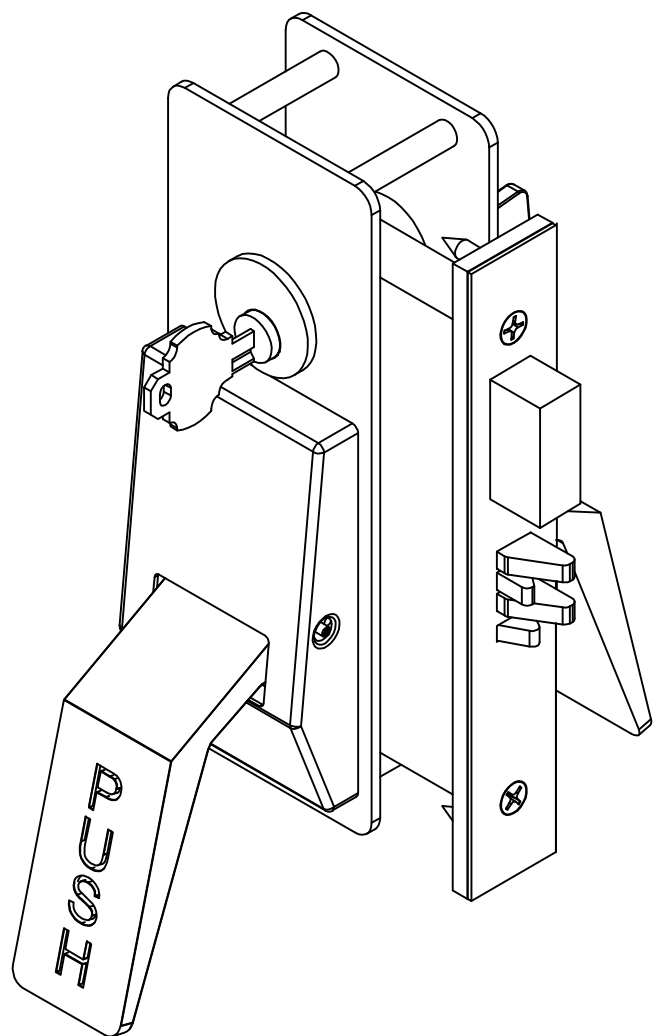


1562M W/ CYLINDER LAYOUT
BOTH LEVERS DOWN
55 FUNCTION

1562M W/ THUMBTURN LAYOUT
BOTH LEVERS DOWN
30 FUNCTION



1562M W/ PASSAGE LAYOUT
BOTH LEVERS DOWN
10 FUNCTION



1562M W/ THUMBTURN AND CYLINDER LAYOUT
BOTH LEVERS DOWN
65 FUNCTION

NOTE: This template is provided for use only on the job for which it was requested.
Trimco reserves the right to make design changes without notice. Trimco will
not be responsible for errors or damage caused by the use of out-of-date templates.

DATE
09/08/15