

TEMPLATE NO.

17731  
SHT 1 OF 1



3528 Emery Street  
PO BOX 23277  
Los Angeles, CA 90023-0277  
(323)262-4191 www.trimcobbw.com  
email:info@trimcobbw.com

PRODUCT

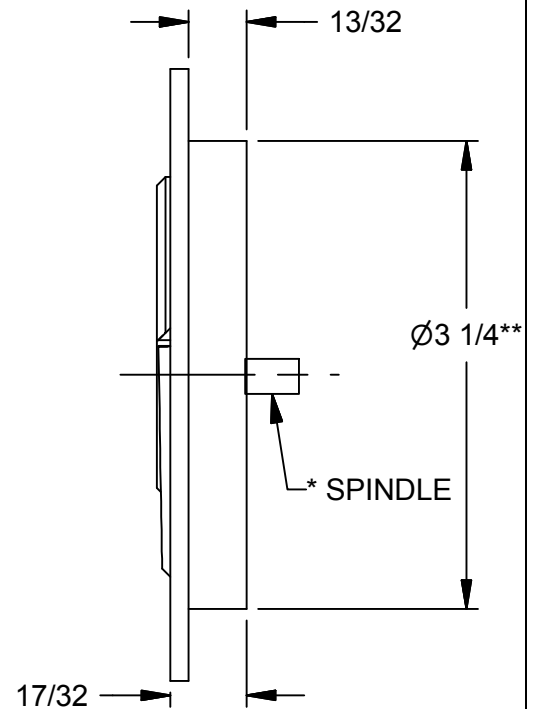
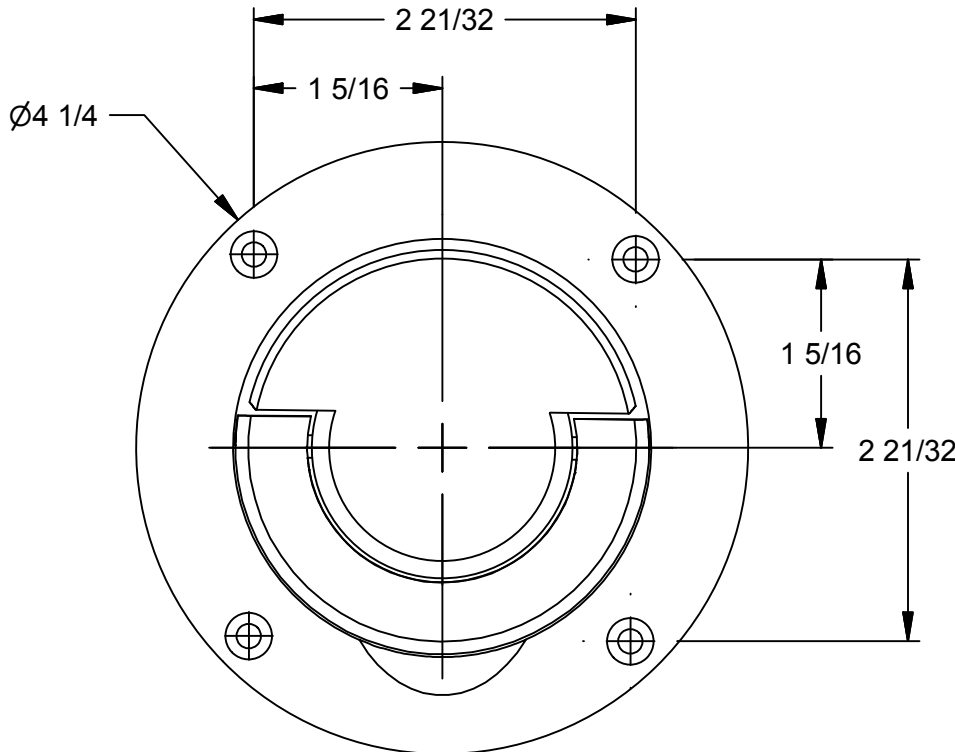
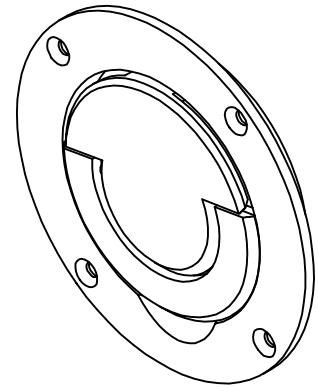
1068 FLUSH PULL

SPECIFY MORTISE LOCK BEING MATED TO  
DUMMY OPTION AVAILABLE  
CAN BE MATED TO SPLIT SPINDLE OPERATED LATCH BOLT  
DO NOT PRE-DRILL SCREW HOLES

SUPPLIED WITH FOUR (4) #8 X 1 OVAL HEAD, PHILLIPS DRIVE SHEET METAL MOUNTING SCREWS AND FOUR (4) #8 X 5/8 OVAL HEAD, PHILLIPS DRIVE SHEET METAL MOUNTING SCREWS.

\*\* - DIMENSION SHOWN IS THE SIZE OF THE PART. FOR MOUNTING HOLE PREP DIAMETER OF HOLE SHOULD BE 1/16" LARGER.

PART NUMBER	SPINDLE SIZE (SPINDLE SHOWN IN ILLUSTRATION BELOW)
1068	9/32 SQUARE
1068-516	5/16 SQUARE
1068-38	3/8 SQUARE



\* SPECIFY SPINDLE SIZE  
9/32, 5/16, 3/8  
ON SQUARE □  
ON DIAMOND ◇

NOTE: This template is provided for use only on the job for which is was requested. Trimco reserves the right to make design changes without notice. Trimco will not be responsible for errors or damage caused by the use of out-of-date templates.

DATE

12/08/09