

TEMPLATE NO.

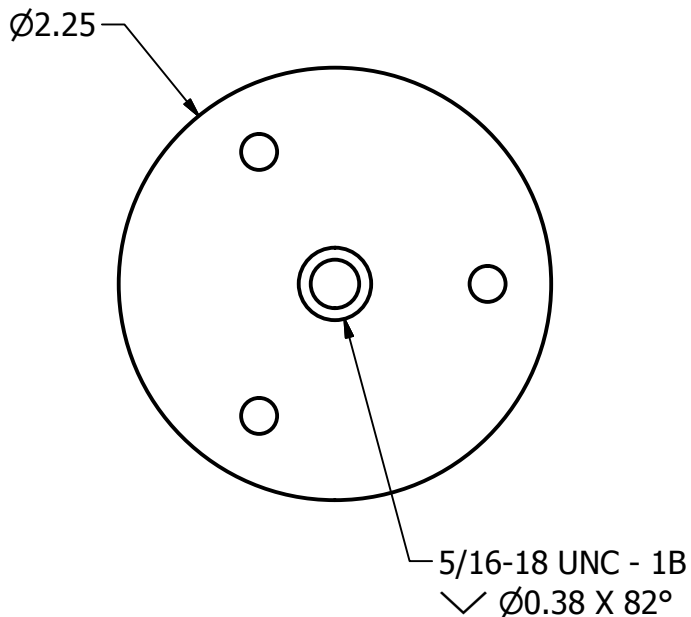
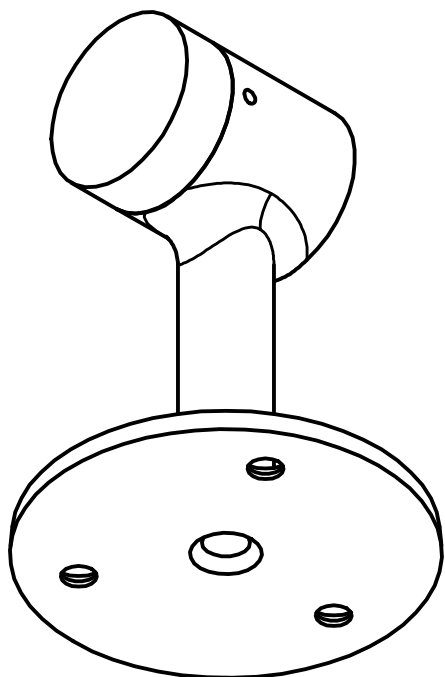
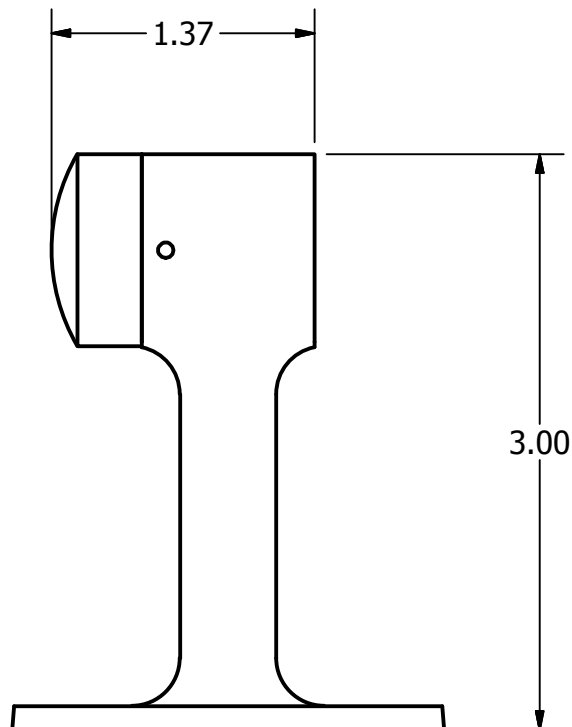
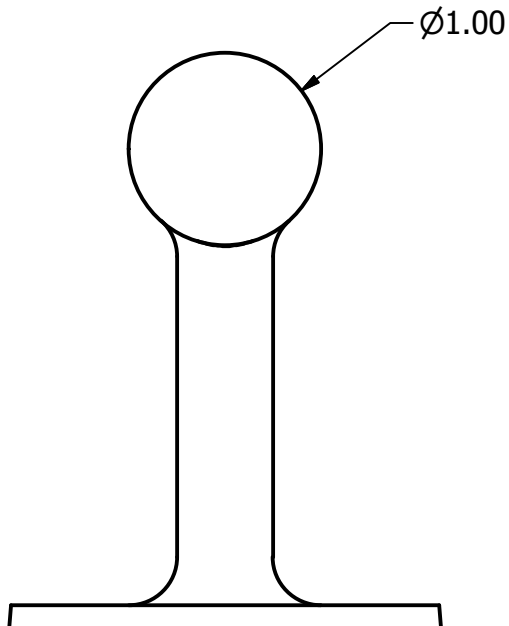
17468
SHT 1 OF 1



3528 Emery Street
PO BOX 23277
Los Angeles, CA 90023-0277
(323)262-4191 www.trimcobbw.com
email:info@trimcobbw.com

PRODUCT

1200 & 1200CK
FLOOR STOP TEMPLATE



PART NUMBER 1200

PART NUMBER 1200CK

SUPPLIED WITH:

- THREE #8 X 1 1/4" OVAL HEAD, PHILLIPS DRIVE MOUNTING SCREWS
- THREE #8 X 7/8" PLASTIC BANTAMS

SUPPLIED WITH:

- THREE #8 X 1 1/4" FLAT HEAD, TORX SECURITY MOUNTING SCREWS
- THREE #8 X 7/8" PLASTIC BANTAMS

REVISION RECORD:
CONVERTED TABLE TO LISTINGS, ADDED PLASTIC BANTAMS, SUPERCEDES 17 FEB 2006, 8/27/14, SGH/JG

NOTE: This template is provided for use only on the job for which is was requested. Trimco reserves the right to make design changes without notice. Trimco will not be responsible for errors or damage caused by the use of out-of-date templates.

DATE

08/27/14