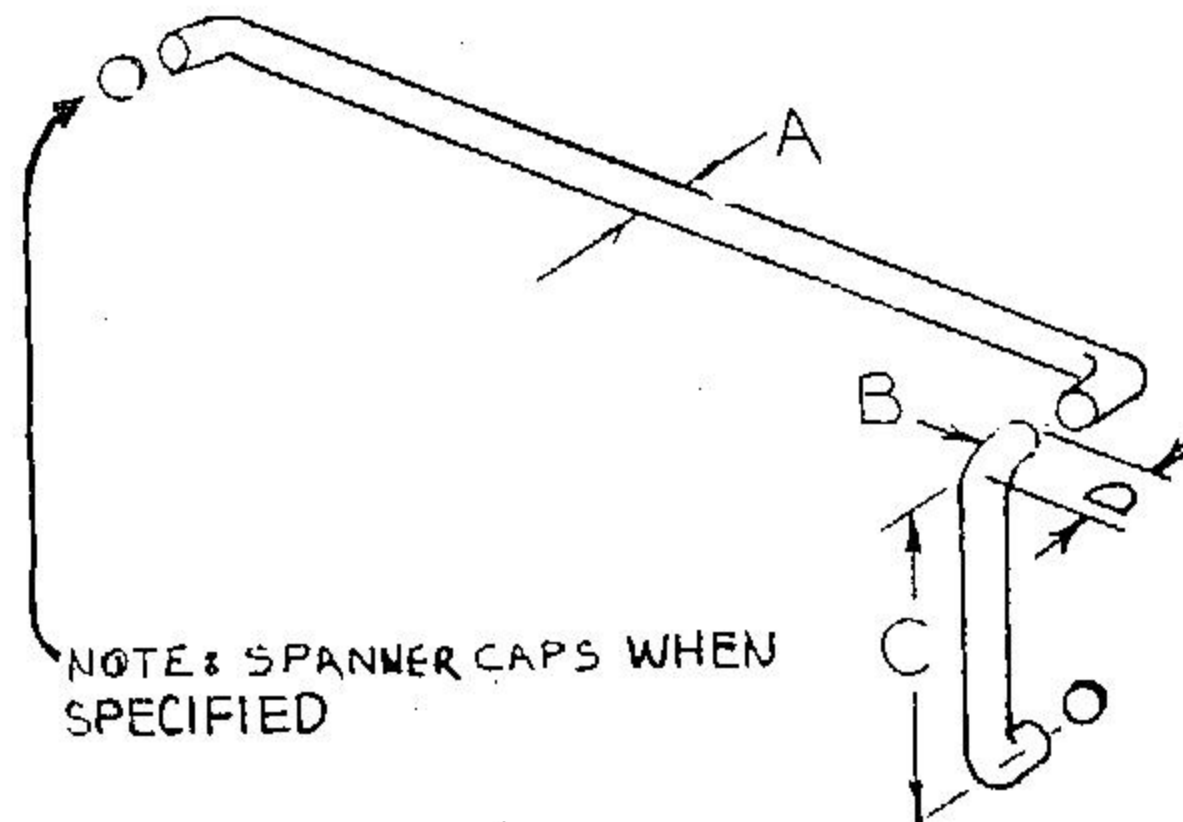


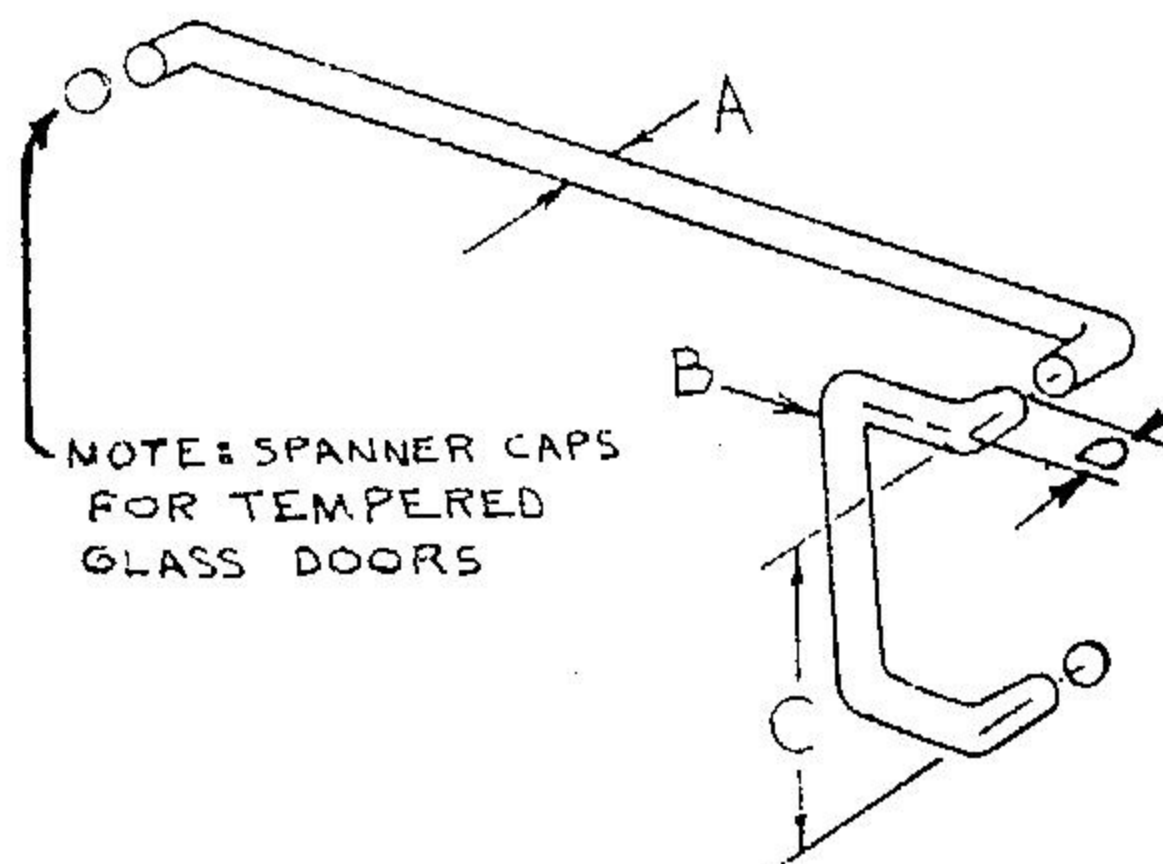
REVISED 1-3-96 *DL* REVISED 9-22-95 *DL* REVISED : 8-22-95 A REVISED : 1-13-87
 REVISED 1-10-03 *DL*

TRIMCO	A	B	C	D
PUSH/PULL	DIA.	GRIP P/N	GRIP CTC	PROJ.
1728	3/4	1194-2	8"	2-5/8"
1729	3/4	1194-3	10"	2-5/8"
1730	3/4	1194-4	12"	2-5/8"
1731	1	1195-2	10"	3"
1732	1	1195-3	12"	3"
1733	1	1195-6	18"	3"
1746	1-1/4	1743	18"	3-1/2"
1746-1	1-1/4	1195-6J	12"	3-1/2"



NOTE: PUSH BAR CTC—SPECIFY

TRIMCO	A	B	C	D
PUSH/PULL	DIA.	GRIP P/N	GRIP CTC	PROJ.
1734	3/4	1191-1	8"	3-1/4"
1735	3/4	1191-2	10"	3-1/4"
1736	3/4	1191-12	12"	3-1/4"
1737	1	1191-3	10"	3-1/4"
1738	1	1191-4	12"	3-1/4"
1739	1	1191-5	18"	3-1/4"
1747	1-1/4	1744	18"	3-3/4"
1747-1	1-1/4	1191-4J	12	3-3/4"



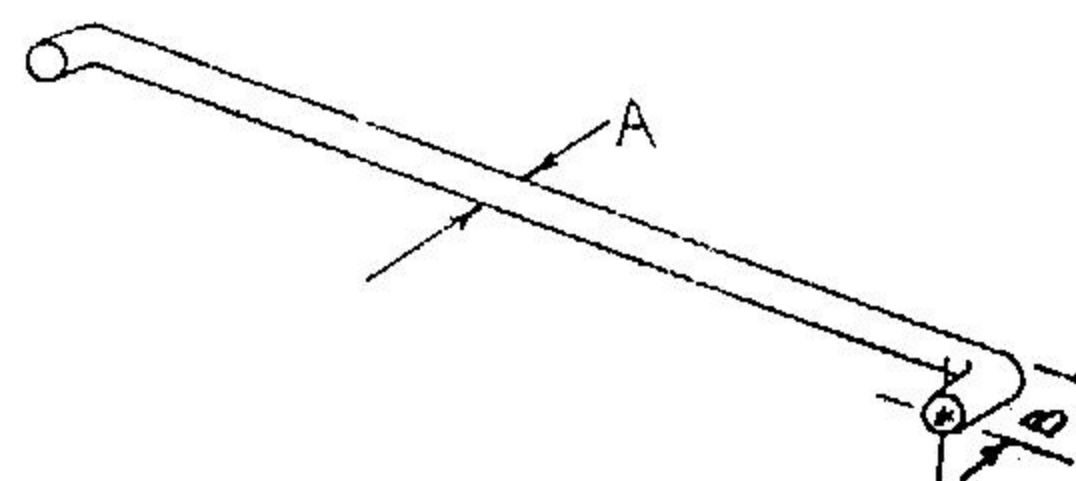
NOTE: PUSH BAR CTC—SPECIFY

NOTE

SPECIFY CTC AND DOOR THICKNESS IF OTHER THAN 1-3/4"

SEE MOUNTING METHODS FOR MOUNTING ALTERNATIVES

TRIMCO	A	B
PUSH	DIA.	PROJ.
1740	3/4	3-1/4"
1741	1	3-1/4"
1745	1-1/4"	3-1/2"



NOTE: CTC—SPECIFY

NOTE: SEE MOUNTING DETAILS

DWG NO. 11559

Book No. _____ Date Requested: _____

This template is provided for use only on the job for which it was requested. Trimco reserves the right to make design changes without notice.

Trimco / BBW
 Triangle Brass Manufacturing Company, Inc.
 3528 Emery Street, P.O. Box 23277
 Los Angeles, CA 90023, USA

1700 SERIES
 PUSH AND PULL BAR SETS
 DR. BY: L.R.