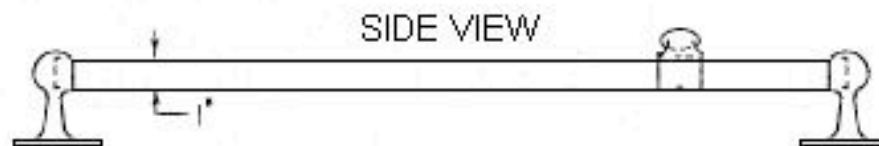
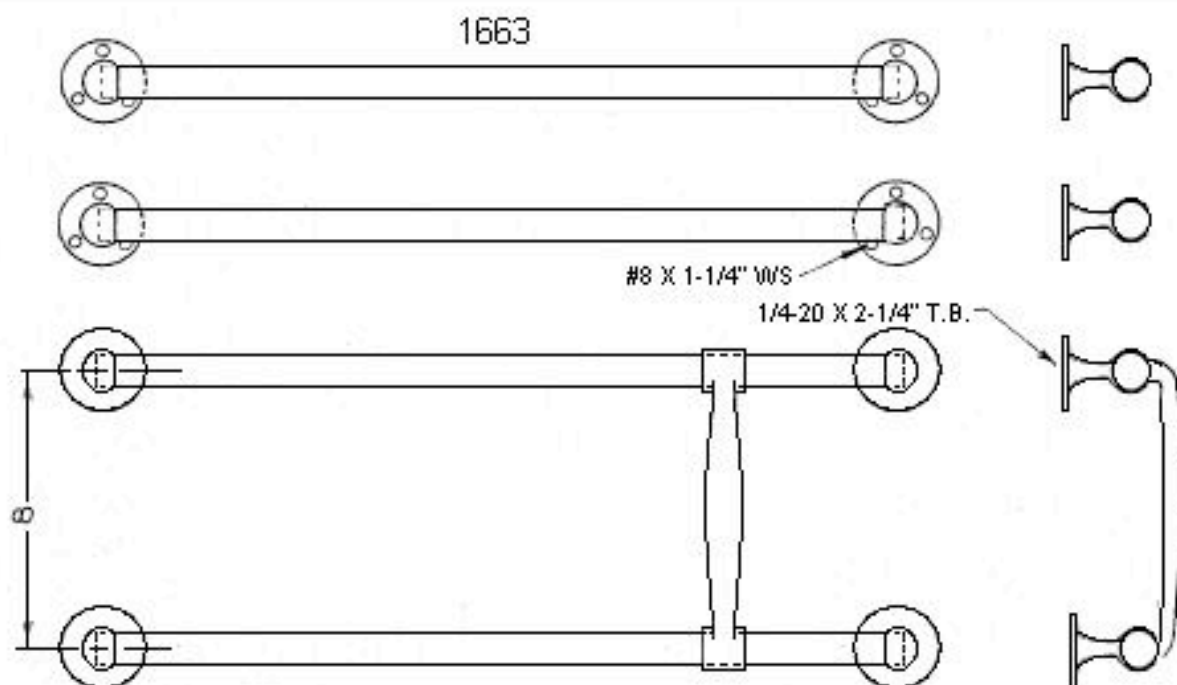
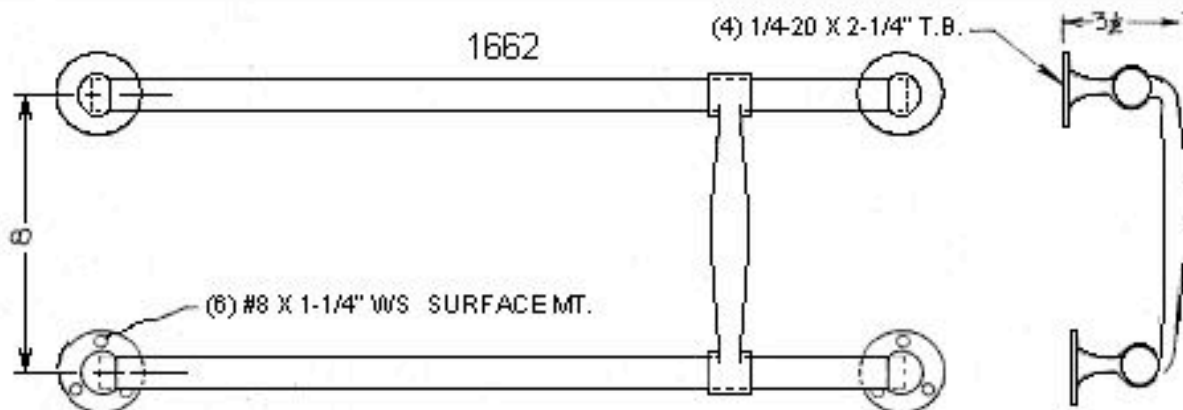
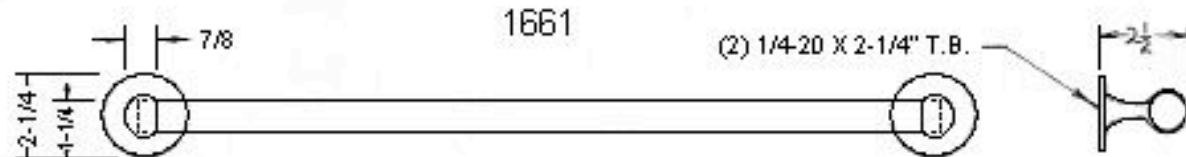


NOTE: 1. 1661 & 1662 AVAILABLE  
PREPPED FOR THRU-BOLT MOUNTING  
OR SURFACE MOUNTING, SPECIFY.

C REVISED: 9 - 17 - 95 IJS

A REVISED: 1 - 23 - 87

B REVISED: 8 - 22 - 95



NOTE: SPECIFY CTC

DWG. NO. 11555

**Trimco / BBW**  
Triangle Brass Manufacturing Company, Inc.  
3528 Emery Street, P.O. Box 23277  
Los Angeles, CA 90023, USA

1661, 1662, 1663  
PUSH BAR

DR. BY: L.R.