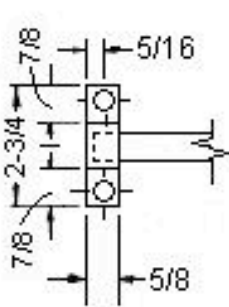
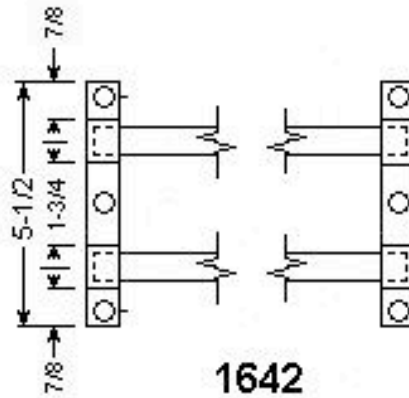
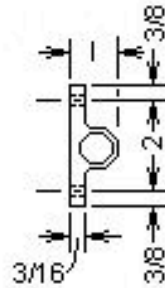


A REVISED: 1 - 23 - 87

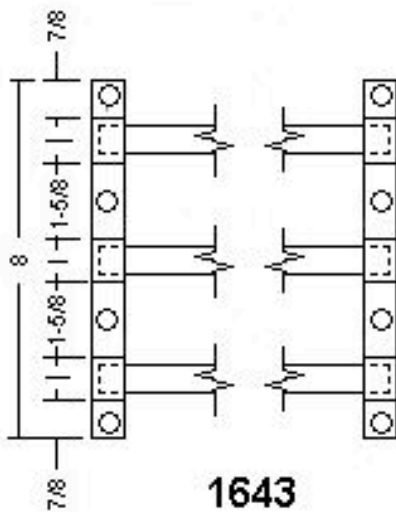
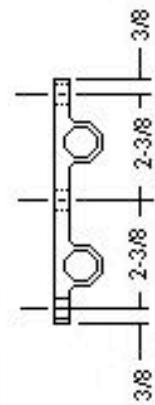
B REVISED: 8 - 22 - 95



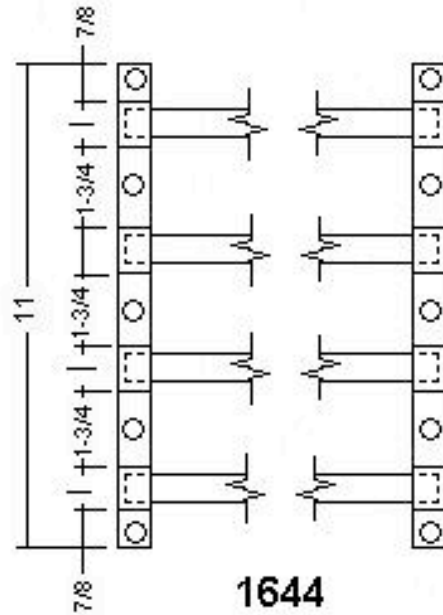
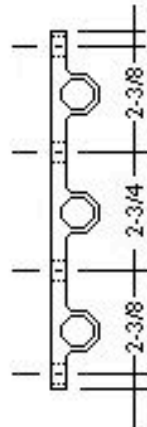
1641



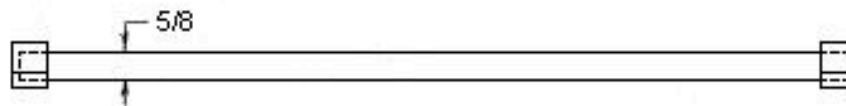
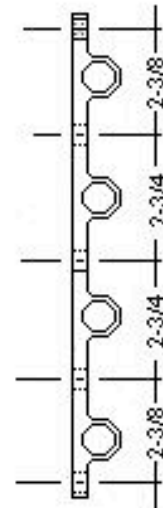
1642



1643



1644



SIDE VIEW

NOTES:

1. ALL ITEMS ABOVE COME WITH #8 X 1-1/4" OH PH SMS
2. SPECIFY CTC

DWG. NO. 11554



LOS ANGELES, CA

1641, 1642, 1643, 1644
PUSH BAR

DWN BY: L. R.

TRIMCO RESERVES THE RIGHT
TO MAKE DESIGN CHANGES
WITHOUT NOTICE.