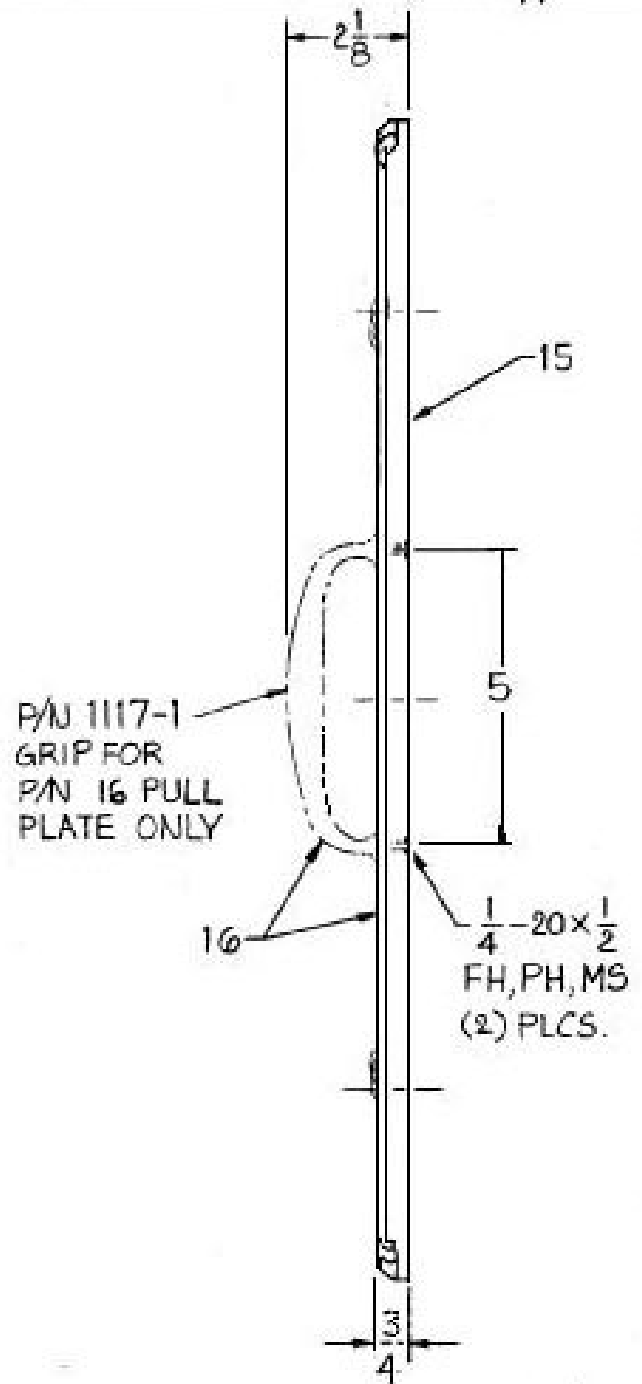
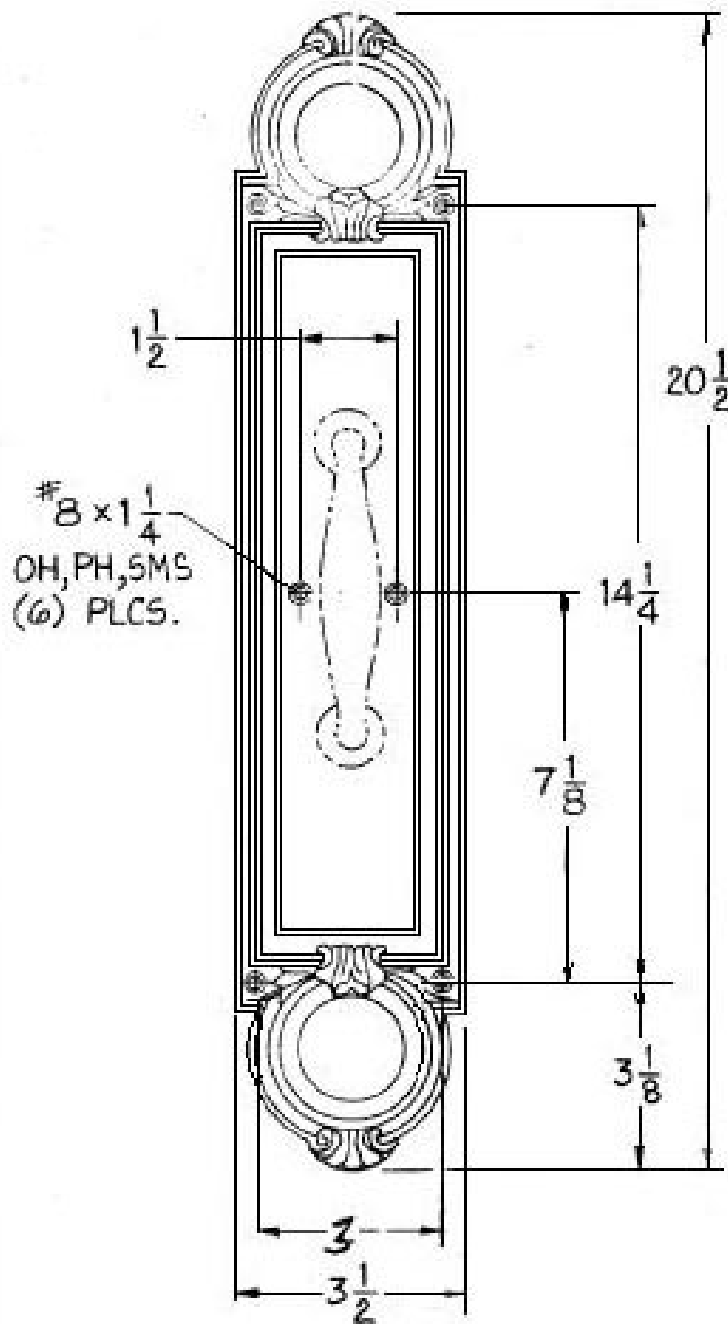


NOTES:  
1. DO NOT PREDRILL DOOR.

REVISIONS

LTR	DESCRIPTION	DATE	CHECKED
-	NEW DWG.	5-12-95	<i>[Signature]</i>



Book No.      Date Requested:  
This template is provided for use only on the job for which it was requested.  
Trimco/BBW reserves the right to make design changes without notice.

**Trimco / BBW**  
Triangle Brass Manufacturing Company, Inc.  
3528 Emery Street, P.O. Box 23277  
Los Angeles, CA 90023, USA

SCALE	NONE
DRAWN BY	TA. 5-12-95

TITLE	15, 16 CLASSIC PUSH & PULL PLATE
PART NO	
DWG. NO.	11454