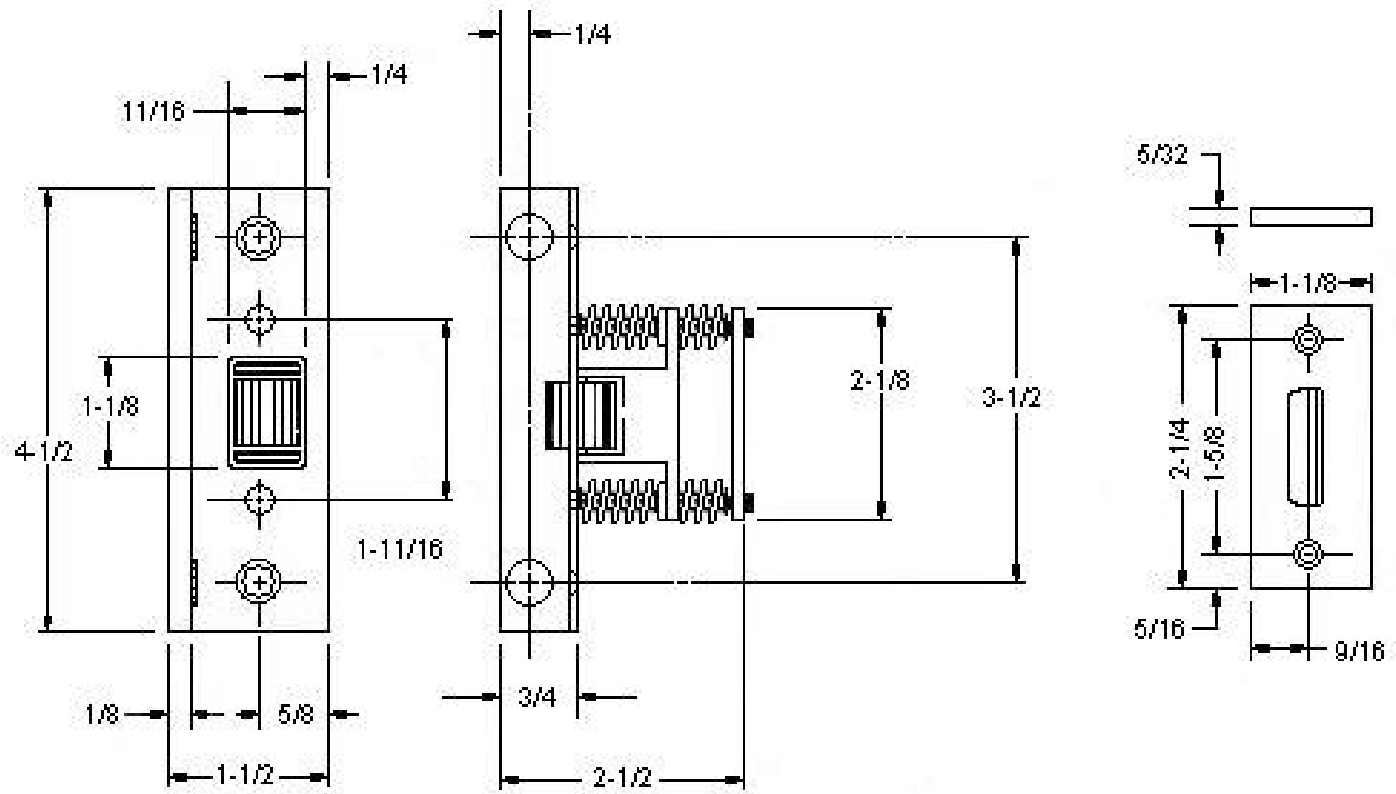


A	REVISED: 4 - 5 - 95
B	REVISED: 7 - 18 - 95
C	REVISED: 9 - 15 - 95



1559BL ROLLER LATCH / STOP

MODIFIED "A" STRIKE

SCREW DETAILS:

BL STRIKE: 2 - #8 x 3/4" FHWS/MS COMBO

LATCH: 2 - 10-24 X 1-1/2" FHMS (METAL DOORS)

2 - #10 X 1-1/4" FHWS (WOOD DOORS)

DWG. NO. 1 0 7 1 1



1559BL
ROLLER LATCH

DRAWN BY: ABC 7 - 25 - 90

TRIMCO RESERVES THE RIGHT
TO MAKE DESIGN CHANGES
WITHOUT NOTICE.