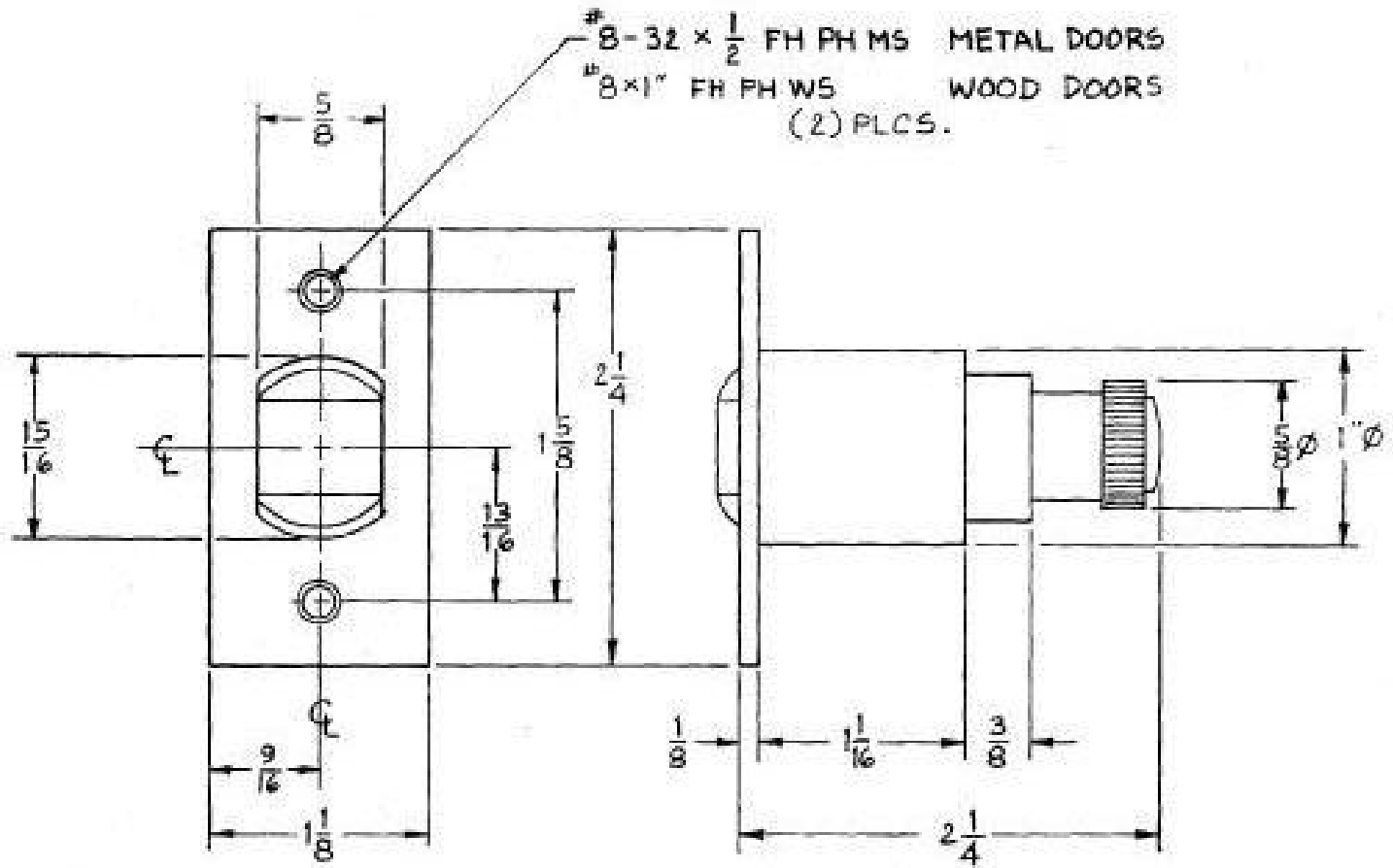


NOTES:

REVISIONS

LTR	DESCRIPTION	DATE	CHECKED
---	NEW DRAWING	1-14-95	IJS



NOTE: This product is normally supplied with a "B" strike. Also, there is an alternate "A" and "C" strike avail.

DWG. NO. 11367



LOS ANGELES, CA

1554 (BBW P/N 194)
ROLLER LATCH (161 PREP)

TRIMCO RESERVES THE RIGHT TO MAKE DESIGN CHANGES WITHOUT NOTICE

DRAWN BY: T A

1 13 95