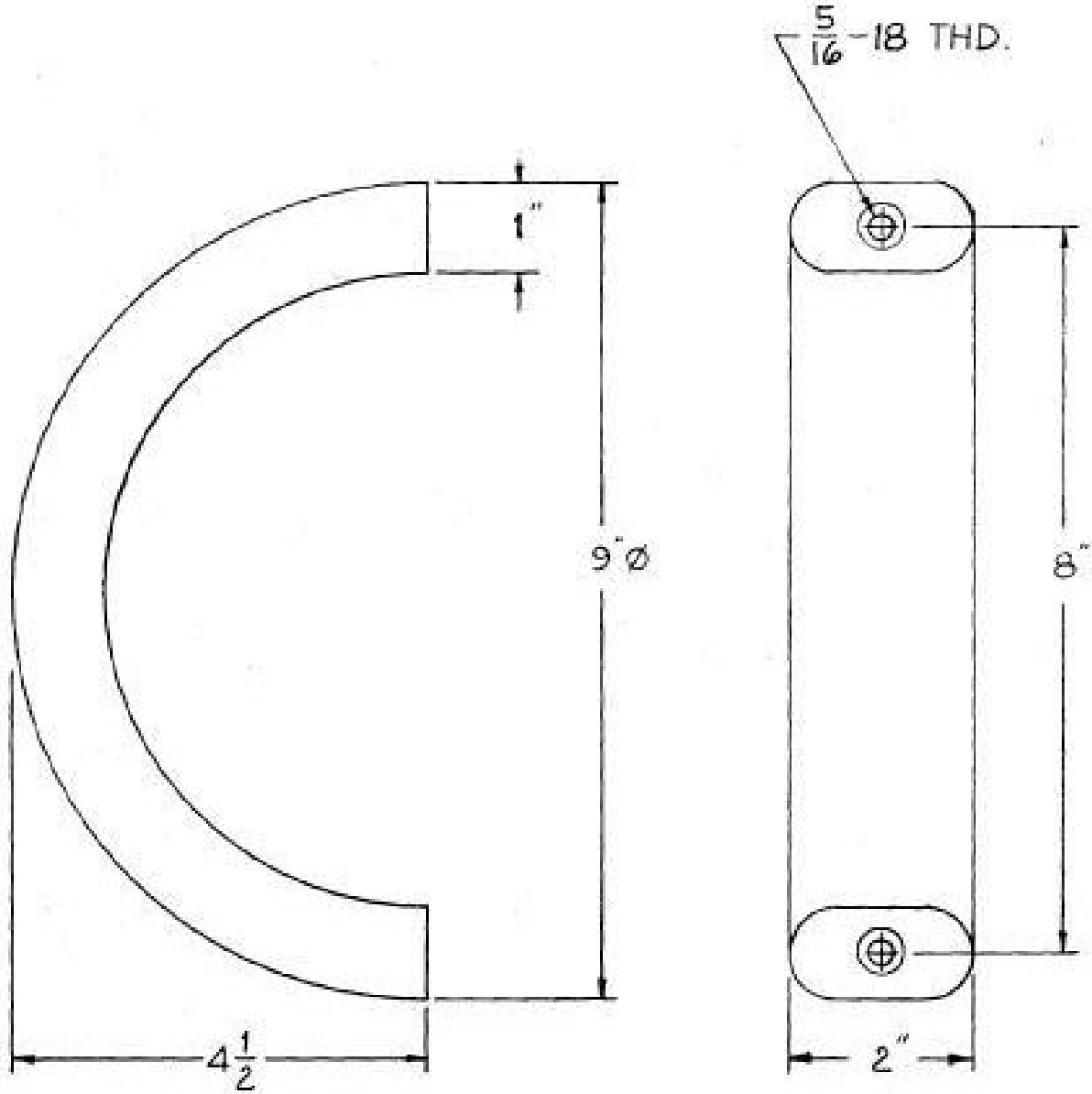


NOTES:  
1. SEE MOUNTING METHODS.

REVISIONS

LTR	DESCRIPTION	DATE	CHECKED
—	NEW DWG.	6-21-95	<i>[Signature]</i>



Book No. \_\_\_\_\_ Date Requested: \_\_\_\_\_  
 This template is provided for use only on the job for which it was requested.  
 Trimco/BBW reserves the right to make design changes without notice.

**Trimco / BBW**  
 Triangle Brass Manufacturing Company, Inc.  
 3528 Emery Street, P.O. Box 23277  
 Los Angeles, CA 90023, USA

SCALE \_\_\_\_\_  
 DRAWN BY T.A. 6-21-95

TITLE  
 1370  
 MASTERPIECE PULL  
 PART NO \_\_\_\_\_  
 DWG. NO. 11482