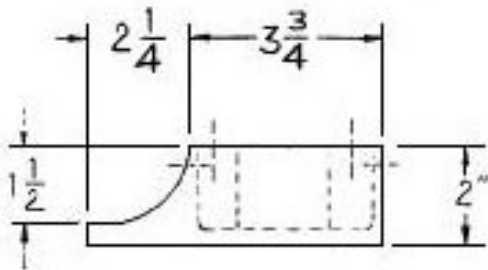


NOTES:

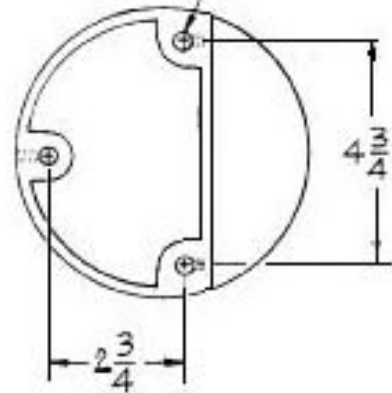
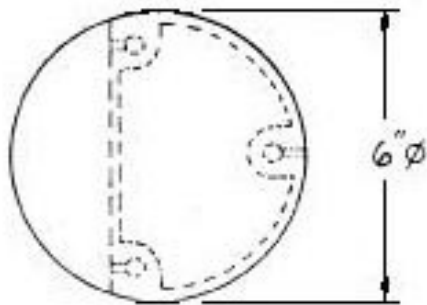
1. DO NOT PREDRILL DOOR

REVISIONS

LTR	DESCRIPTION	DATE	CHECKED
-	NEW DWG.	6-16-95	<i>[Signature]</i>



5/16-18 THD.  
OR  
1/2 Ø BORE FOR  
CONCEALED  
MOUNTING



Book No.      Date Requested:  
This template is provided for use only on  
the job for which it was requested.  
Trimco/BBW reserves the right to make  
design changes without notice.

**Trimco / BBW**  
Single Piece Manufacturing Company, Inc.  
3528 Emery Street, P.O. Box 23277  
Los Angeles, CA 90023, USA

SCALE

TITLE

1360

MASTERPIECE PULL

PART NO

DRAWN BY T.A. 6-16-95

A DWG. NO. 11477