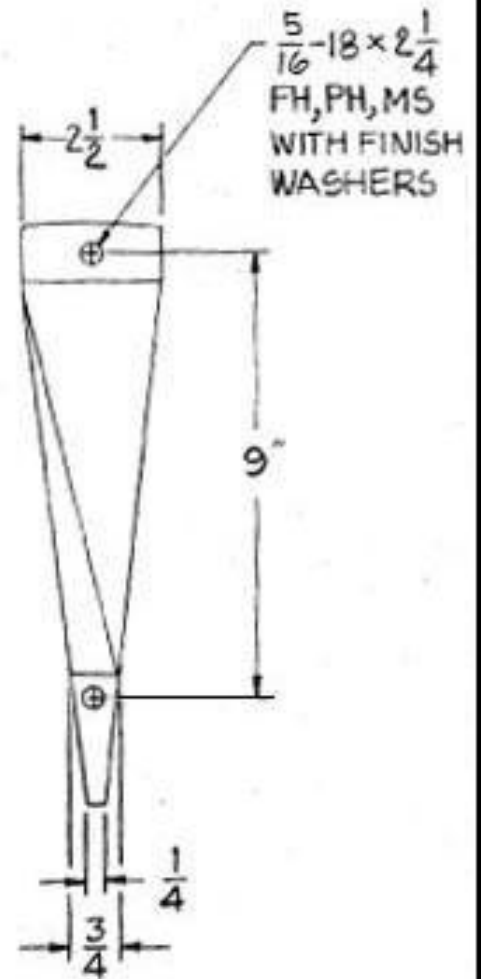
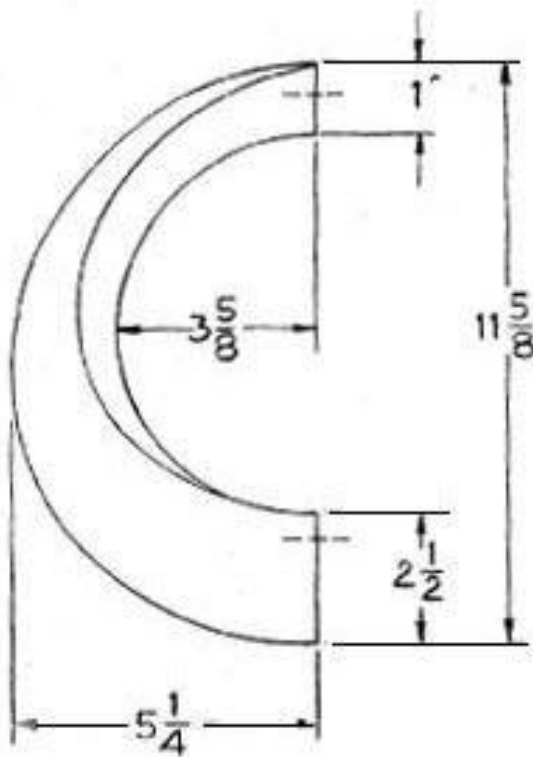


NOTES:

1. SEE MOUNTING METHODS.

REVISIONS

LTR	DESCRIPTION	DATE	CHECKED



1350 R SHOWN
 1350 L OPPOSITE



LOS ANGELES, CA

SCALE

TITLE 1350L 1350R
 MASTERPIECE PULL

PART NO

DRAWN BY T.A. 6-7-95

A DWG. NO. 11471