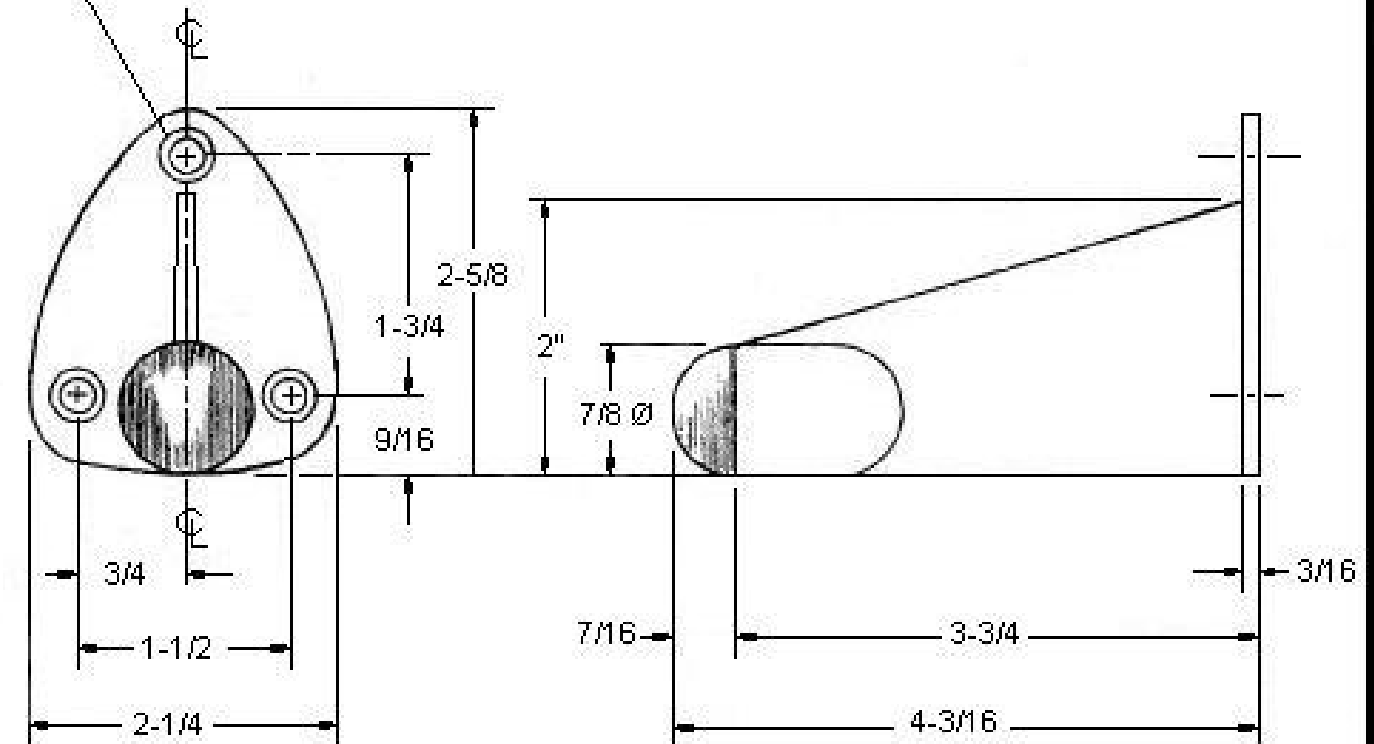


NOTES:

REVISIONS

LTR	DESCRIPTION	DATE	CHECKED
—	NEW DWG.	1-11-95	<i>[Signature]</i>

#14 x 1-1/2" FH, PH, SMS
 1/4-20 x 3/4" FH, PH, MS
 (3 PLACES)



Trimco / BBW
 Trimco Brass Manufacturing Company, Inc.
 3528 Emery Street, P.O. Box 23277
 Los Angeles, CA 90023, USA

1298
 DOOR STOP

DWN BY: T. A. 1-11-95

DWG NO. 1 1 3 0 3

TRIMCO RESERVES THE RIGHT
 TO MAKE DESIGN CHANGES
 WITHOUT NOTICE.