

TEMPLATE NO.

18960
SHT 1 OF 1



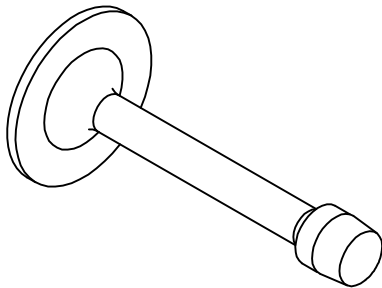
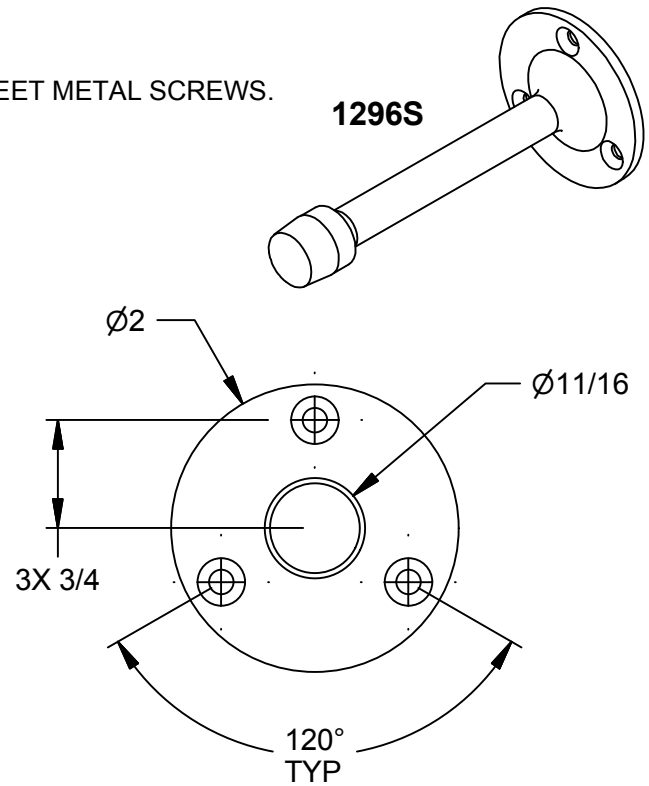
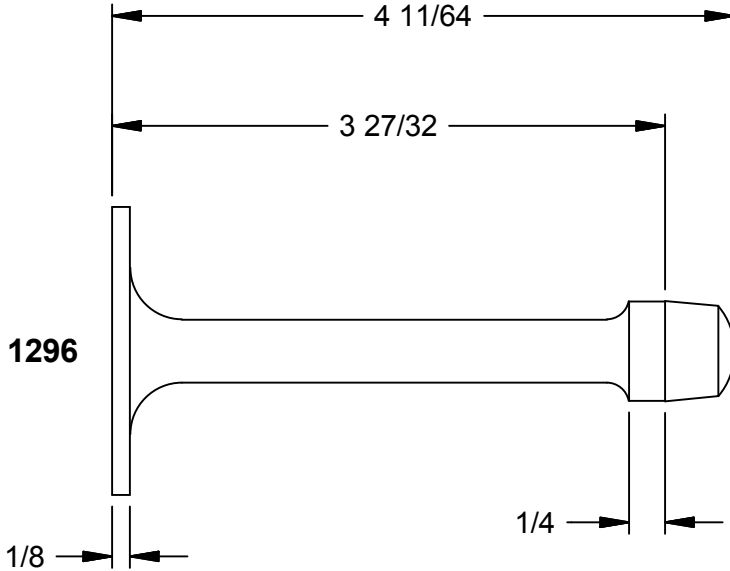
3528 Emery Street
PO BOX 23277
Los Angeles, CA 90023-0277
(323)262-4191 www.trimcobbw.com
email:info@trimcobbw.com

PRODUCT

1296 & 1296S
BASE STOP

1296S

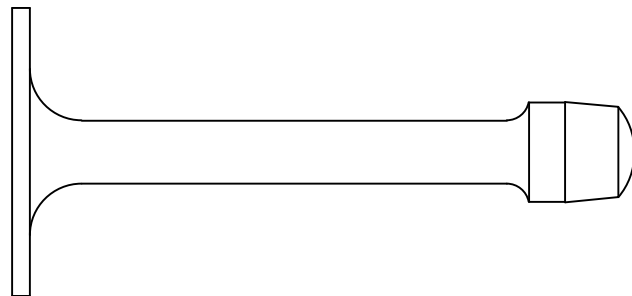
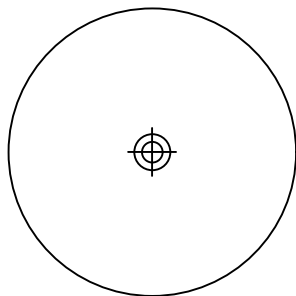
MOUNTING HARDWARE: THREE (3) #8 X 1-1/4 OVAL HEAD SHEET METAL SCREWS.



1296

(SAME DIMENSIONS AS 1296S EXCEPT MOUNTING HOLES)

MOUNTING HARDWARE: 10-24 X 1-1/4 HANGER BOLT



11/19/13 Rev supercedes 10/22/08 Rev: Clarified 1296/1296S descriptions, 4 11/64 was 45/16, MF/JG
(3) #8 X 1-1/4 OVAL HEAD SHEET METAL SCREWS WAS: (3) #8 X 1-1/4 FLAT HEAD SHEET METAL SCREWS, SGH/JG, 12/02/13

NOTE: This template is provided for use only on the job for which is was requested. Trimco reserves the right to make design changes without notice. Trimco will not be responsible for errors or damage caused by the use of out-of-date templates.

DATE

12/02/13