

TEMPLATE NO.

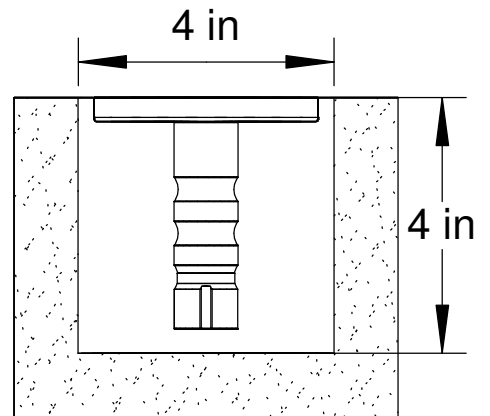
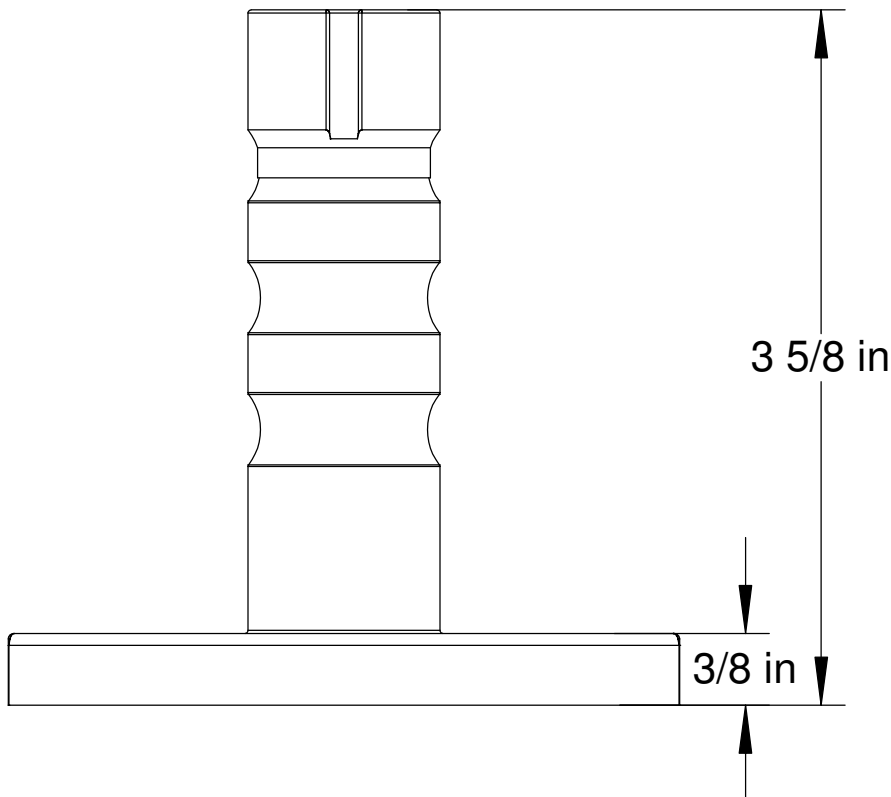
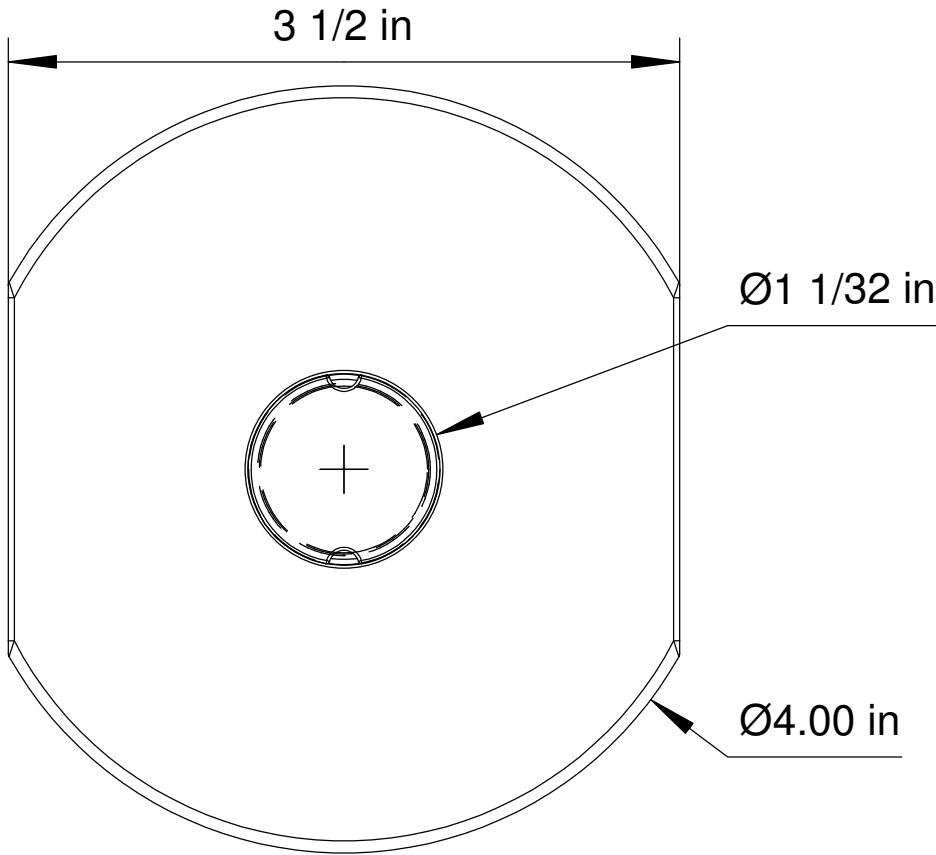
17061



3825 Emery Street
PO Box 23277
Los Angeles, CA 90023-0277
(323) 262-4191
www.trimcobbw.com

PRODUCT

1268



INSTALLATION:

1. CORE A 4" HOLE IN CONCRETE 4" DEEP.
2. FILL WITH QUICK DRYING CEMENT OR EPOXY.
3. PUSH ANCHOR PLATE IN HOLE UNTIL TOP OF 4" DIAMETER PLATE IS FLUSH WITH SURFACE OF FLOOR.

NOTE: This template is provided for use only on the job for which it was requested. Trimco reserves the right to make design changes without notice. Trimco will not be responsible for errors or damage caused by the use of out-of-date templates.

DATE

4/5/04